

VIOLETTE MATTE SOLID SURFACE VESSEL SINK

SKU: 250926
Code: SH250926



FEATURES

Material: Solid Surface
Product Finish: Matte White
Installation Type: Vessel
Shape: Specialty
Drain Placement: Center
Fits Drain Hole Size: 1-1/2"
Faucet Centers: No Faucet Hole
Overflow Hole: No
Mounting Hardware Included: No

IAPMO, CSA B45.5/IAPMO Z124, LISTED ID: 525216



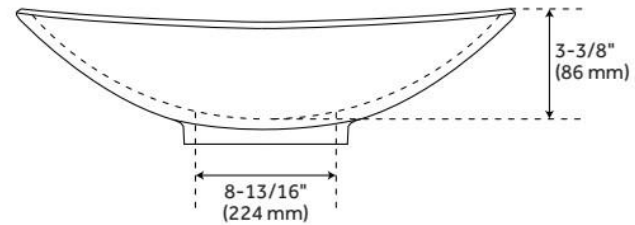
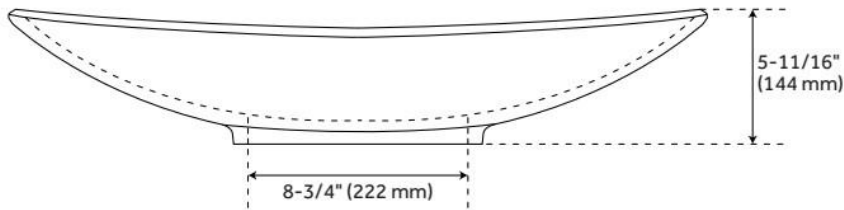
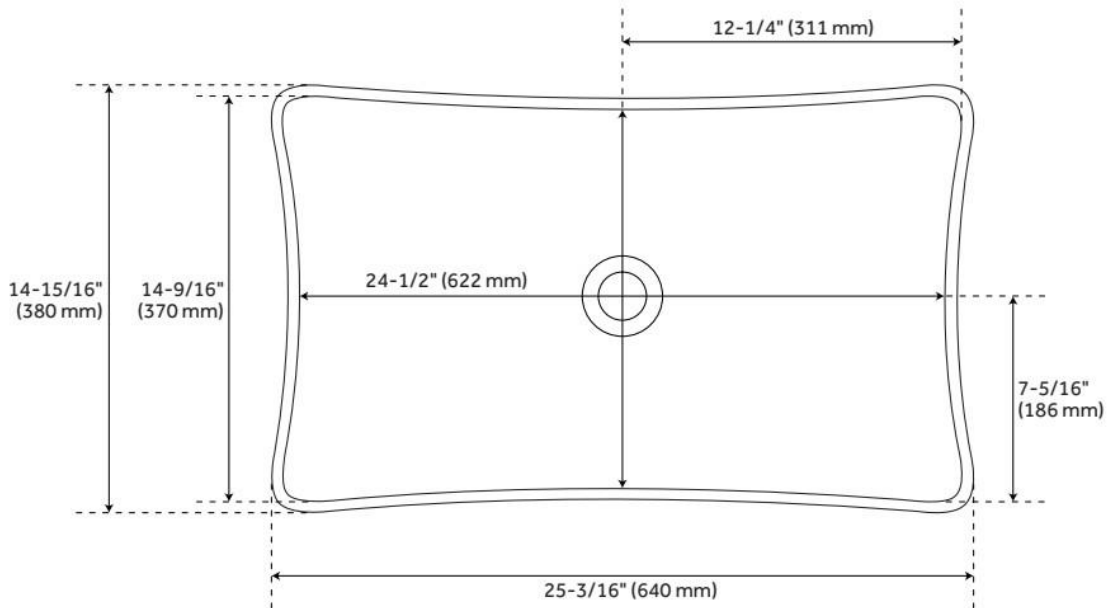
ADDITIONAL FEATURES

- Overall dimensions: 25-1/2" L x 15-5/8" W (front to back) x 5" H ($\pm 1/2"$).
- Sink is finished on all sides.
- Made of a poly-resin blend.
- Sink material is solid and the same color throughout.
- Matte finish is easy to maintain and repair, if needed.
- Uses 1-1/2" lavatory drain.
- When purchasing a vessel sink faucet, ensure the height to spout and spout reach will accommodate your sink.

REVISED 7/9/2024

VIOLETTE MATTE SOLID SURFACE VESSEL SINK

SKU: 250926
Code: SH250926



REVISED 7/9/2024