

# HAMMERED COPPER DOUBLE-BOWL DROP-IN CORNER SINK

SKU: 262561  
Code: SH262561



## FEATURES

Material: Copper  
Product Finish: Copper  
Installation Type: Drop-In  
Shape: Specialty  
Drain Placement: Center  
Fits Drain Hole Size: 3-1/2"  
Faucet Centers: Single-Hole  
Overflow Hole: No  
Mounting Hardware Included: No

Optional Accessory: Strainer: SH402277, SH402283, SH402288,  
SH406049, SH402262, SH402266

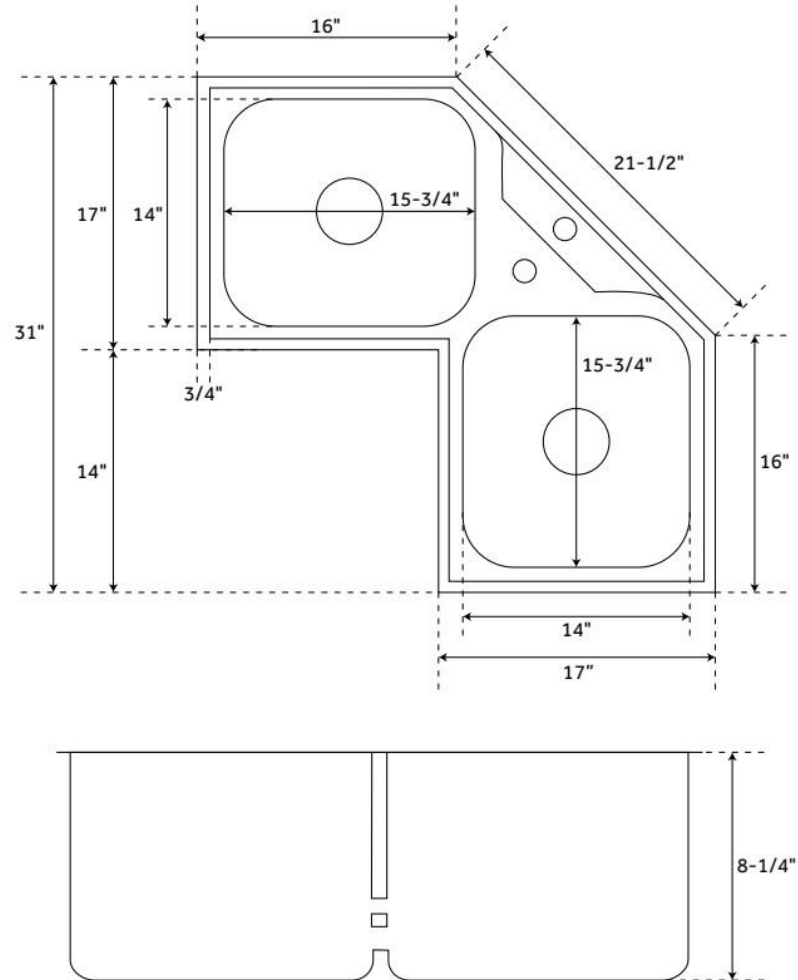
## ADDITIONAL FEATURES

- Made of solid copper.
- Hammered interior with smooth, raised rim.
- Sink bowls are pressed, and contain no internal welds.
- Hand-polished finish.
- Patina applied using French hot process, so color is ingrained in the copper.
- Single-hole faucet drilling.
- Features extra faucet hole for adding a sprayer or soap/lotion dispenser.
- Rounded inside corners for easy cleaning.
- Angled bottom facilitates water drainage.

REVISED 7/12/2024

# HAMMERED COPPER DOUBLE-BOWL DROP-IN CORNER SINK

SKU: 262561  
Code: SH262561



REVISED 7/12/2024