



# 3-WAY THERMOSTATIC VALVE INSTALLATION

## BEFORE YOU BEGIN

We recommend consulting a professional if you are unfamiliar with installing plumbing fixtures. Signature Hardware accepts no liability for any damage to the plumbing, floor, walls, tub, or for personal injury during installation.

Observe all local plumbing and building codes.

Unpack and inspect the items for shipping damage. If any damage is found, contact our Customer Relations team at 1-855-715-1800.

## GETTING STARTED

- Ensure that you have gathered all the required materials that are needed for the installation.
- For the following installation instructions, it is assumed that the wall has been opened and that the existing shower set has been removed.
- Before you begin, the main water supply to your home should be shut off.

## TOOLS AND MATERIALS:



Plumbers  
Tape



Adjustable  
Wrench



Phillips  
Screwdriver



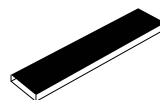
Tape Measure



Drill



Hex Wrench



Wood Blocking



Soldering Kit  
(for copper pipe)\*



1/2" Test Plug



Level



Pencil or  
Marker

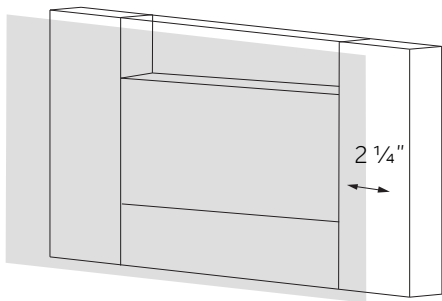


# 3-WAY THERMOSTATIC VALVE INSTALLATION

## Step 1: Valve Installation

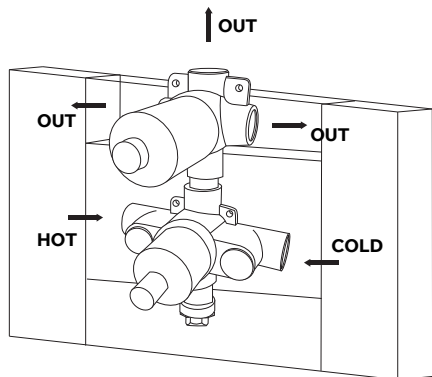
1. To prepare for installation, wood blocking should be installed between the two studs where the valve will mount. The wood blocking will need to be installed 2 ¼"-2 ¾" behind the finished wall.

**Important:** Take into consideration the thickness of the finished wall materials, such as tile, when calculating measurements.



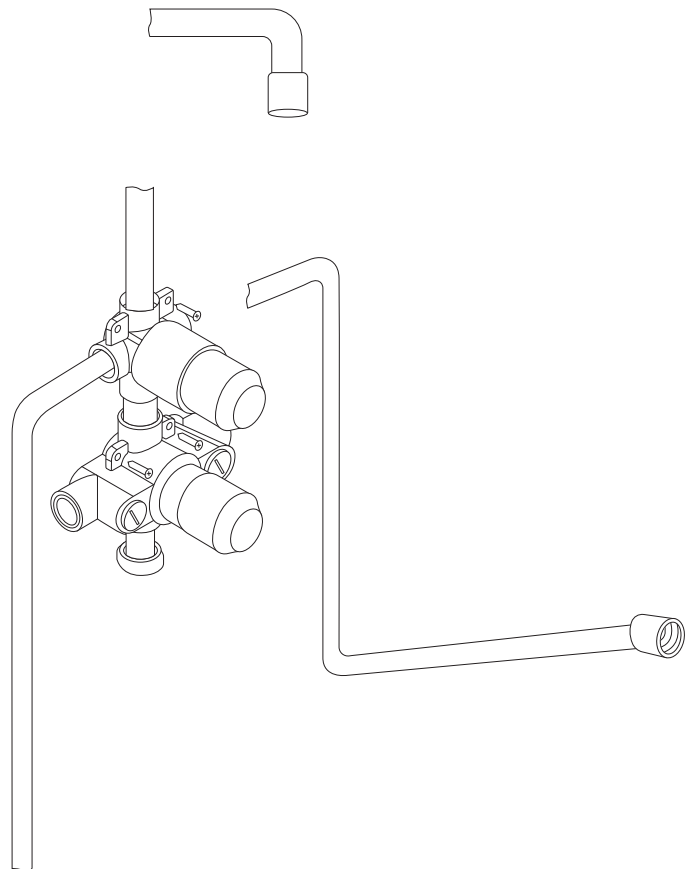
2. Secure the valve to the prepared wood blocking using the provided hardware. Ensure that the "cold" inlet is pointing to the right, and the "hot" inlet is pointing to the left. Use a level to ensure that the valve is straight and level.

**Tip:** Leave the protective sleeves on the valve stems until your finished wall is complete, and you are ready to install the trim pieces.



3. Route, assemble, and connect all in-wall piping as desired to and from the shower valve. Make all connections appropriately depending upon the type of pipe that is being used. For copper pipe, soldering will be required and should be completed by a licensed plumber. Apply plumber's tape to any threaded connections if applicable. Install any wood blocking that is necessary to support the piping and valve.

**Important:** This valve contains a 3-way diverter. Shower functions routed to the 3-way diverter will not be able to be used simultaneously.

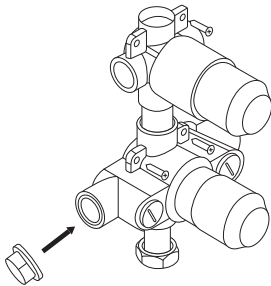




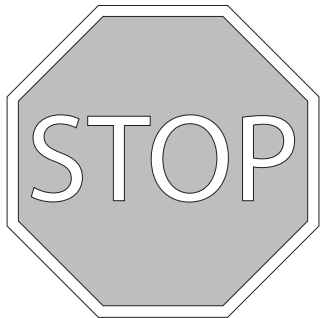
# 3-WAY THERMOSTATIC VALVE INSTALLATION

4. Once all piping is routed and connections have been made, use the provided 1/2" test plug to perform a water pressure test. Turn on the main water supply to the home and water test the installed plumbing. Ensure that there are no leaks, then shut the water off. Remove the test plug.

**Note:** Water pressure testing should be performed by a licensed plumber if you are not familiar with this procedure.

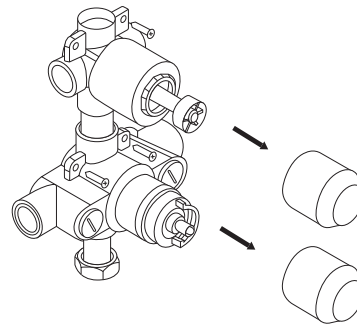


**IMPORTANT: COMPLETE THE CONSTRUCTION OF YOUR WALL, INCLUDING ANY FINISHED WALL MATERIALS SUCH AS TILE, BEFORE PROCEEDING WITH THE REMAINDER OF THE INSTALLATION.**



## Step 2: Trim Installation

1. Once the finished wall is complete, remove the protective sleeves from the valve stems. If the test plug has not yet been removed, remove that as well.



2. Slide the decorative back plate onto the valve. Ensure that the markings located above each opening on the back plate are facing up. Install the handles using the provided hex wrench.

