

64" NEVA SOLID SURFACE FREESTANDING TUB - MATTE FINISH

SKU: 328611
Code: SH328611



FEATURES

Installation Type: Freestanding
Product Finish: White
Material: Solid Surface
Length: 64"
Width: 29-1/8"
Height: 22-1/4"
Water Depth To Overflow: 14-1/2"
Drain Included: Yes
Tub Overflow: Yes
Integral Drain & Overflow: Yes
Tub Interior Length: 45-1/2"
Tub Interior Width: 18"
Water Capacity (Gallons): 64
Weight: 366.03

ICC/ANSI A117.1
Massachusetts Accepted



REVISED 2/8/2024

64" NEVA SOLID SURFACE FREESTANDING TUB - MATTE FINISH

SKU: 328611
Code: SH328611

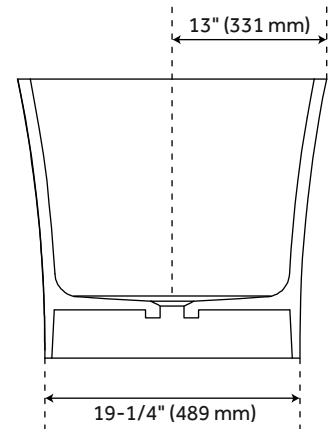
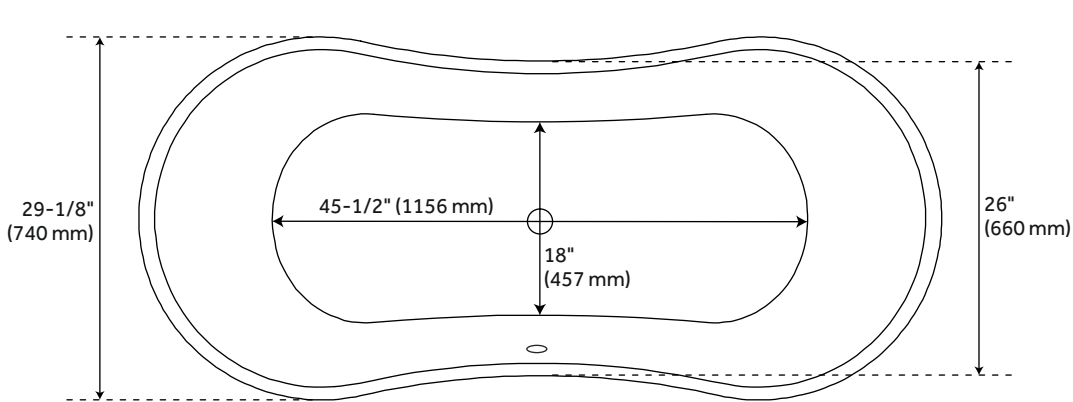
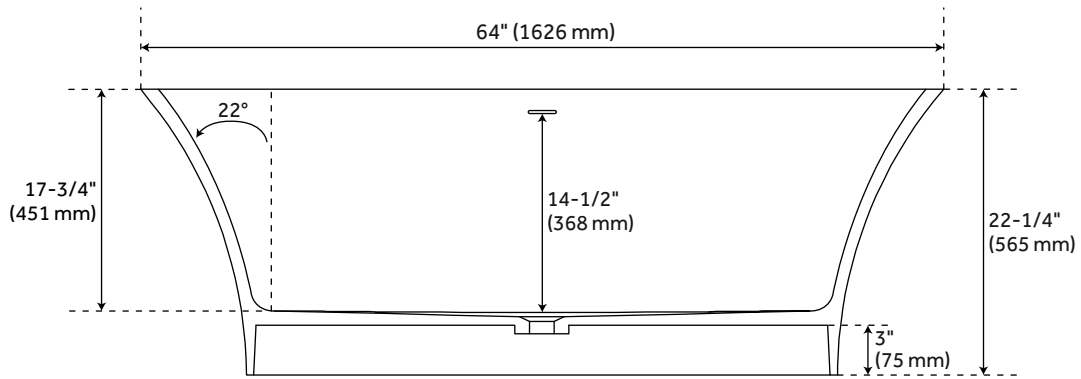


ADDITIONAL FEATURES

- Dimensions: 64" L x 29" W (front to back) x 22" H (± 1 ").
- Tub is 1" thick at rim.
- Tub material is solid and the same color throughout.
- Exterior matte finish is easy to maintain and repair, if needed.
- Optional Quick Connect Drop-In Drain Kit Includes:
 - Floor Plate, 1-1/2" PVC Pipe, 2" x 1-1/2" Trap Adapters, 1 Brass Threaded, 1 Brass Unthreaded Tailpiece and Plug.
 - Installs above your subfloor, but underneath your cement floor or tile, so you do not need access below the fixture.

REVISED 2/8/2024

64" NEVA RESIN FREESTANDING TUB - MATTE FINISH



All dimensions and specifications are nominal and may vary. Use actual products for accuracy in critical situations.