

59" KELEM SOLID SURFACE FREESTANDING TUB - MATTE FINISH

SKU: 328763
Code: SH328763



Massachusetts Accepted

FEATURES

Installation Type: Freestanding
Features: Integral Drain & Overflow
Design: Modern
Product Finish: White
Material: Solid Surface
Length: 59"
Width: 26-1/2"
Height: 21-1/2"
Water Depth To Overflow: 13-3/4"
Exterior Treatment: Matte
Interior Treatment: Smooth
Drain Included: Yes
Drain Finish: White Powder Coat
Faucet Included: No
Shape: Rectangle
Size: 59 in
Tub Overflow: Yes
Integral Drain & Overflow: Yes
Tub Material: Solid Surface
Tub Interior Length: 47"
Tub Interior Width: 19-1/2"
Tap Deck: No
Faucet Drillings: No Drillings
Water Capacity (Gallons): 54
Built-In Adjusters: Yes
Tub Weight Uncrated (lbs): 326
Tub Weight Crated (lbs): 436
Weight: 450.0000

REVISED 2/8/2024

59" KELEM SOLID SURFACE FREESTANDING TUB - MATTE FINISH

SKU: 328763

Code: SH328763

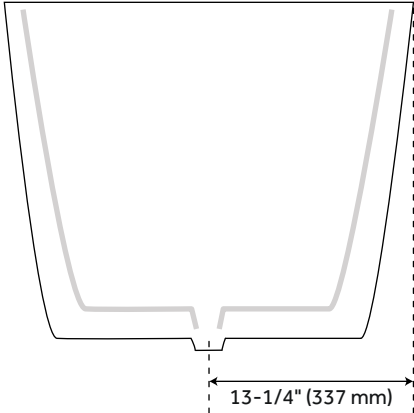
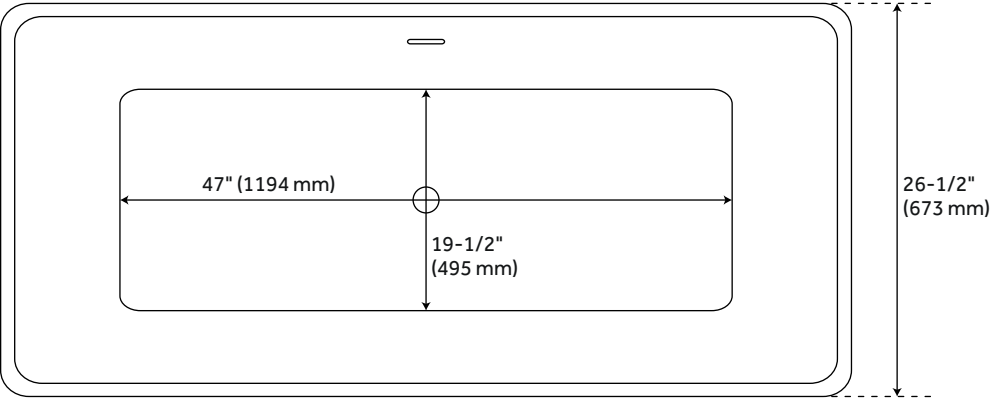
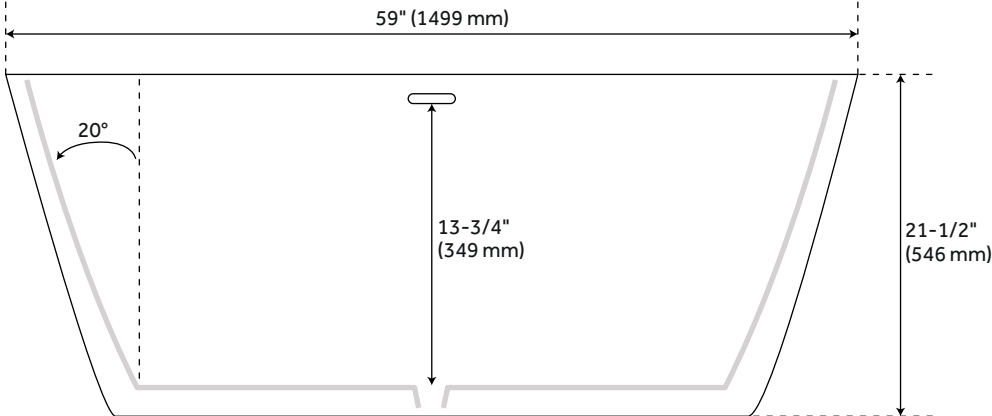


ADDITIONAL FEATURES

- Tub is 1" thick at rim.
- Tub material is solid and the same color throughout.
- Dimensions are (\pm 1").
- Exterior matte finish is easy to maintain and repair, if needed.
- Optional Quick Connect Drop-In Drain Kit Includes:
 - Floor Plate, 1-1/2" PVC Pipe, 2" x 1-1/2" Trap Adapters, 1 Brass Threaded, 1 Brass Unthreaded Tailpiece and Plug.
 - Installs above your subfloor, but underneath your cement floor or tile, so you do not need access below the fixture.

REVISED 2/8/2024

59" KELEM SOLID SURFACE FREESTANDING TUB - MATTE FINISH



All dimensions and specifications are nominal and may vary. Use actual products for accuracy in critical situations.