

# 42" CAST IRON WALL-HUNG KITCHEN SINK WITH DRAINBOARD

SKU: 349614  
Code: SH349614



## FEATURES

Material: Cast Iron  
Product Finish: White  
Installation Type: Wall Mount  
Shape: Rectangle  
Drain Placement: Off-set Right  
Fits Drain Hole Size: 3-1/2"  
Faucet Centers: 8" Widespread  
Overflow Hole: No  
Mounting Hardware Included: Yes

Massachusetts Accepted

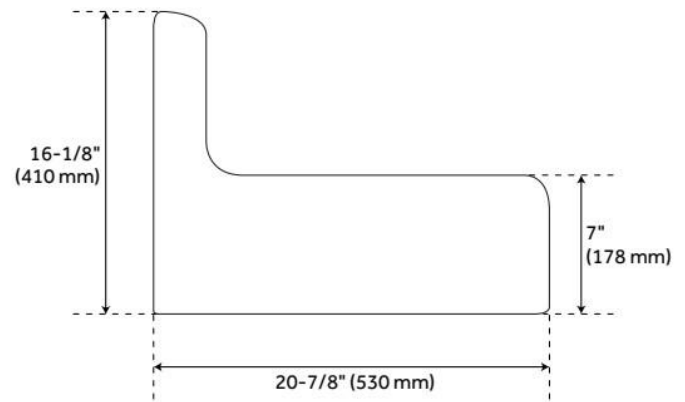
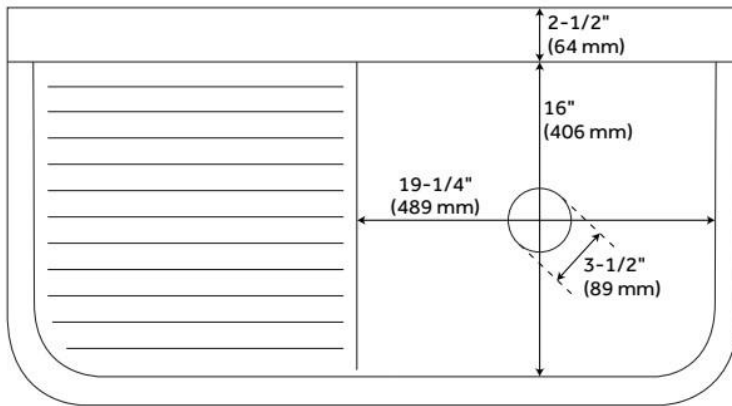
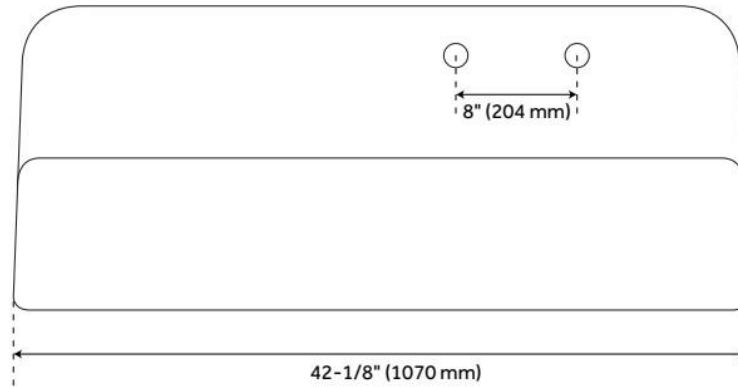
## ADDITIONAL FEATURES

- Faucet installation as shown requires flange elbow and pipe nipple, not included.
- Made of heavy cast iron with enamel coating.
- Mounts to wall with included mounting brackets. (Bolts not included.)
- Wall-mount sink only; cannot be installed on a base cabinet.
- Overall dimensions: 42.13" L x 20.87" W (front to back) x 16.14" H ( $\pm 1/2"$ ).
- Left-hand drain board; right-hand sink.
- 8" faucet centers.
- Crated weight is 234 lbs.

REVISED 8/14/2024

# 42" CAST IRON WALL-HUNG KITCHEN SINK WITH DRAINBOARD

SKU: 349614  
Code: SH349614



REVISED 8/14/2024

# CAST IRON SINK WALL BRACKET

SKU: 913685

Code: SH362093, SH398849

## FEATURES

Material: Cast Iron

Product Finish: Black

Fits Drain Hole Size: 3-1/2"



## ADDITIONAL FEATURES

- Made of heavy-duty cast iron.
- Made for hanging sinks with mounting lugs on 11-1/2" centers.
- From the back, the distance between the lug brackets measures 10-1/8" (inside usable bracket space) to 12-3/8" (far edge of usable bracket space).
- Perfect for hanging that old farmhouse sink.

REVISED 7/3/2024