

# 59" SASHA SOLID SURFACE FREESTANDING SLIPPER TUB - MATTE FINISH

SKU: 374916  
Code: SH374916



## FEATURES

Tub Material: Solid Surface  
Product Finish: White  
Shape: Oval  
Tub Drain Placement: End  
Drain Included: Yes  
Drain and Overflow Finish: White Powder Coat  
Water Depth to Overflow: 16-1/8"  
Water Capacity (Gallons): 35  
Built-In Adjusters: Yes  
Tub Weight Uncrated (lbs): 275  
Optional Accessory: 428473

CSA B45.5/IAPMO Z124, Massachusetts Accepted, LISTED ID: SH112157MWH



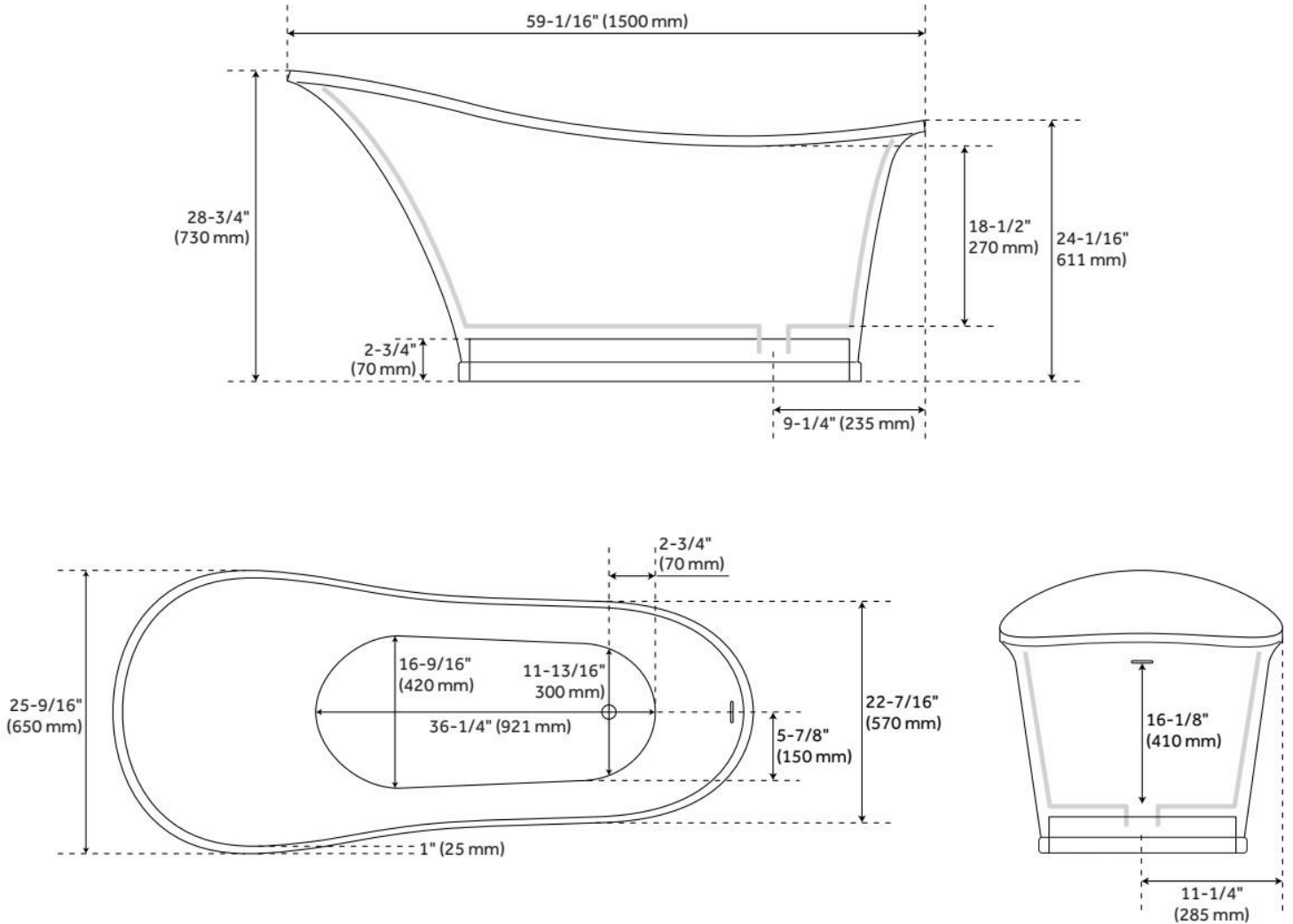
## ADDITIONAL FEATURES

- Dimensions: 59" L x 25" W (front to back) x 28" H ( $\pm 1$ ").
- Tub material is solid and the same color throughout.
- Exterior matte finish is easy to maintain and repair, if needed.
- Design motif is on both sides of the tub.

REVISED 6/29/2024

# 59" SASHA SOLID SURFACE FREESTANDING SLIPPER TUB - MATTE FINISH

SKU: 374916  
Code: SH374916



REVISED 6/29/2024