

RIGEL MATTE SOLID SURFACE VESSEL SINK

SKU: 398738
Code: SH398738



FEATURES

Material: Solid Surface
Product Finish: Matte White
Installation Type: Vessel
Shape: Round
Drain Placement: Center
Fits Drain Hole Size: 1-1/2"
Faucet Centers: No Faucet Hole
Overflow Hole: No
Mounting Hardware Included: No

CSA B45.5/IAPMO Z124, LISTED ID: 507224



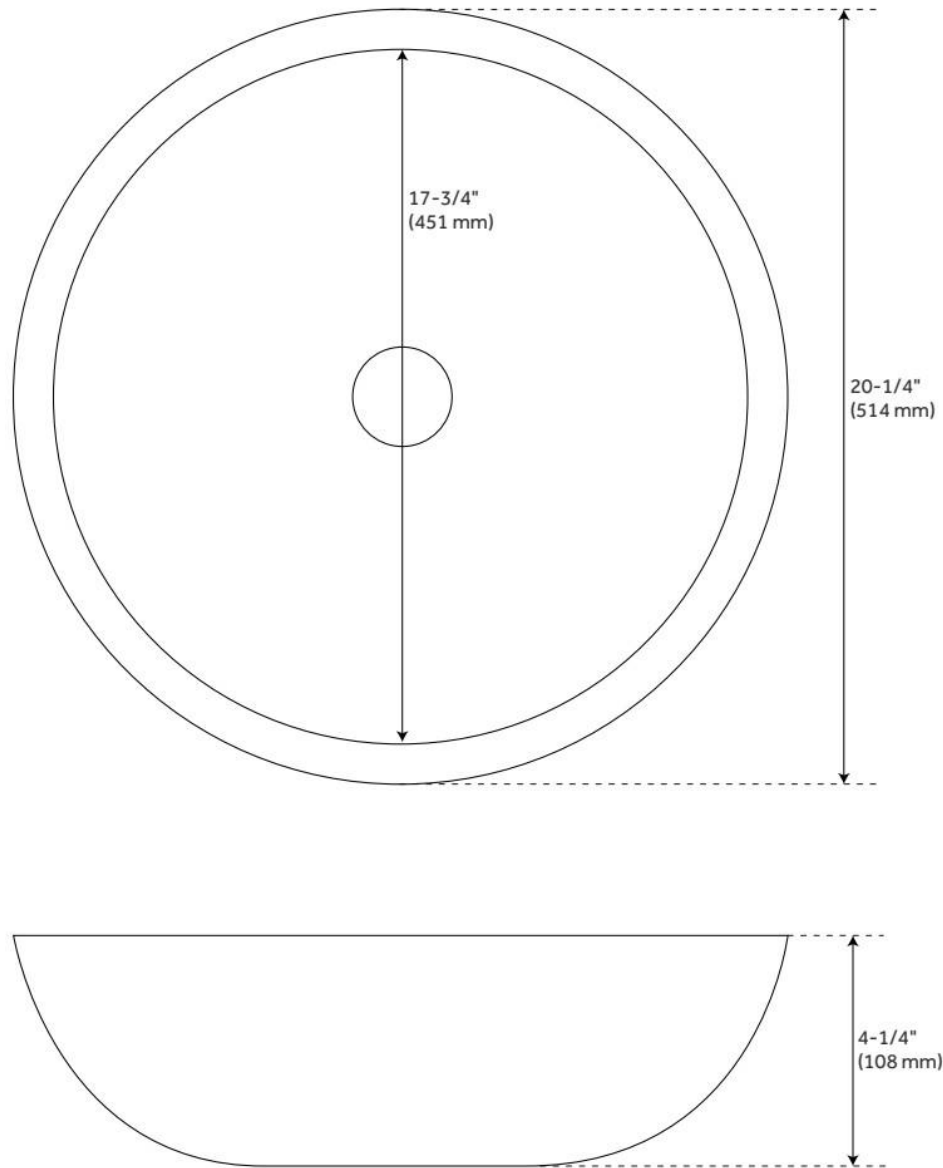
ADDITIONAL FEATURES

- Sink material is solid and the same color throughout.
- Matte finish is easy to maintain and repair, if needed.

REVISED 7/12/2024

RIGEL MATTE SOLID SURFACE VESSEL SINK

SKU: 398738
Code: SH398738



REVISED 7/12/2024