

36" CORDAIN MEDICINE CABINET

SKU: 412596
Code: SH412596



FEATURES

Material: Aluminum
On/Off Switch: No

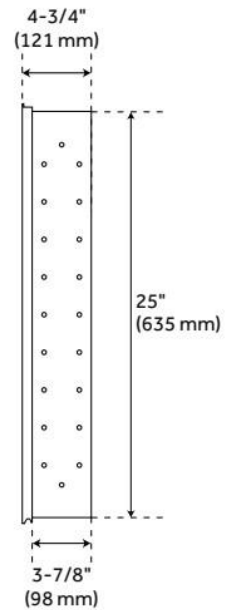
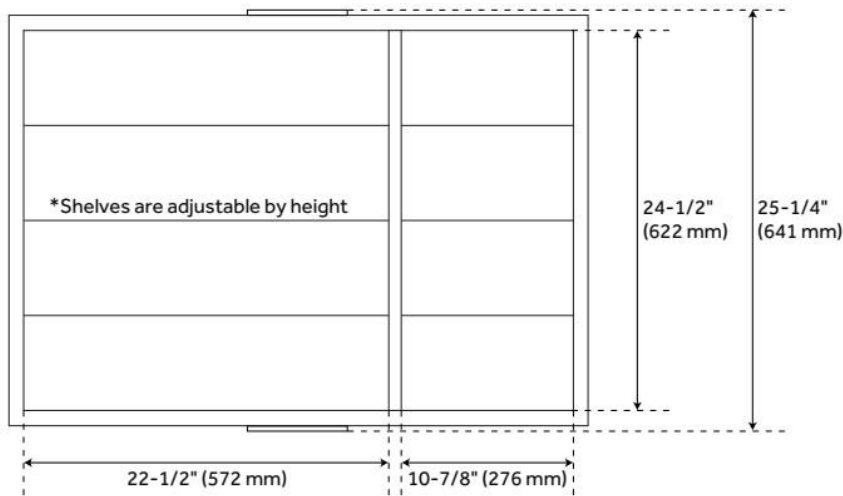
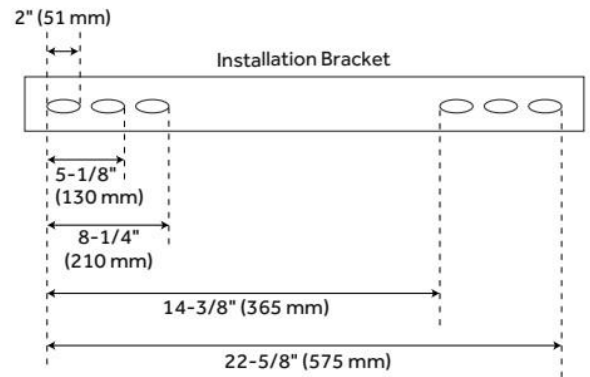
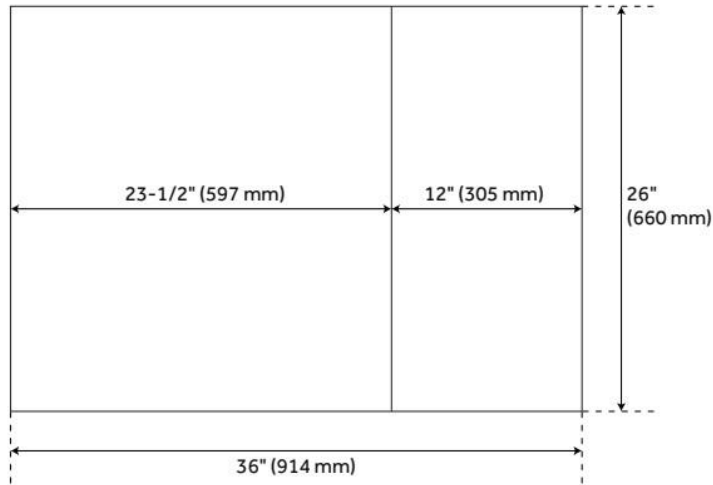
ADDITIONAL FEATURES

- Can be mounted with small cabinet on right or left.
- Rust-free aluminum construction.
- Can be surface or recess mounted.

REVISED 8/23/2024

36" CORDAIN MEDICINE CABINET

SKU: 412596
Code: SH412596



REVISED 8/23/2024