

60" SHEBA SOLID SURFACE FREESTANDING TUB - MATTE FINISH

SKU: 425986
Code: SH425986



ASSE 1016 Type P/T

FEATURES

Features: Integral Drain & Overflow
Design: Modern
Product Finish: White
Material: Solid Surface
Length: 60-3/8"
Width: 27-3/4"
Height: 28"
Overflow Hole: Yes
Water Depth To Overflow: 15"
Exterior Treatment: Matte
Interior Treatment: Smooth
Drain Finish: White Powder Coat
Faucet Included: No
Shape: Oval
Tub Overflow: Yes
Integral Drain & Overflow: Yes
Tub Interior Length: 45"
Tub Interior Width: 19"
Tap Deck: No
Faucet Drillings: No Drillings
Water Capacity (Gallons): 51
Tub Weight Uncrated (lbs): 311
Tub Weight Crated (lbs): 510

REVISED 2/08/2024

60" SHEBA SOLID SURFACE FREESTANDING TUB - MATTE FINISH

SKU: 425986
Code: SH425986

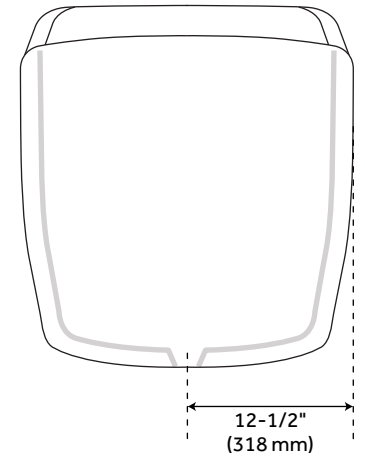
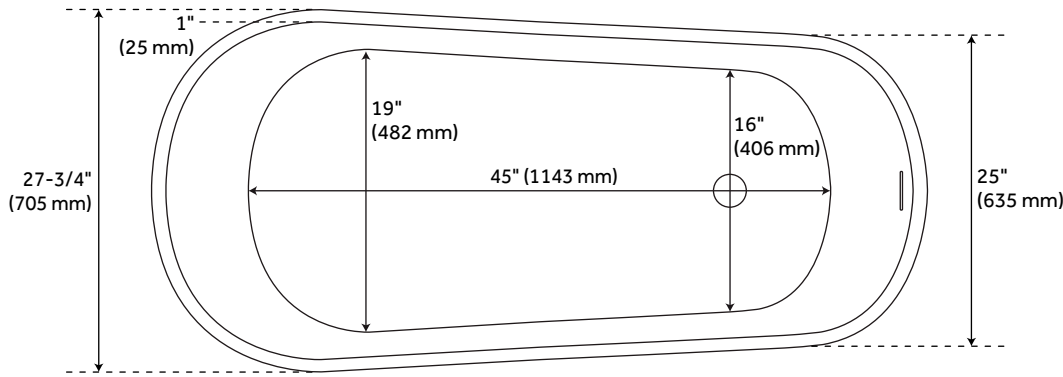
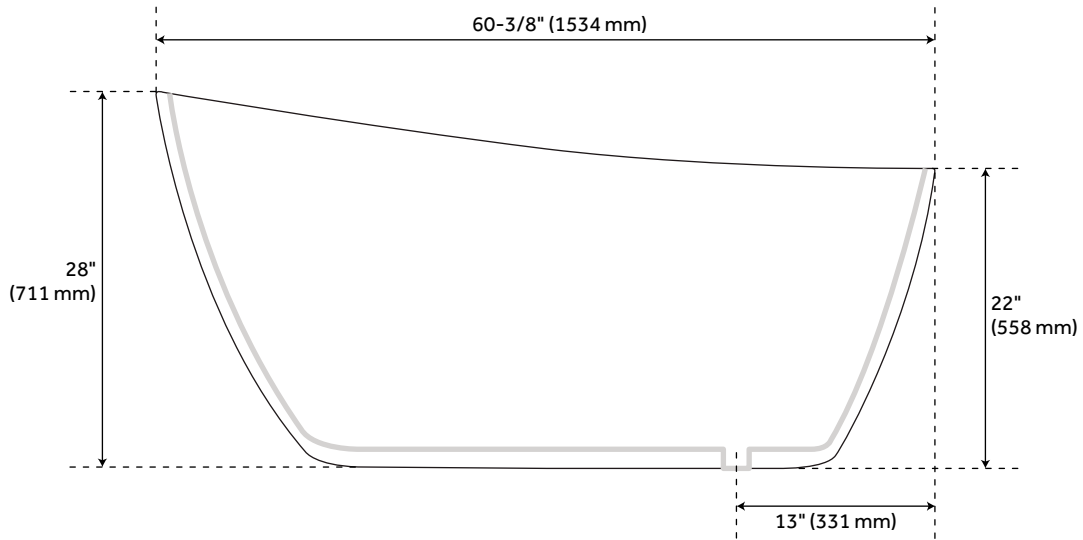


ADDITIONAL FEATURES

- Tub material is solid and the same color throughout.
- Exterior matte finish is easy to maintain and repair, if needed.
- Tub is 1" at rim.
- Tub includes both chrome and matching resin pop-up drain caps.
- Optional Quick Connect Drop-In Drain Kit Includes:
 - Floor Plate, 1-1/2" PVC Pipe, 2" x 1-1/2" Trap Adapters, 1 Brass Threaded, 1 Brass Unthreaded Tailpiece and Plug.
 - Installs above your subfloor, but underneath your cement floor or tile, so you do not need access below the fixture.

REVISED 2/08/2024

60" SHEBA SOLID SURFACE FREESTANDING TUB - MATTE FINISH



All dimensions and specifications are nominal and may vary. Use actual products for accuracy in critical situations.