

# 29" STONEHOUSE 3-LIGHT OUTDOOR POST LANTERN - SMOOTH BRONZE

SKU: 440647  
Code: PHEL4805



## FEATURES

Installation Type: Post Mount  
Design: Traditional  
Product Finish: Smooth Bronze  
Material: Aluminum  
Width: 10-1/2"  
Height: 28-7/8"  
Mounting Hardware Included: Yes  
Shade Finish: Clear  
Shade Material: Glass  
Number of Bulbs: 3  
Location Type: Suitable for Wet Locations  
Bulbs Included: No  
Bulb Type: Candelabra E-12  
Wattage per Bulb: 60  
Extension: 10-1/2"  
Weight: 17.02  
Wire Length: 120  
Sloped Ceiling Compatible: No  
Voltage: 110

UL 1598 / CSA C22.2 No 250.0

REVISED 4/2/2023

# 29" STONEHOUSE 3-LIGHT OUTDOOR POST LANTERN - SMOOTH BRONZE

SKU: 440647  
Code: PHEL4805



## ADDITIONAL FEATURES

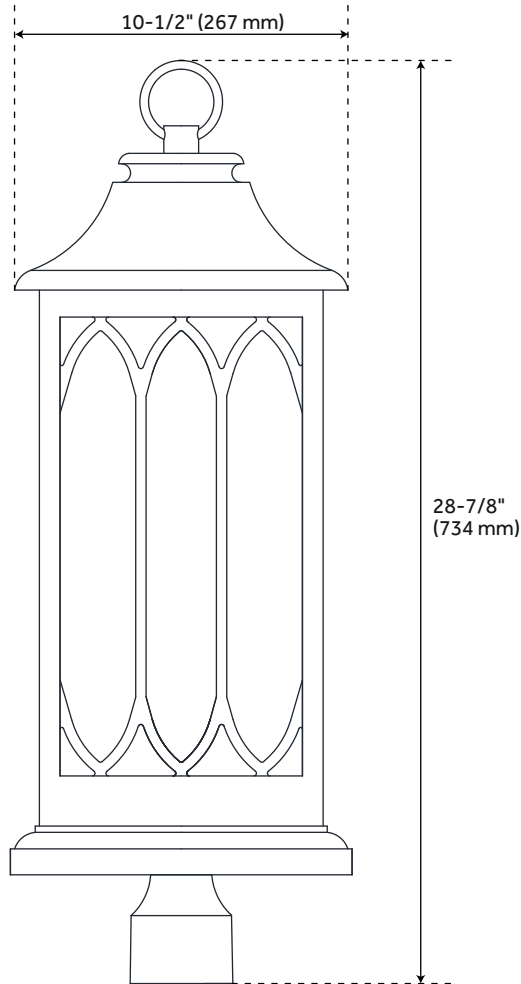
- Hardwired.
- Post not included.

REVISED 4/2/2023

# STONEHOUSE 29" 3-LIGHT OUTDOOR POST LANTERN - SMOOTH BRONZE

SKU: 440647

PHEL4805



All dimensions and specifications are nominal and may vary. Use actual products for accuracy in critical situations.