

# FREESTANDING TUB DRAIN DROP-IN ROUGH-IN FOR CAST IRON PIPE

SKU: 446541  
Code: SH653

## FEATURES

Product Finish: Black



ASME A112.18.2/CSA B125.2, Massachusetts Accepted, LISTED ID: SH653CI



## ADDITIONAL FEATURES

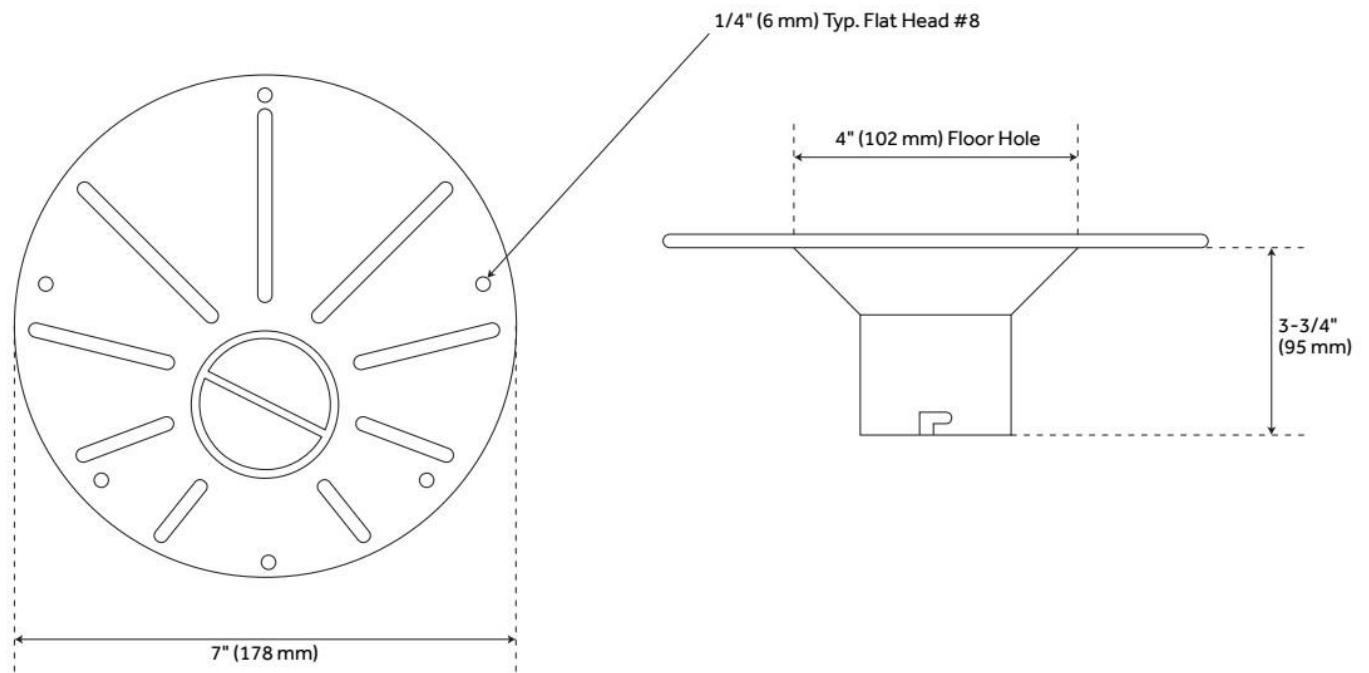
- Asymmetrical 18-gauge epoxy coated metal deck flange - makes installation in tight spaces easier.
- Built-in snap off test cap allows for water/air/smoke testing.
- Low profile design allows for installation in 8" joist space or greater.
- Adapter kit (attaches to ABS or PVC bath wastes).
- 2 Brass 1-1/2" diameter tailpieces (fine thread and flanged).
- Includes cutting template and mortar/tile guard.

REVISED 10/16/2024

# FREESTANDING TUB DRAIN DROP-IN ROUGH-IN FOR CAST IRON PIPE

SKU: 446541

Code: SH653



REVISED 10/16/2024