

FREESTANDING TUB DRAIN DROP-IN ROUGH-IN FOR PVC PIPE

SKU: 446542
Code: SH653

FEATURES

Product Finish: White
Length: 7"
Width: 7"
Height: 3-3/4"
Weight: 2.87



ASME A112.18.2/CSA B125.2
Massachusetts Accepted
LISTED ID: SH653PVC



REVISED 5/3/2024

FREESTANDING TUB DRAIN DROP-IN ROUGH-IN FOR PVC PIPE

SKU: 446542

Code: SH653

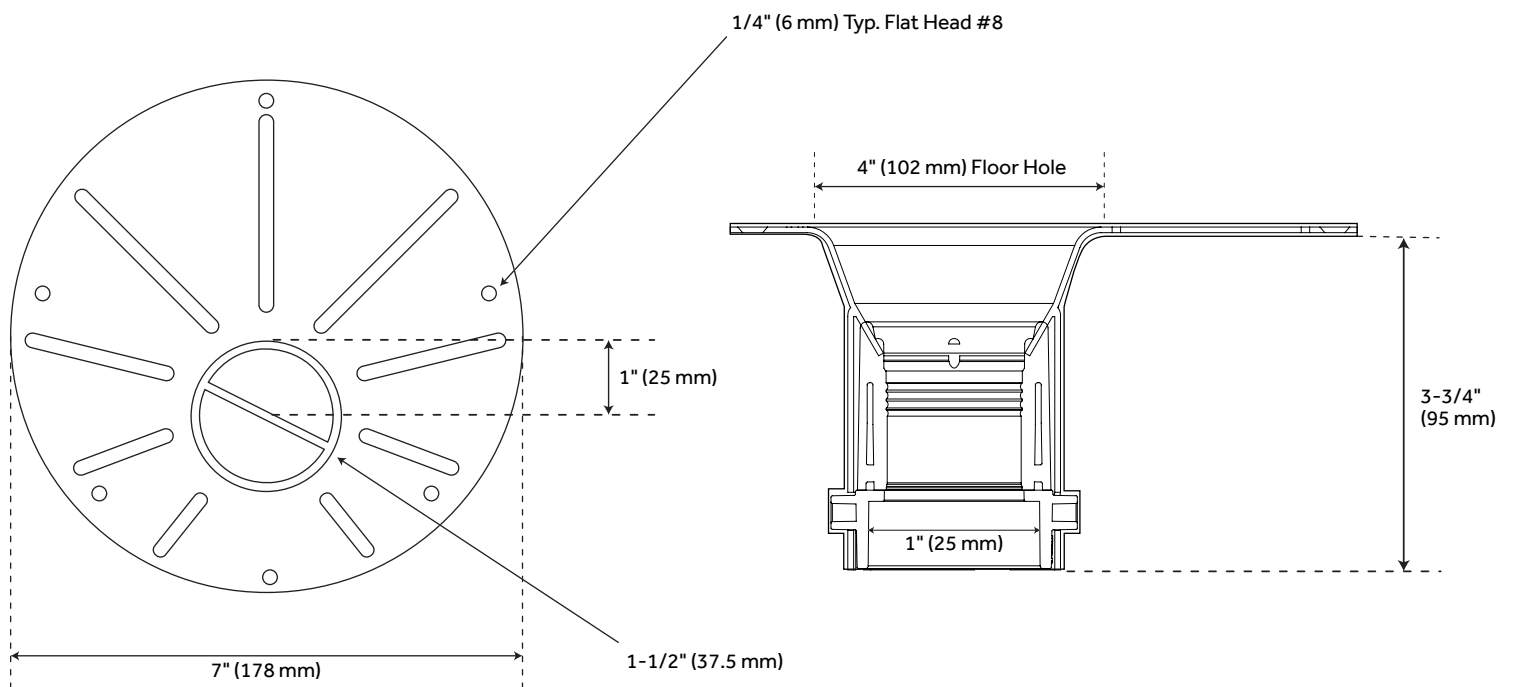


ADDITIONAL FEATURES

- 18-gauge epoxy coated metal deck flange - makes installation in tight spaces easier.
- Built-in snap off test cap allows for water/air/smoke testing.
- Low profile design allows for installation in 8" joist space or greater.
- PVC Adapter Kit (attaches Rough-in to PVC Bath Wastes).
- 2 Brass 1-1/2" diameter tailpieces (fine thread and flanged).
- Rough-in assembly with 1-1/2" DWV PVC Tailpiece.
- Includes cutting template and mortar/tile guard.

REVISED 5/3/2024

FREESTANDING TUB DRAIN DROP-IN ROUGH-IN FOR PVC PIPE



All dimensions and specifications are nominal and may vary. Use actual products for accuracy in critical situations.