

FREESTANDING TUB DRAIN DROP-IN ROUGH-IN FOR PVC PIPE

SKU: 446542
Code: SH653

FEATURES

Product Finish: White



ASME A112.18.2/CSA B125.2, Massachusetts Accepted, LISTED ID: SH653PVC



ADDITIONAL FEATURES

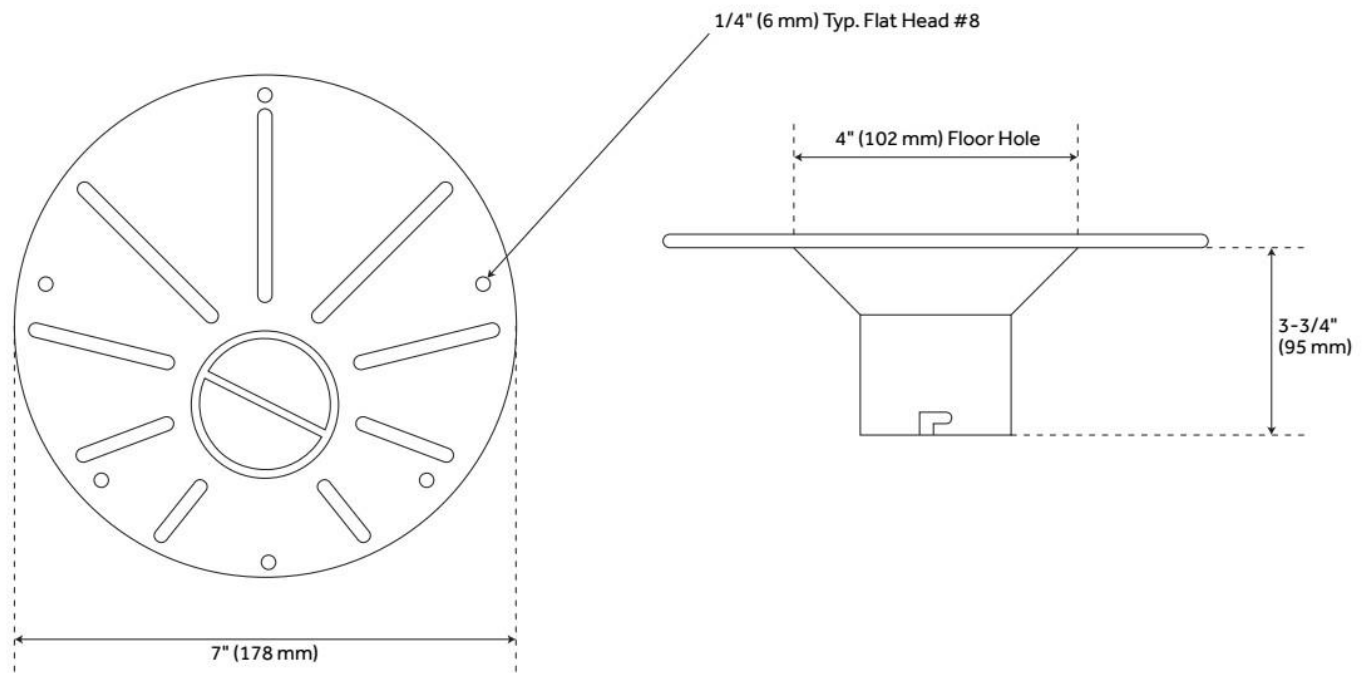
- 18-gauge epoxy coated metal deck flange - makes installation in tight spaces easier.
- Built-in snap off test cap allows for water/air/smoke testing.
- Low profile design allows for installation in 8" joist space or greater.
- PVC Adapter Kit (attaches Rough-in to PVC Bath Wastes).
- 2 Brass 1-1/2" diameter tailpieces (fine thread and flanged).
- Rough-in assembly with 1-1/2" DWV PVC Tailpiece.
- Includes cutting template and mortar/tile guard.

REVISED 7/31/2024

FREESTANDING TUB DRAIN DROP-IN ROUGH-IN FOR PVC PIPE

SKU: 446542

Code: SH653



REVISED 7/31/2024