

FREESTANDING TUB DRAIN ROUGH-IN KIT WITH 1-1/2" PVC OUTLET

SKU: 446542
Code: SH653



IAPMO, ASME A112.18.2/CSA B125.2, Massachusetts Accepted, LISTED ID: SH653PVC



ADDITIONAL FEATURES

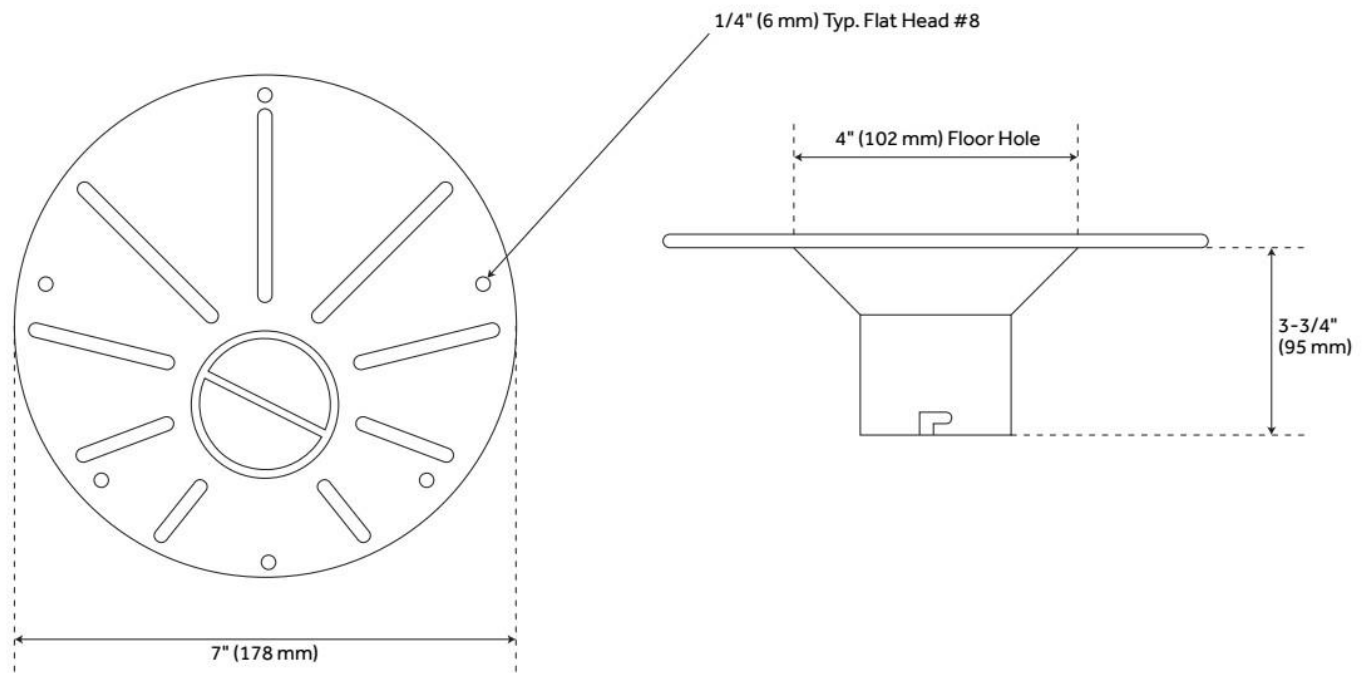
- Includes: drop-in drain and lubricant, nut, gasket, adaptors 1-1/2" female and 1-1/2" male, brass tailpiece and threaded brass tailpiece and PVC pipe.
- Quick, easy and clean process.
- No access panel required.
- Needed for all freestanding bathtub installations.
- Off-centered to allow for an installation as close to the wall as possible.
- Plate can be uninstalled if adjustments are needed.
- Fits with 1-1/2" male, 1-1/2" female or 1-1/2" threaded bathtub drains.
- Removeable cap allows for multiple air pressure testing as well as protect from debris.

REVISED 2/6/2025

FREESTANDING TUB DRAIN ROUGH-IN KIT WITH 1-1/2" PVC OUTLET

SKU: 446542

Code: SH653



REVISED 2/6/2025