

# 60" X 32" SITKA ACRYLIC DROP-IN WHIRLPOOL TUB - WHITE

SKU: 447025

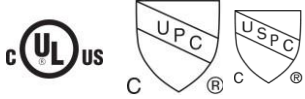
Code: SHSKW6032



## FEATURES

Tub Material: Acrylic  
Product Finish: White  
Shape: Rectangle  
Tub Drain Placement: End  
Drain Included: No  
Water Depth to Overflow: 14-1/2"  
Water Capacity (Gallons): 53  
Built-In Adjusters: No  
Tub Weight Uncrated (lbs): 97

ASME A112.19.7/CSA B45.10, CSA B45.5/IAPMO Z124, CSA C22.2 No. 218.2, Massachusetts Accepted, UL 1795, LISTED ID: MIRSKX6032XX



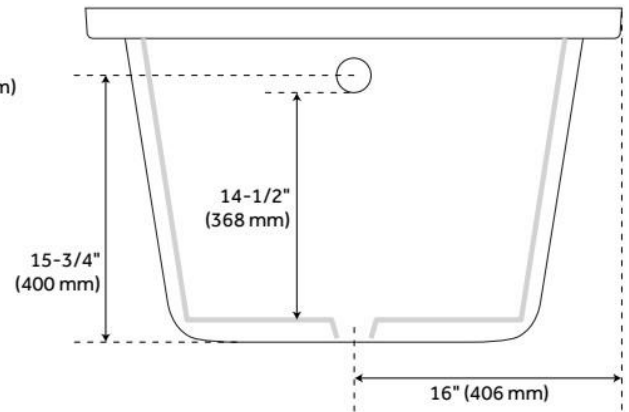
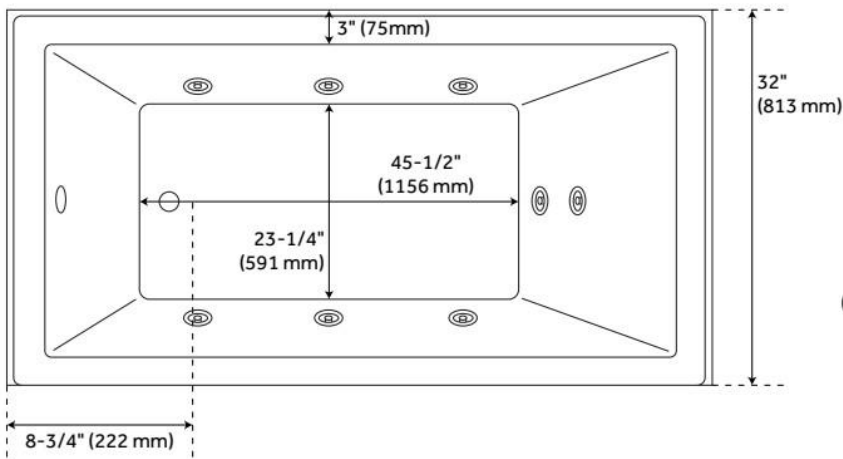
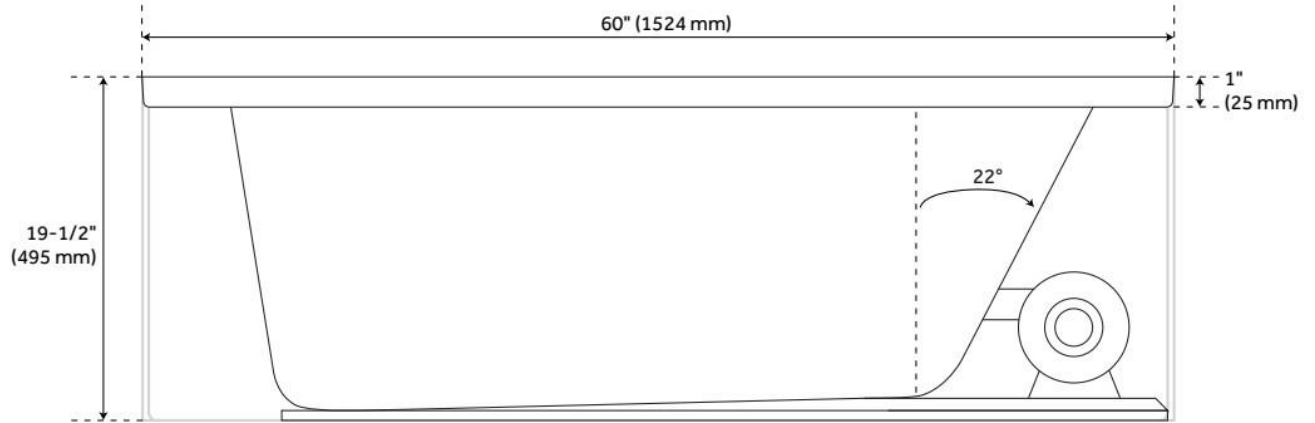
## ADDITIONAL FEATURES

- All dimensions ( $\pm 1/2"$ ).
- Can be installed for undermount applications.
- 53-gallon (200.6-Liters) operating capacity
- Textured slip-resistant bottom.
- Pre-leveled base.
- Cut out template included.
- A dual-mount design, this can be installed as a drop-in or undermount tub.
- Intuitive electronic control pad.
- Whirlpool - 8 Strategically placed air jets move water with increased pressure for an invigorating bathing experience.
- Whirlpool system uses a powerful 1.75hp, 10.9 amp whirlpool pump.
- Safety Suction: Meets all requirements of durability and clog-resistance through standard testing.
- Optional Quick Connect Drop-In Drain Kit Includes:
  - Floor Plate, 1-1/2" PVC Pipe, 2" x 1-1/2" Trap Adapters, 1 Brass Threaded, 1 Brass Unthreaded Tailpiece and Plug.
  - Installs above your subfloor, but underneath your cement floor or tile, so you do not need access below the fixture.

REVISED 6/27/2024

# 60" X 32" SITKA ACRYLIC DROP-IN WHIRLPOOL TUB - WHITE

SKU: 447025  
Code: SHSKW6032



REVISED 6/27/2024

# 60" X 32" SITKA ACRYLIC DROP-IN WHIRLPOOL TUB - WHITE

SKU: 447025  
Code: SHSKW6032

## COMPONENTS LIST

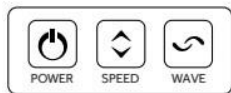
- Powerful whirlpool pump with variable flow device

## INSTALLATION

- Whirlpool unit requires dedicated 20 Amp, 120V service
- You must provide a receptacle with a 20 Amp configuration
- Electrical outlet must be mounted 4" (101 mm) above the floor line and 12" max (305 mm) inside from the edge of the bathtub, or in accordance with local building and electrical codes

## INTEGRATED CONTROL PANEL

- Intuitive electronic control buttons

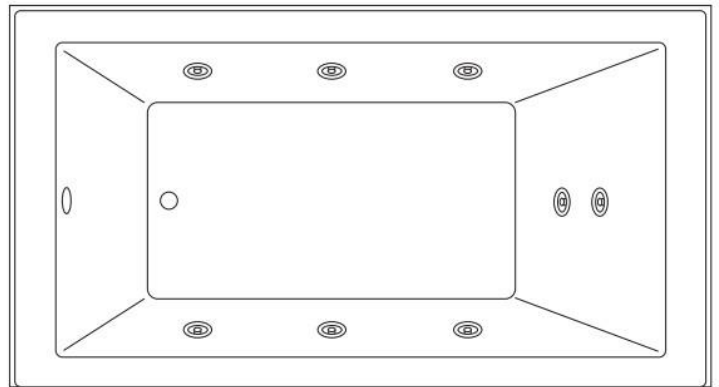


## INSIDE OF BATH

- (8) HIGH-FLOW DIRECTIONAL AND VOLUME-ADJUSTABLE WHIRLPOOL JETS

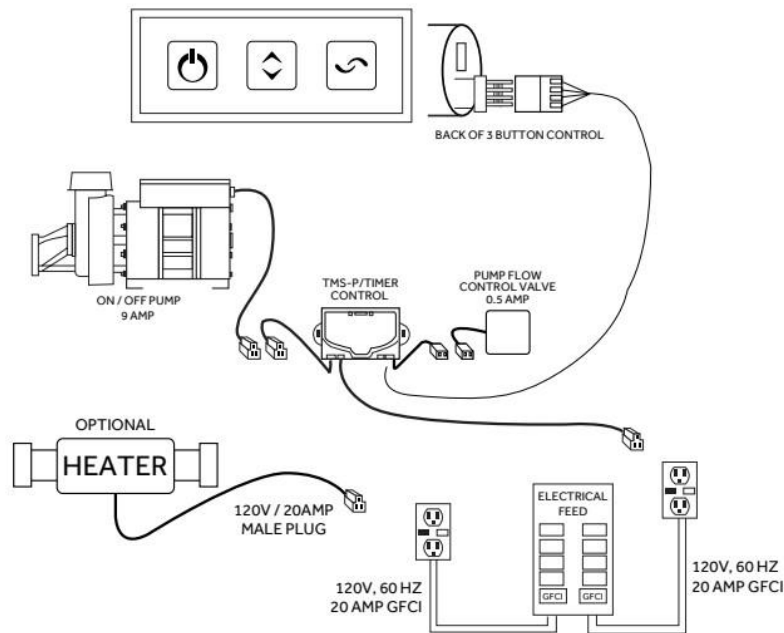


WHIRLPOOL JET



## ELECTRICAL CONFIGURATIONS

### WHIRLPOOL CIRCUIT WITH OPTIONAL HEATER



REVISED 6/27/2024