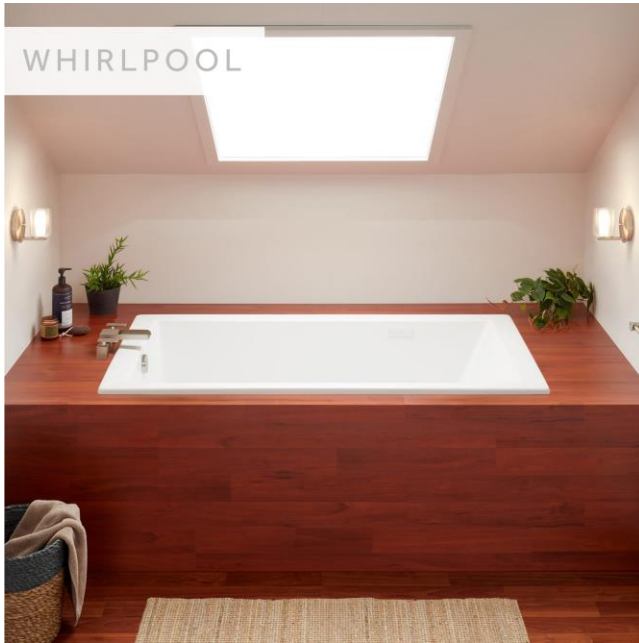


60" X 36" SITKA ACRYLIC DROP-IN WHIRLPOOL TUB - WHITE

SKU: 447026

Code: SHSKW6036



FEATURES

Tub Material: Acrylic
Product Finish: White
Shape: Rectangle
Tub Drain Placement: End
Drain Included: No
Water Depth to Overflow: 14-1/2"
Water Capacity (Gallons): 57
Built-In Adjusters: No
Tub Weight Uncrated (lbs): 112

ASME A112.19.7/CSA B45.10, CSA B45.5/IAPMO Z124, CSA C22.2 No. 218.2, Massachusetts Accepted, UL 1795, LISTED ID: MIRSKX6036XX



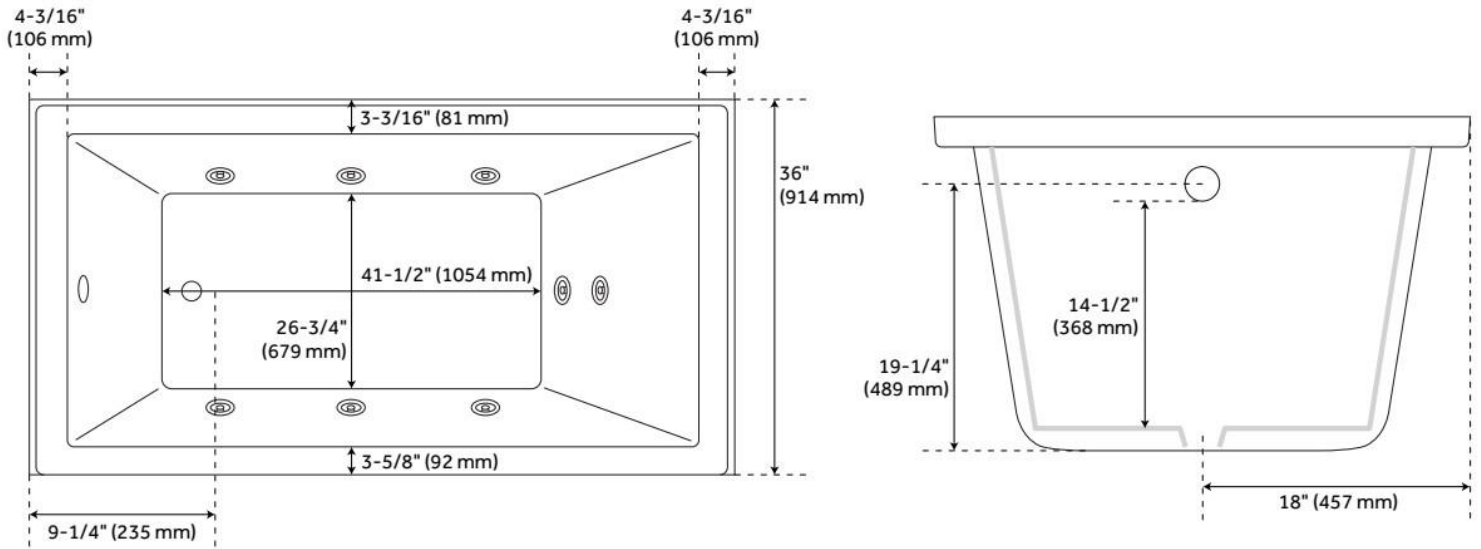
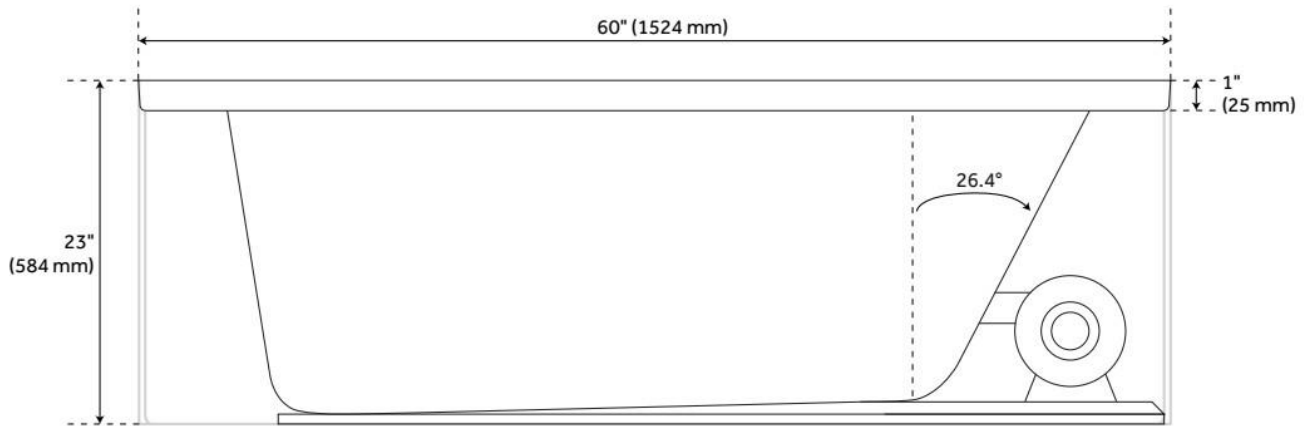
ADDITIONAL FEATURES

- All dimensions ($\pm 1/2"$).
- Can be installed for undermount applications.
- 57-gallon (215.8-Liters) operating capacity.
- Textured slip-resistant bottom.
- Pre-leveled base.
- Cut out template included.
- A dual-mount design, this can be installed as a drop-in or undermount tub.
- Intuitive electronic control pad.
- Whirlpool - 8 Strategically placed air jets move water with increased pressure for an invigorating bathing experience.
- Whirlpool system uses a powerful 1.75hp, 9 amp whirlpool pump.
- Safety Suction: Meets all requirements of durability and clog-resistance through standard testing.
- Pre-wired for simple plug-in installation.
- ABS drain version available if needed for your installation.
- Optional Quick Connect Drop-In Drain Kit Includes:
 - Floor Plate, 1-1/2" PVC Pipe, 2" x 1-1/2" Trap Adapters, 1 Brass Threaded, 1 Brass Unthreaded Tailpiece and Plug.
- Installs above your subfloor, but underneath your cement floor or tile, so you do not need access below the fixture.

REVISED 6/26/2024

60" X 36" SITKA ACRYLIC DROP-IN WHIRLPOOL TUB - WHITE

SKU: 447026
Code: SHSKW6036



REVISED 6/26/2024

60" X 36" SITKA ACRYLIC DROP-IN WHIRLPOOL TUB - WHITE

SKU: 447026
Code: SHSKW6036

COMPONENTS LIST

- Powerful whirlpool pump with variable flow device

INSTALLATION

- Whirlpool unit requires dedicated 20 Amp, 120V service
- You must provide a receptacle with a 20 Amp configuration
- Electrical outlet must be mounted 4" (101mm) above the floor line and 12" max (305mm) inside from the edge of the bathtub, or in accordance with local building and electrical codes

INTEGRATED CONTROL PANEL

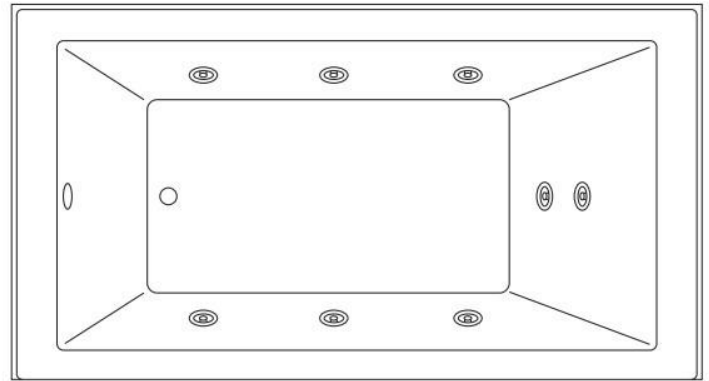
- Whirlpool Baths: Equipped with on/off switch actuator. Each depression of the switch will activate the pump

INSIDE OF BATH

- (8) HIGH-FLOW DIRECTIONAL AND VOLUME-ADJUSTABLE WHIRLPOOL JETS

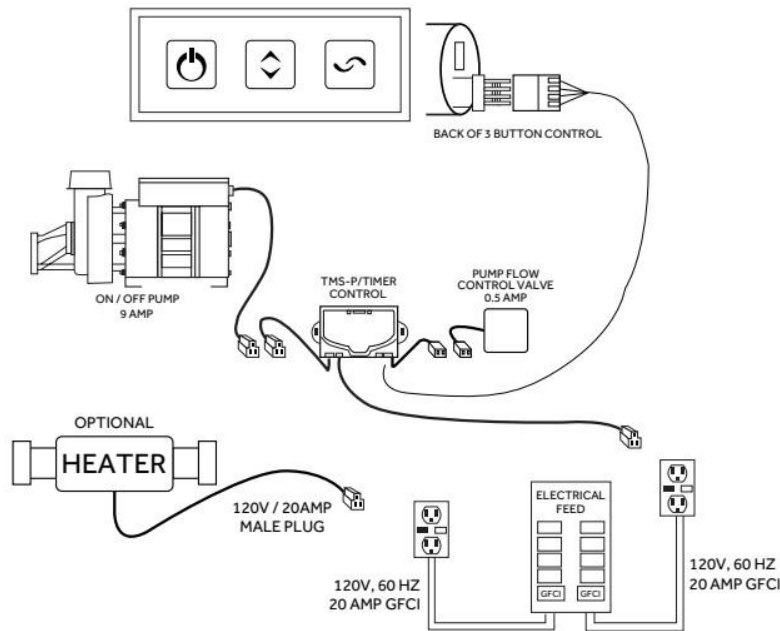


WHIRLPOOL JET



ELECTRICAL CONFIGURATIONS

WHIRLPOOL CIRCUIT WITH OPTIONAL HEATER



All dimensions and specifications are nominal and may vary. Use actual products for accuracy in critical situations.

REVISED 6/26/2024