

66" X 36" SITKA ACRYLIC DROP-IN WHIRLPOOL TUB - WHITE

SKU: 447031

Code: SHSKW6636



FEATURES

Installation Type: Drop-In
Design: Modern
Product Finish: White
Material: Acrylic
Length: 66"
Width: 23"
Height: 23"
Water Depth To Overflow: 18"
Interior Treatment: Smooth
Drain Included: No
Faucet Included: No
Shape: Rectangle
Size: 66 in x 36 in
Tub Overflow: Yes
Integral Drain & Overflow: No
Tub Material: Acrylic
Tub Interior Length: 46-1/2"
Tub Interior Width: 26-3/4"
Tap Deck: No
Faucet Drillings: No Drillings
Water Capacity (Gallons): 68
Tub Weight Uncrated (lbs): 109
Tub Weight Crated (lbs): 219
Blower: Yes
Number of Jets: 8
Jet Color: White
On/Off Switch: Yes
Weight: 109.0000
Voltage: 120V

REVISED 2/13/2024

66" X 36" SITKA ACRYLIC DROP-IN WHIRLPOOL TUB - WHITE

SKU: 447031

Code: SHSKW6636

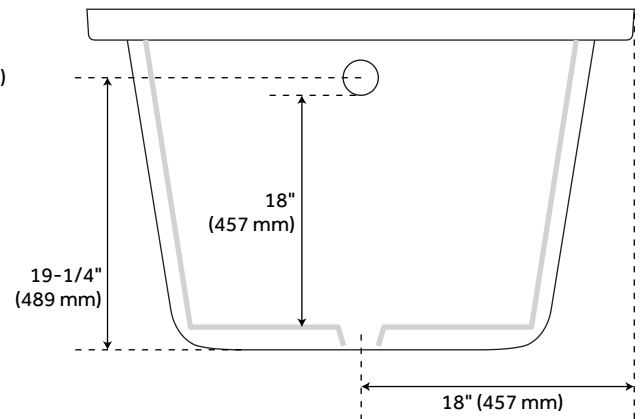
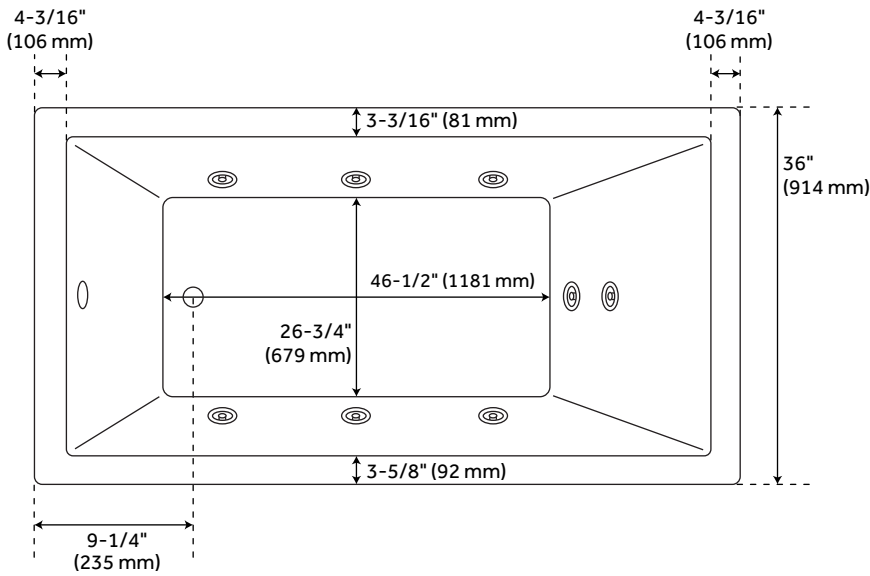
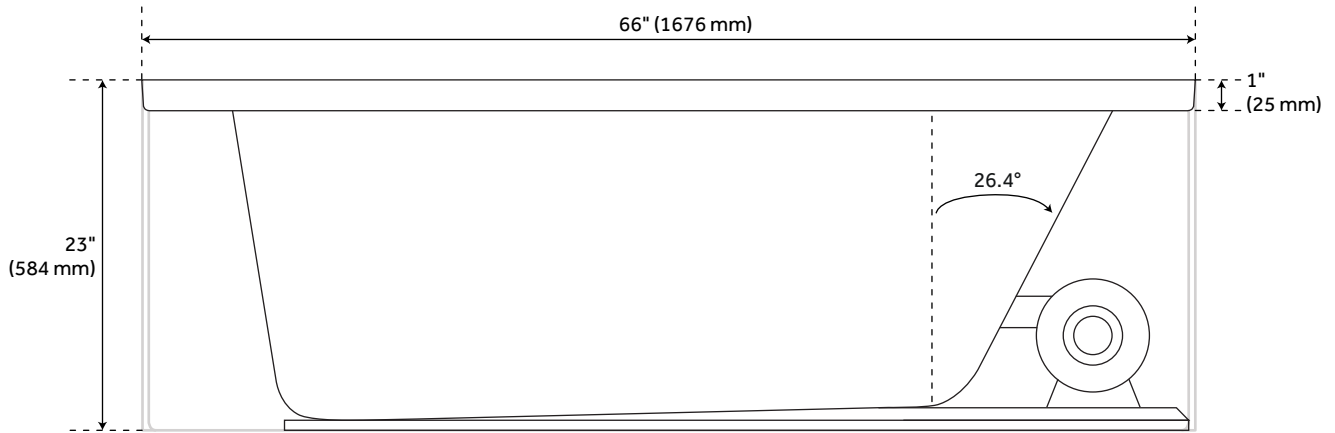


ADDITIONAL FEATURES

[[[u_list| All dimensions ($\pm 1/2$ ").| Can be installed for undermount applications. | 68-gallon (257.4-Liters) operating capacity. | Textured slip-resistant bottom. | Pre-leveled base. | A dual-mount design, this can be installed as a drop-in or undermount tub. | 8 Strategically placed air jets move water with increased pressure for an invigorating bathing experience. | Whirlpool system uses a powerful 1.75hp, 9 amp whirlpool pump. | Safety Suction: Meets all requirements of durability and clog-resistance through standard testing. | Pre-wired for simple plug-in installation. | Optional Quick Connect Drop-In Drain Kit Includes: [[[u_list| Floor Plate, 1-1/2" PVC Pipe, 2" x 1-1/2" Trap Adapters, 1 Brass Threaded, 1 Brass Unthreaded Tailpiece and Plug. | Installs above your subfloor, but underneath your cement floor or tile, so you do not need access below the fixture.u_list]]]]

REVISED 2/13/2024

66" X 36" SITKA ACRYLIC DROP-IN WHIRLPOOL TUB



All dimensions and specifications are nominal and may vary. Use actual products for accuracy in critical situations.

66" X 36" SITKA ACRYLIC DROP-IN WHIRLPOOL TUB

COMPONENTS LIST

- Powerful whirlpool pump with variable flow device

INSTALLATION

- Whirlpool unit requires dedicated 20 Amp, 120V service
- You must provide a receptacle with a 20 Amp configuration
- Electrical outlet must be mounted 4" (101mm) above the floor line and 12" max (305mm) inside from the edge of the bathtub, or in accordance with local building and electrical codes

INTEGRATED CONTROL PANEL

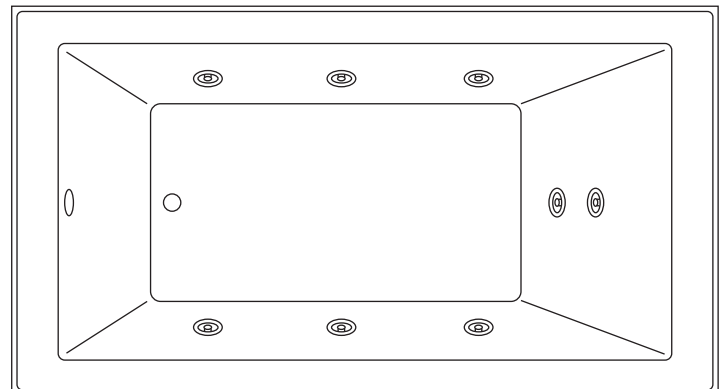
- Whirlpool Baths: Equipped with on/off switch actuator. Each depression of the switch will activate the pump

INSIDE OF BATH

- (8) HIGH-FLOW DIRECTIONAL AND VOLUME-ADJUSTABLE WHIRLPOOL JETS

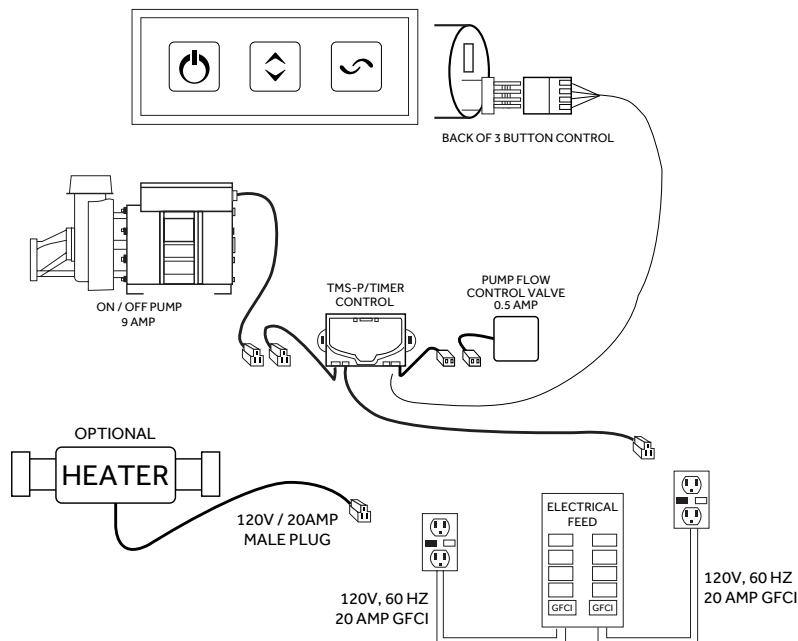


WHIRLPOOL JET



ELECTRICAL CONFIGURATIONS

WHIRLPOOL CIRCUIT WITH OPTIONAL HEATER



All dimensions and specifications are nominal and may vary. Use actual products for accuracy in critical situations.