

# 17" TOTTEN GRANITE COMPOSITE UNDERMOUNT PREP SINK - WHITE

SKU: 447412  
Code: SHGR1B1616



## FEATURES

Material: Granite Composite  
Product Finish: White  
Installation Type: Undermount, Drop-In  
Shape: Square  
Drain Placement: Center Rear  
Fits Drain Hole Size: 3-1/2"  
Faucet Centers: No Faucet Hole  
Overflow Hole: No  
Mounting Hardware Included: Yes

Optional Accessory: Strainer: SH482757, SH482758, SH480532, SH446624, SH482759, SH480531, SH402266, SH212170, SH446628, SH171SS, SH482752, SH482753, SH480538, SH446614, SH446615, SH482754, SH480537, SH196809, SH212165, SH446618, SH406049

CSA B45.5/IAPMO Z124, Massachusetts Accepted, LISTED ID: SHGR1B1616WH



## ADDITIONAL FEATURES

- It is recommended to have the sink at the job site before cutting cabinet or counter top.
- Resistant to heat, stains, and scratches.

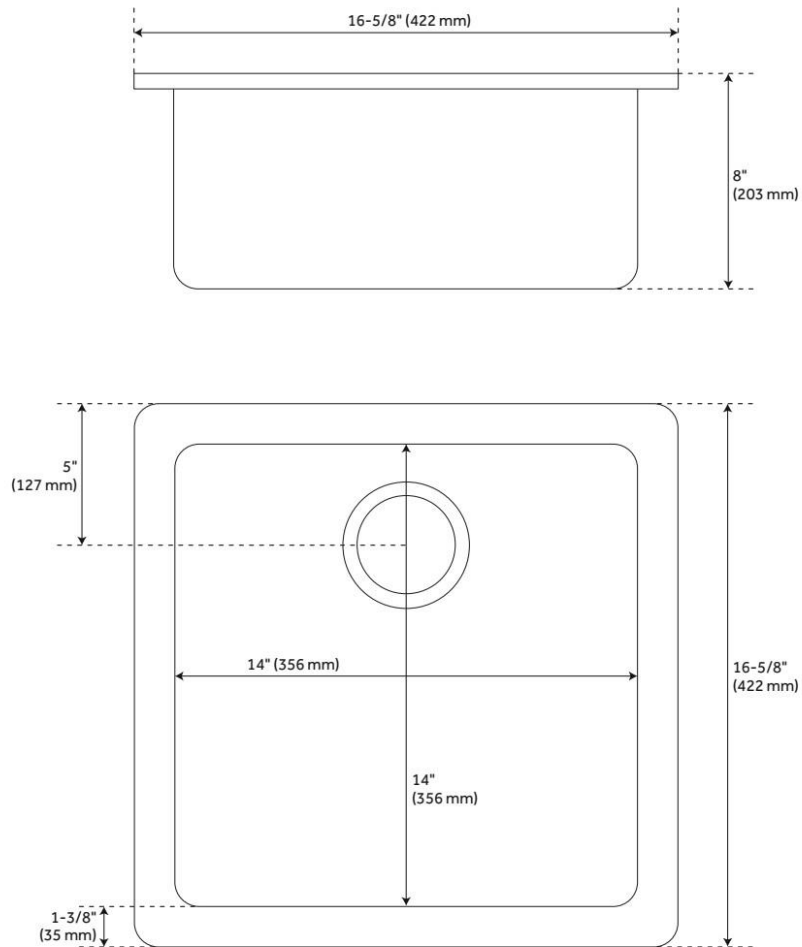
REVISED 7/8/2024

# 17" TOTTEN GRANITE COMPOSITE UNDERMOUNT PREP SINK - WHITE

SKU: 447412  
Code: SHGR1B1616

## 17" TOTTEN GRANITE COMPOSITE UNDERMOUNT PREP SINK - WHITE

SKU: 948447  
SHGR1B1616WH



All dimensions and specifications are nominal and may vary. Use actual products for accuracy in critical situations.

 SIGNATURE HARDWARE

See Website For Warranty Information  
[signaturehardware.com/warranty](http://signaturehardware.com/warranty)

[signaturehardware.com](http://signaturehardware.com)

REVISED 7/8/2024

 SIGNATURE HARDWARE

See Website For Warranty Information  
[signaturehardware.com/warranty](http://signaturehardware.com/warranty)

[signaturehardware.com](http://signaturehardware.com)