

18" SITKA STAINLESS STEEL DROP-IN PREP SINK

SKU: 447417

Code: SHSKDM1515AZ1



FEATURES

Material: Stainless Steel
Product Finish: Stainless Steel
Installation Type: Drop-In, Undermount
Shape: Rectangle
Drain Placement: Center
Fits Drain Hole Size: 3-1/2"
Faucet Centers: Single-Hole
Overflow Hole: No
Mounting Hardware Included: Yes

Optional Accessory: Strainer: SH482757, SH482758, SH480532, SH446624, SH482759, SH480531, SH402266, SH212170, SH446628, SH171SS, SH482752, SH482753, SH480538, SH446614, SH446615, SH482754, SH480537, SH196809, SH212165, SH446618, SH406049, Basin Grid: 447418

CSA B45.5/IAPMO Z124, LISTED ID: SHSKDMA1515Z1



ADDITIONAL FEATURES

- Minimum Cabinet Size: 21".
- Type 304 stainless steel.
- It is recommended to have the sink at the job site before cutting cabinet or counter top.
- Sound absorption pads on the underside of sink.
- Has an undercoating to prevent condensation buildup.

REVISED 7/10/2024

18" SITKA STAINLESS STEEL DROP-IN PREP SINK

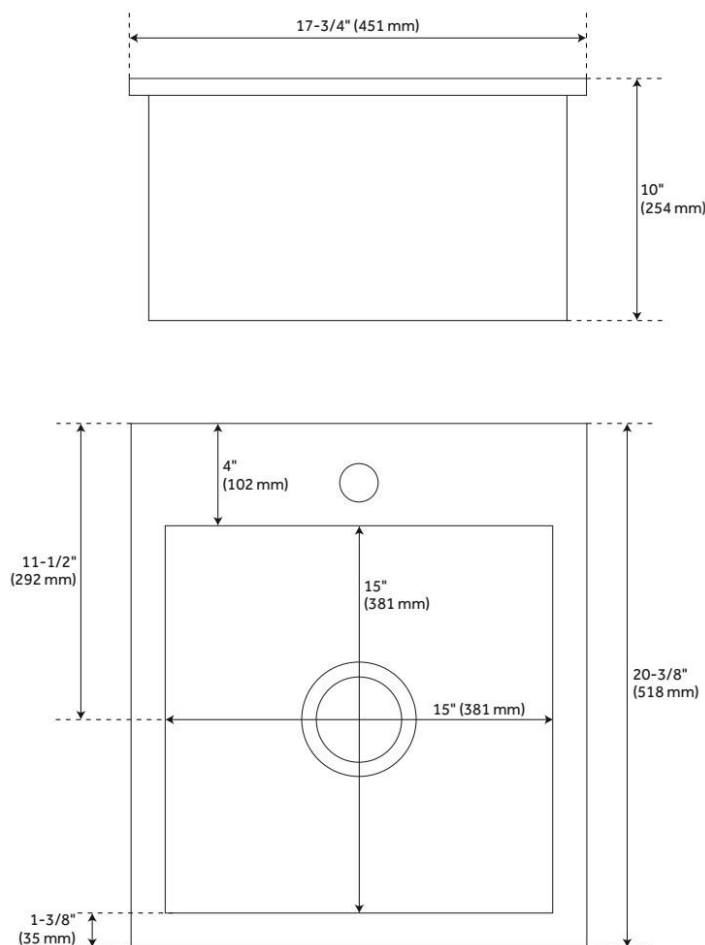
SKU: 447417

Code: SHSKDM1515AZ1

18" SITKA STAINLESS STEEL DROP-IN PREP SINK

SKU: 948452

SHSKDM1515Z1



All dimensions and specifications are nominal and may vary. Use actual products for accuracy in critical situations.

 SIGNATURE HARDWARE

See Website For Warranty Information
signaturehardware.com/warranty

signaturehardware.com

REVISED 7/10/2024

 SIGNATURE HARDWARE

See Website For Warranty Information
signaturehardware.com/warranty

signaturehardware.com