

17" CALVERTON ROUND STAINLESS STEEL UNDERMOUNT PREP SINK

SKU: 447654
Code: SHCAUCA16R



FEATURES

Material: Stainless Steel
Product Finish: Stainless Steel
Installation Type: Undermount, Drop-In
Shape: Round
Drain Placement: Center
Fits Drain Hole Size: 3-1/2"
Faucet Centers: No Faucet Hole
Overflow Hole: No
Mounting Hardware Included: Yes

Optional Accessory: Strainer: SH482757, SH482758, SH480532, SH446624, SH482759, SH480531, SH402266, SH212170, SH446628, SH171SS, SH482752, SH482753, SH480538, SH446614, SH446615, SH482754, SH480537, SH196809, SH212165, SH446618, SH406049, Basin Grid: 447813

ASME A112.19.3/CSA B45.4, Massachusetts Accepted, LISTED ID: SHCAUCA16R



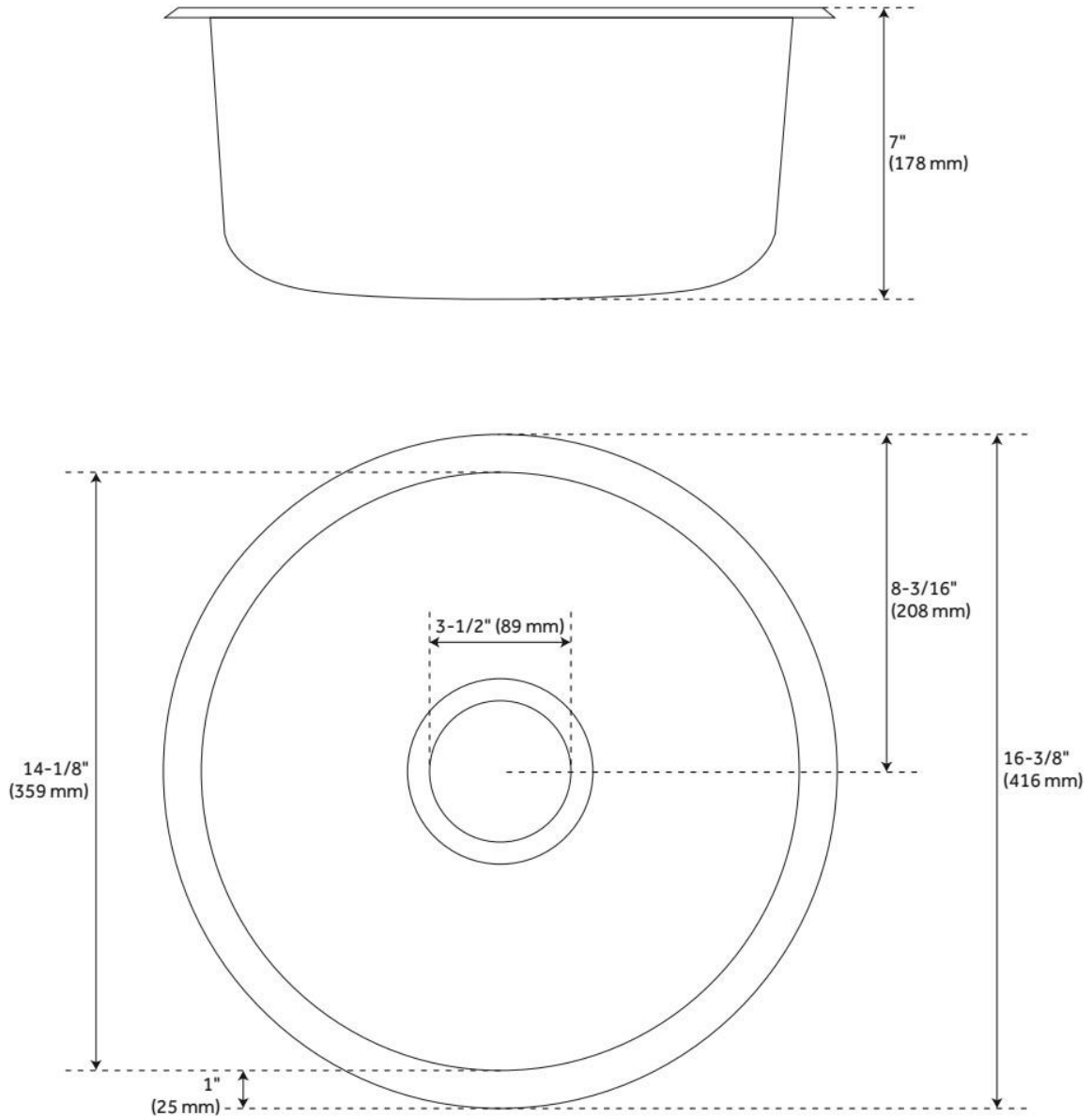
ADDITIONAL FEATURES

REVISED 3/18/2025

17" CALVERTON ROUND STAINLESS STEEL UNDERMOUNT PREP SINK

SKU: 447654

Code: SHCAUCA16R



REVISED 3/18/2025