

25" SITKA STAINLESS STEEL UNDERMOUNT KITCHEN SINK - 4-HOLE

SKU: 447674

Code: SHSKDMA2522Z4



FEATURES

- Material: Stainless Steel
- Product Finish: Stainless Steel
- Installation Type: Undermount, Drop-In
- Shape: Rectangle
- Fits Drain Hole Size: 3-1/2"
- Faucet Centers: 8"
- Overflow Hole: No
- Mounting Hardware Included: Yes

ASME A112.19.3/CSA B45.4, LISTED ID: SHSKDMA2522Z4



ADDITIONAL FEATURES

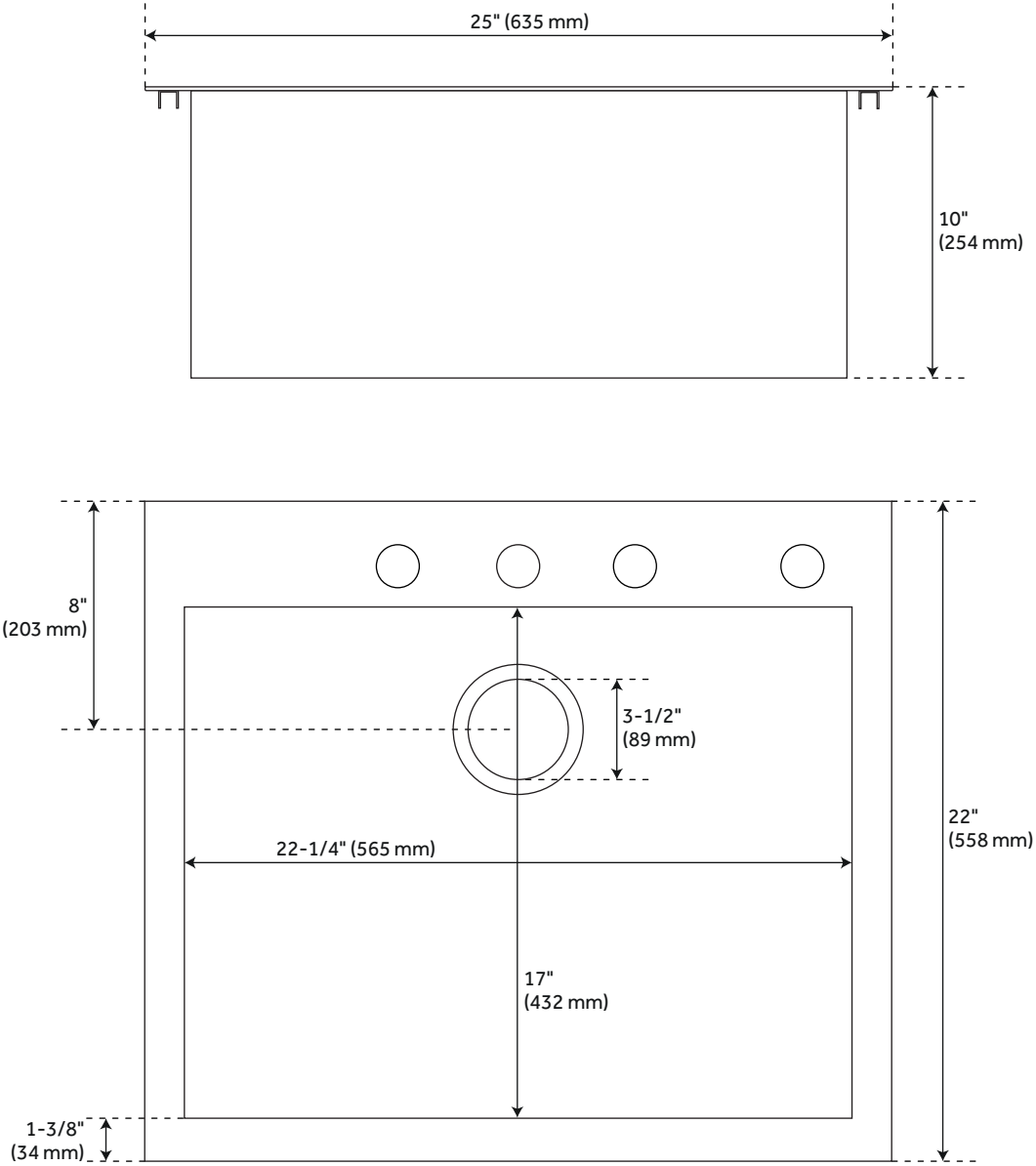
- Minimum Cabinet Size: 27".
- Type 304 stainless steel.
- It is recommended to have the sink at the job site before cutting cabinet or counter top.
- Sound absorption pads on the underside of sink.
- Has an undercoating to prevent condensation buildup.

REVISED 7/10/2024

25" SITKA STAINLESS STEEL UNDERMOUNT KITCHEN SINK - 4-HOLE

SKU: 447674

Code: SHSKDMA2522Z4



All dimensions and specifications are nominal and may vary. Use actual products for accuracy in critical situations.