

25" SITKA STAINLESS STEEL DUAL-MOUNT KITCHEN SINK - DROP-IN OR UNDERMOUNT - 4-HOLE

SKU: 447674

Code: SHSKDMA2522Z4



FEATURES

- Material: Stainless Steel
- Product Finish: Stainless Steel
- Installation Type: Drop-In, Undermount
- Shape: Rectangle
- Fits Drain Hole Size: 3-1/2"
- Faucet Centers: 8"
- Overflow Hole: No
- Mounting Hardware Included: Yes

ASME A112.19.3/CSA B45.4, LISTED ID: SHSKDMA2522Z4



ADDITIONAL FEATURES

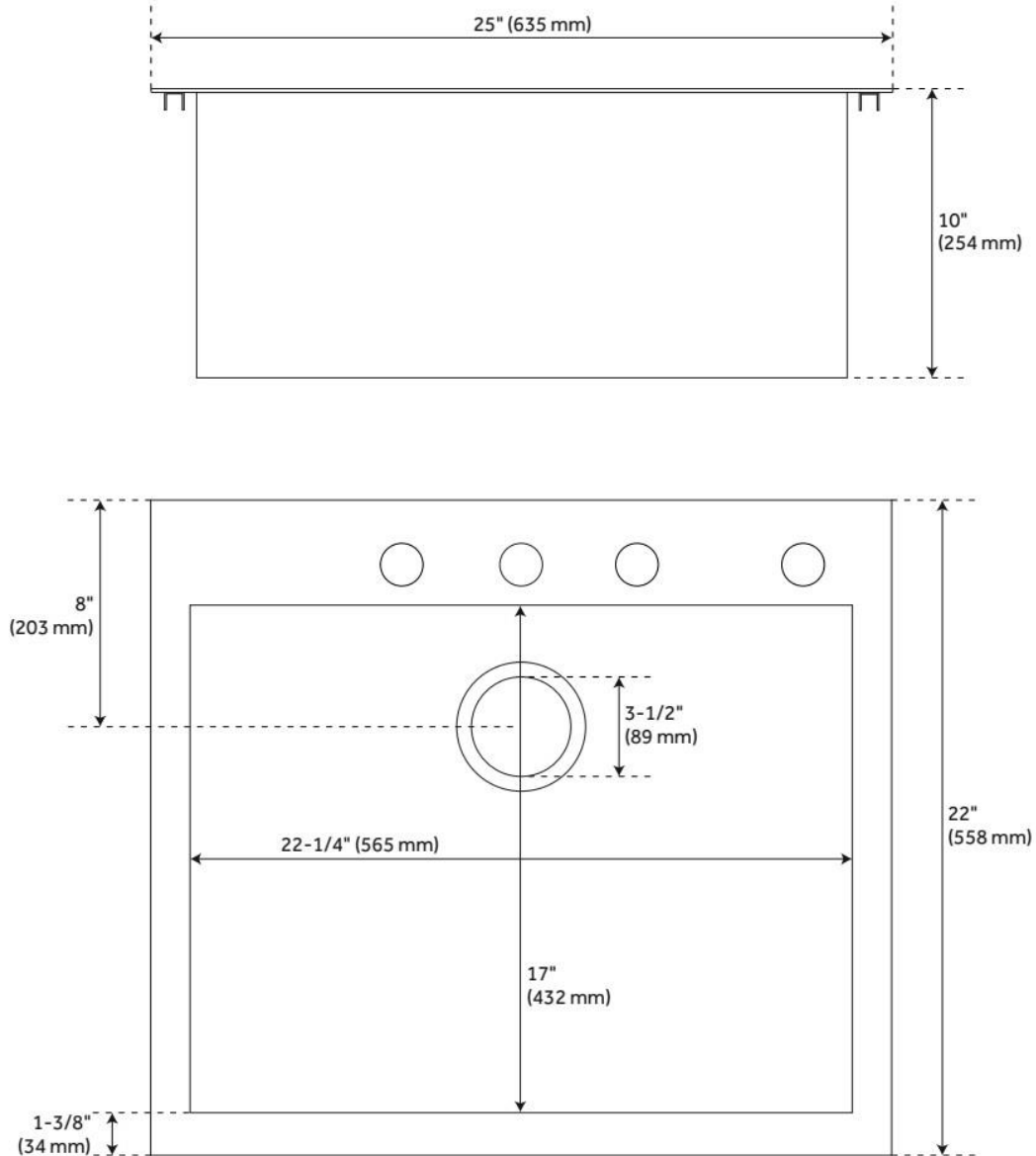
- Installation Type: drop-in or undermount
- Minimum Cabinet Size: 27".
- Type 304 stainless steel.
- It is recommended to have the sink at the job site before cutting cabinet or counter top.
- Sound absorption pads on the underside of sink.
- Has an undercoating to prevent condensation buildup.

REVISED 10/3/2024

25" SITKA STAINLESS STEEL DUAL-MOUNT KITCHEN SINK - DROP-IN OR UNDERMOUNT - 4-HOLE

SKU: 447674

Code: SHSKDMA2522Z4



REVISED 10/3/2024