

# 25" SITKA STAINLESS STEEL DUAL-MOUNT KITCHEN SINK - DROP-IN OR UNDERMOUNT - SINGLE-HOLE

SKU: 447676

Code: SHSKDMA2522Z1



## FEATURES

Material: Stainless Steel  
Product Finish: Stainless Steel  
Installation Type: Drop-In, Undermount  
Shape: Rectangle  
Drain Placement: Center Rear  
Fits Drain Hole Size: 3-1/2"  
Faucet Centers: Single-Hole  
Overflow Hole: No  
Mounting Hardware Included: Yes

Optional Accessory: Strainer: SH482757, SH482758, SH480532, SH446624, SH482759, SH480531, SH402266, SH212170, SH446628, SH171SS, SH482752, SH482753, SH480538, SH446614, SH446615, SH482754, SH480537, SH196809, SH212165, SH446618, SH406049, Basin Grid: 447420

ASME A112.19.3/CSA B45.4, LISTED ID: SHSKDMA2522Z1



## ADDITIONAL FEATURES

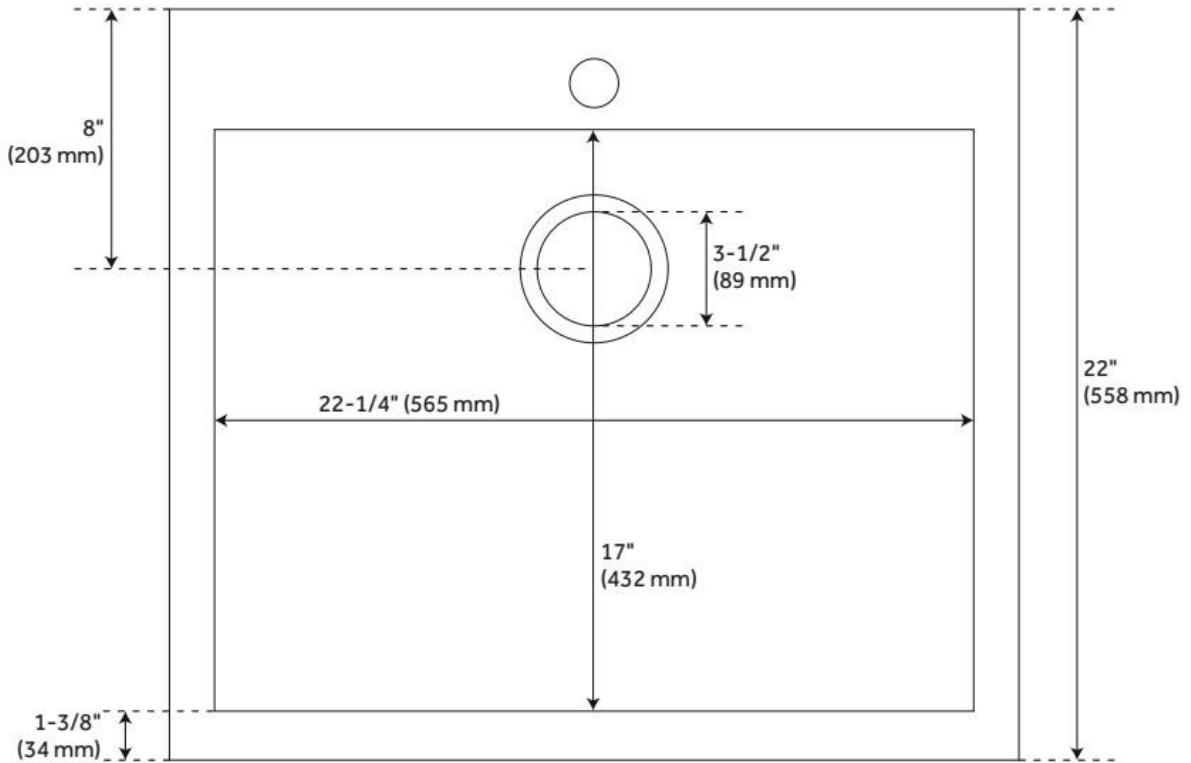
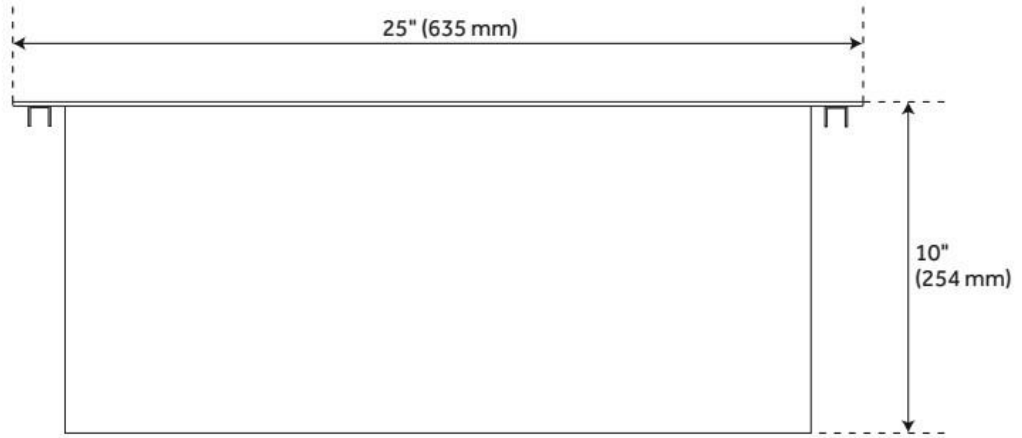
- Installation Type: drop-in or undermount
- Minimum Cabinet Size: 27".
- Type 304 stainless steel.
- It is recommended to have the sink at the job site before cutting cabinet or counter top.
- Sound absorption pads on the underside of sink.
- Has an undercoating to prevent condensation buildup.

REVISED 10/3/2024

# 25" SITKA STAINLESS STEEL DUAL-MOUNT KITCHEN SINK - DROP-IN OR UNDERMOUNT - SINGLE-HOLE

SKU: 447676

Code: SHSKDMA2522Z1



REVISED 10/3/2024