

33" SITKA STAINLESS STEEL DUAL-MOUNT KITCHEN SINK - SINGLE-HOLE - DROP-IN OR UNDERMOUNT

SKU: 447778

Code: SHSKDMA1BZ1



FEATURES

Material: Stainless Steel
Product Finish: Stainless Steel
Installation Type: Undermount, Drop-In
Shape: Rectangle
Drain Placement: Center
Fits Drain Hole Size: 3-1/2"
Faucet Centers: Single-Hole
Overflow Hole: No
Mounting Hardware Included: Yes

Optional Accessory: Strainer: SH482757, SH482758, SH480532, SH446624, SH482759, SH480531, SH402266, SH212170, SH446628, SH171SS, SH482752, SH482753, SH480538, SH446614, SH446615, SH482754, SH480537, SH196809, SH212165, SH446618, SH406049, Basin Grid: 447678

ASME A112.19.3/CSA B45.4, LISTED ID: SHSKDMA1BZ1



ADDITIONAL FEATURES

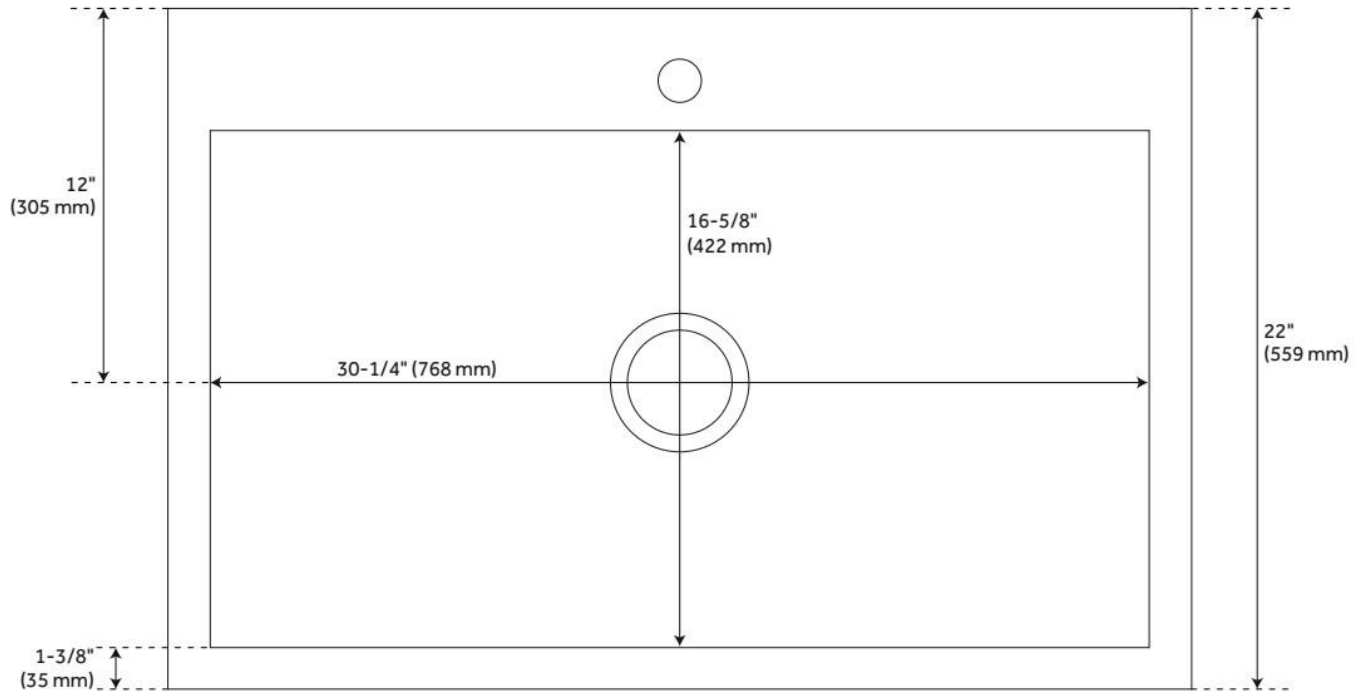
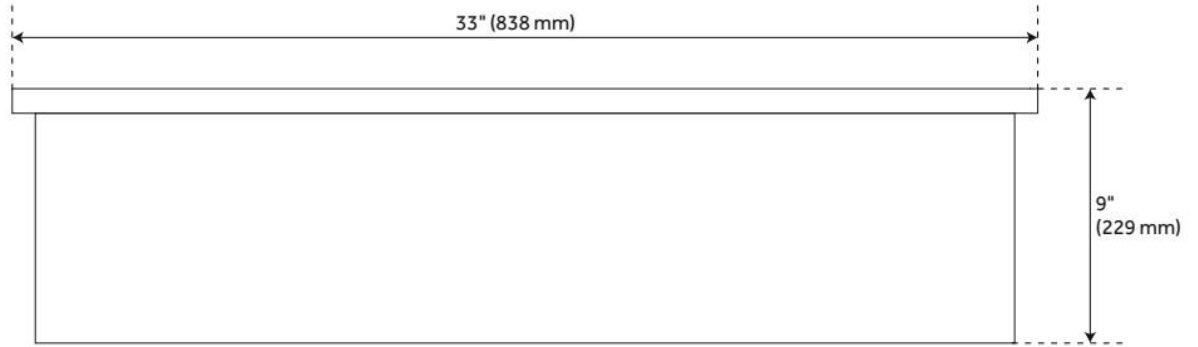
- Installation Type: drop-in or undermount
- Minimum Cabinet Size: 36".
- Type 304 stainless steel.
- It is recommended to have the sink at the job site before cutting cabinet or counter top.
- Sound absorption pads on the underside of sink.
- Has an undercoating to prevent condensation buildup.

REVISED 1/30/2025

33" SITKA STAINLESS STEEL DUAL-MOUNT KITCHEN SINK - SINGLE-HOLE - DROP-IN OR UNDERMOUNT

SKU: 447778

Code: SHSKDMA1BZ1



REVISED 1/30/2025