

20" SAWGRASS WHITE RECTANGULAR PORCELAIN UNDERMOUNT BATHROOM SINK

SKU: 447963
Code: SHU1811



FEATURES

Material: Porcelain
Product Finish: White
Installation Type: Undermount
Shape: Rectangle
Drain Placement: Center
Fits Drain Hole Size: 1-3/4"
Faucet Centers: No Faucet Hole
Overflow Hole: Yes
Mounting Hardware Included: Yes

ASME A112.19.2/CSA B45.1, Massachusetts Accepted, LISTED ID: SHU1811WH

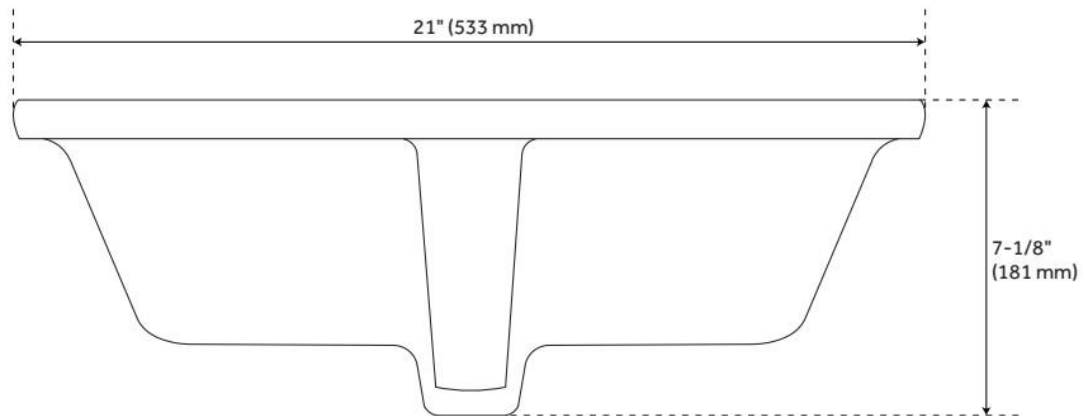
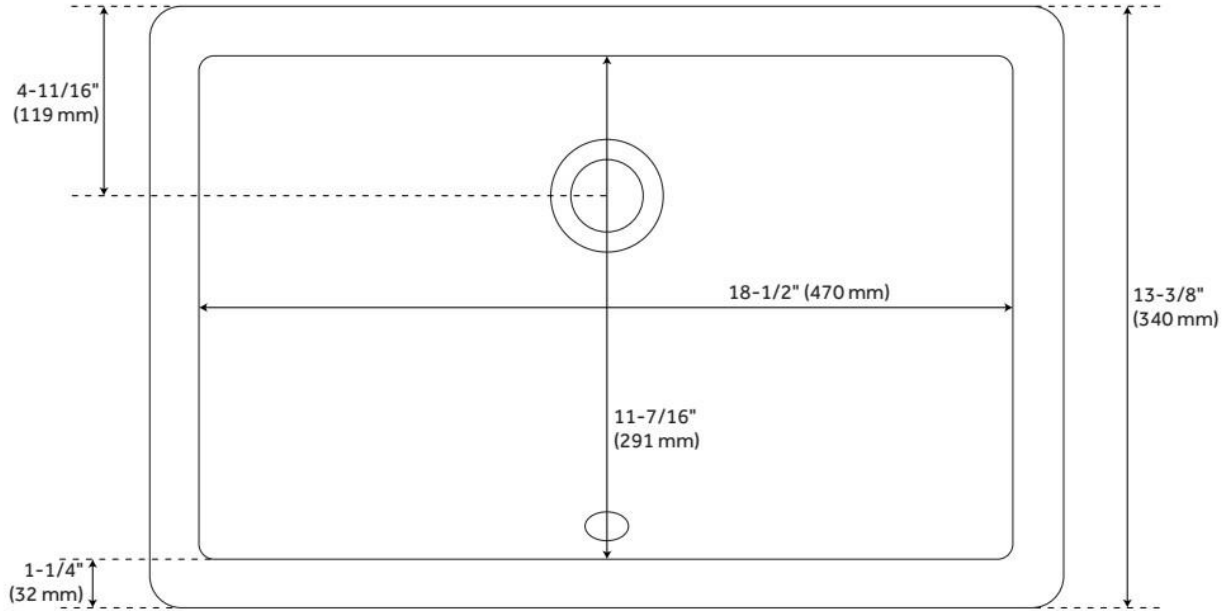


ADDITIONAL FEATURES

REVISED 4/17/2026

20" SAWGRASS WHITE RECTANGULAR PORCELAIN UNDERMOUNT BATHROOM SINK

SKU: 447963
Code: SHU1811



REVISED 4/17/2026