

17" MANGROVE OVAL PORCELAIN UNDERMOUNT BATHROOM SINK - WHITE

SKU: 447970
Code: SHU1714



FEATURES

Installation Type: Undermount
Material: Porcelain
Length: 19-1/2"
Width: 16"
Height: 7-1/2"
Sink Shape: Oval
Number of Basins: 1
Sink Installation: Undermount
Faucet Centers: No Faucet Hole
Overflow Hole: Yes
Basin Length: 17-3/8"
Basin Width: 14-1/2"
Basin Depth: 5-1/2"
Water Depth To Overflow: 4-1/2"
Rim Thickness: 1"
Fits Drain Hole Size: 1-5/8"
Interior Treatment: Smooth
Drain Included: No
Faucet Included: No
Sink Material: Porcelain
Water Depth to Rim: 5-1/2"
Weight: 19

IAPMO
ASME A112.19.2/CSA B45.1



REVISED 1/11/2024

17" MANGROVE OVAL PORCELAIN UNDERMOUNT BATHROOM SINK - WHITE

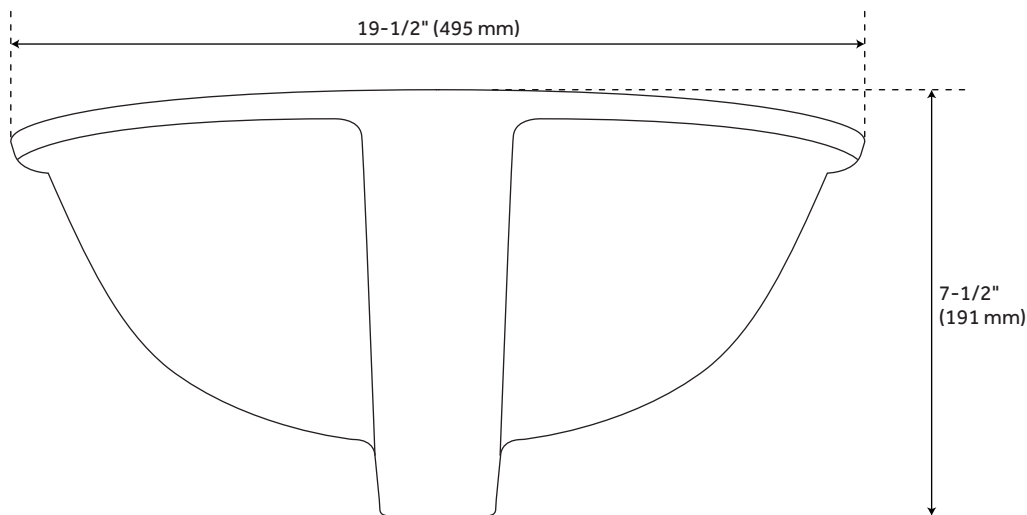
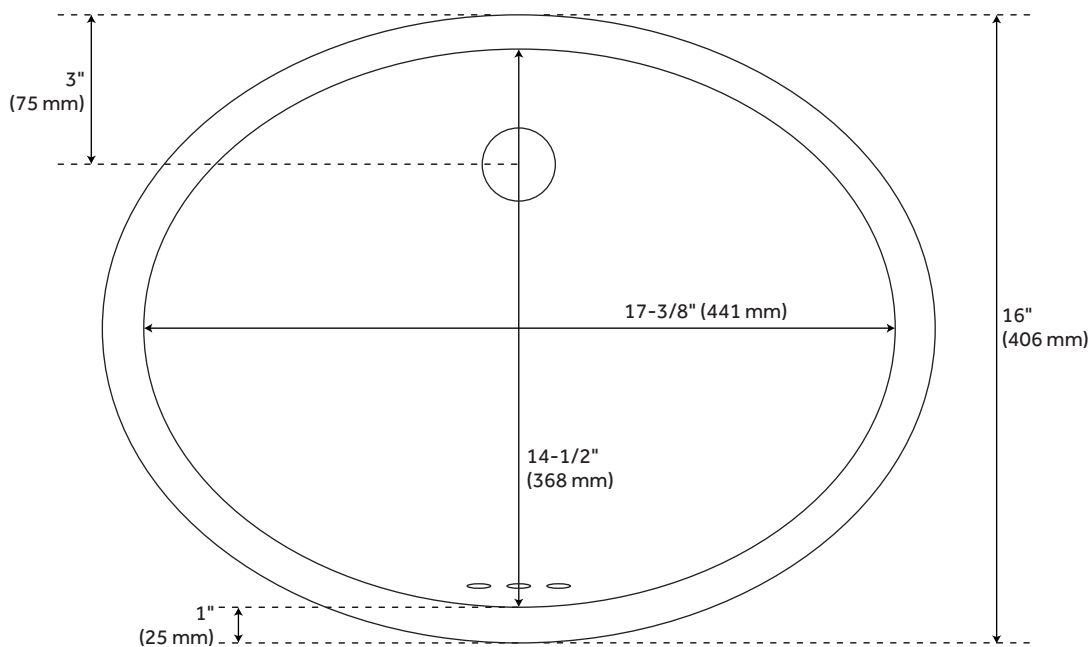
SKU: 447970
Code: SHU1714



ADDITIONAL FEATURES

REVISED 1/11/2024

17" MANGROVE OVAL PORCELAIN UNDERMOUNT BATHROOM SINK



All dimensions and specifications are nominal and may vary. Use actual products for accuracy in critical situations.