

# 19" MANGROVE WHITE OVAL PORCELAIN UNDERMOUNT BATHROOM SINK

SKU: 447972  
Code: SHU1915



## FEATURES

Material: Porcelain  
Product Finish: White  
Installation Type: Undermount  
Shape: Oval  
Drain Placement: Center Rear  
Fits Drain Hole Size: 1-3/4"  
Faucet Centers: No Faucet Hole  
Overflow Hole: Yes  
Mounting Hardware Included: Yes

IAPMO, ASME A112.19.2/CSA B45.1, Massachusetts Accepted, LISTED ID: SHU1915WH

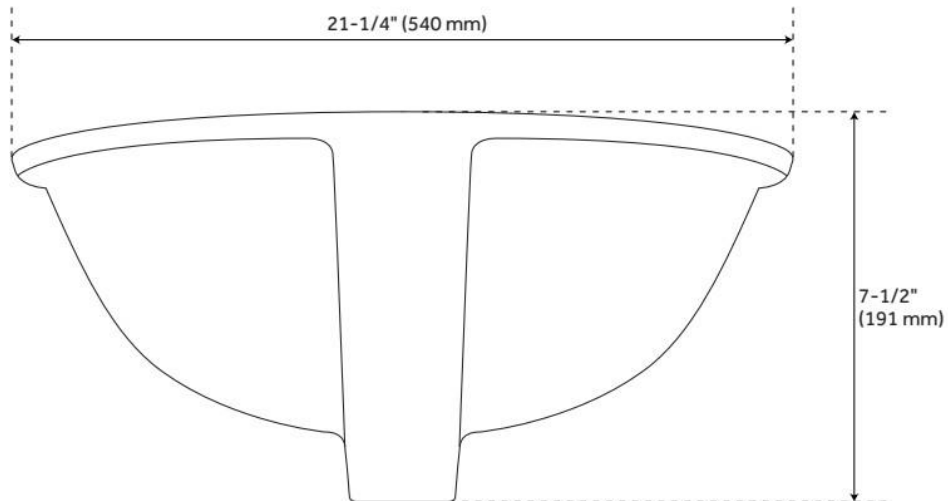
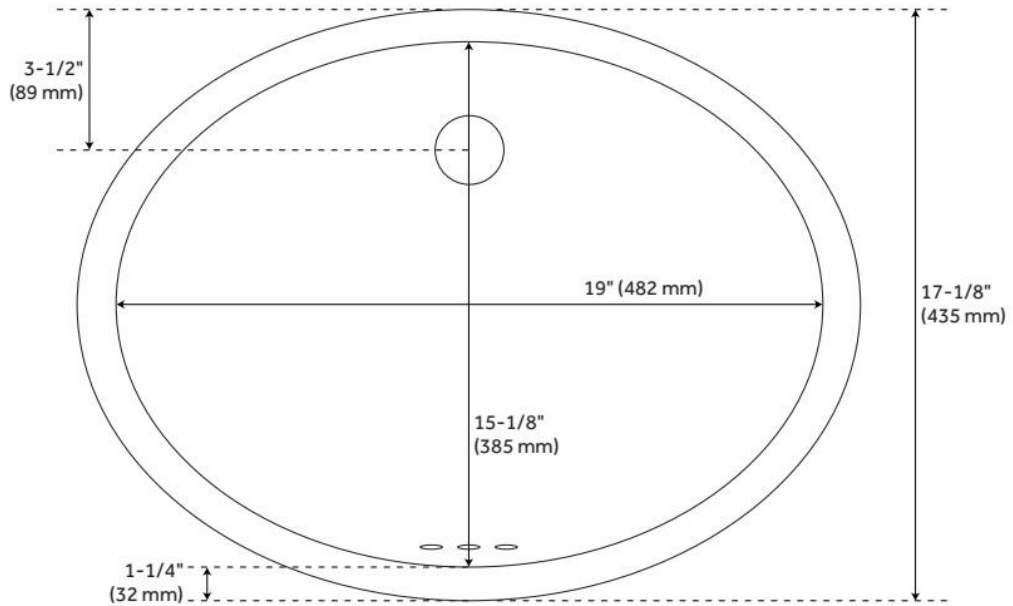


## ADDITIONAL FEATURES

REVISED 7/24/2024

# 19" MANGROVE WHITE OVAL PORCELAIN UNDERMOUNT BATHROOM SINK

SKU: 447972  
Code: SHU1915



REVISED 7/24/2024