

FREESTANDING TUB FAUCET ROUGH-IN VALVE WITH STOPS

SKU: 448006
Code: SHFSR2000WS

FEATURES

Material: Metal construction for strength and durability



ASME A112.18.1/CSA B125.1, Massachusetts Accepted, LISTED ID: SHFSR2000WS



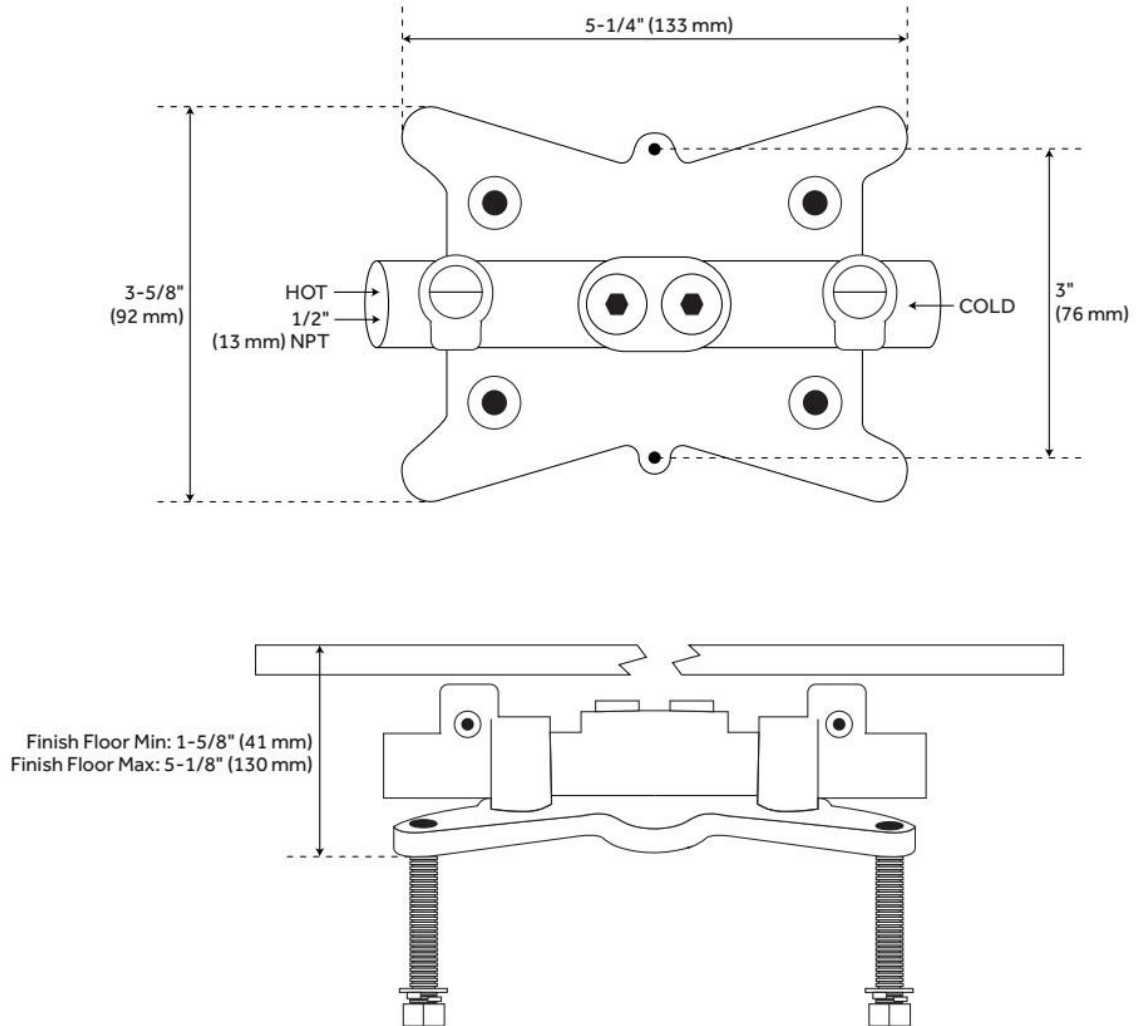
ADDITIONAL FEATURES

- Not compatible with the Ryle, Napier, Keswick, Cooper, and Cybelle Freestanding Tub Faucets.

REVISED 5/13/2024

FREESTANDING TUB FAUCET ROUGH-IN VALVE WITH STOPS

SKU: 448006
Code: SHFSR2000WS



REVISED 5/13/2024