

15" ORTEGA STAINLESS STEEL UNDERMOUNT PREP SINK

SKU: 448360

Code: SHORUCA1515



FEATURES

Material: Stainless Steel

Product Finish: Stainless Steel

Installation Type: Undermount

Shape: Square

Drain Placement: Center

Fits Drain Hole Size: 3-1/2"

Faucet Centers: No Faucet Hole

Overflow Hole: No

Mounting Hardware Included: Yes

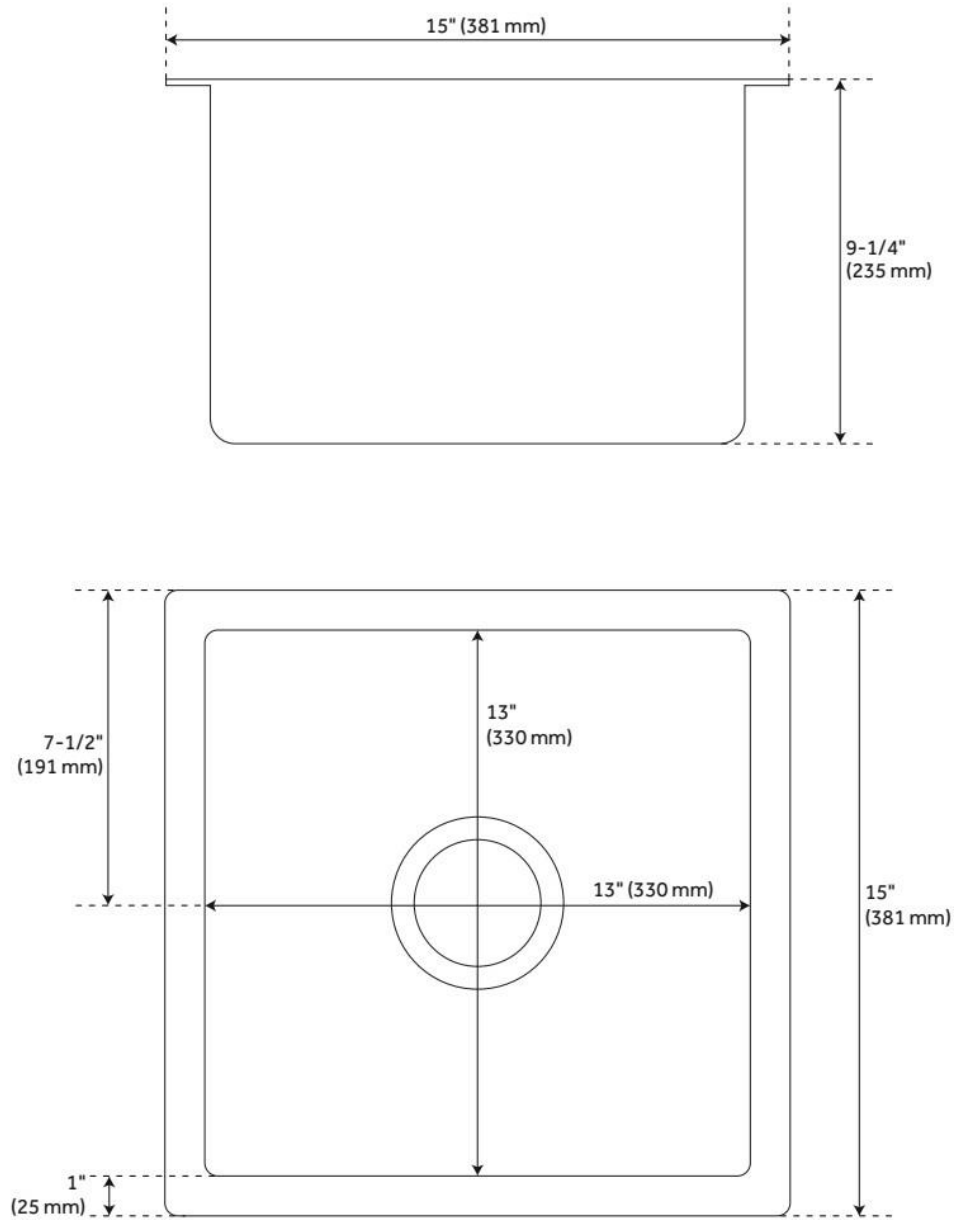
ASME A112.19.3/CSA B45.4, LISTED ID: SHORUCA1515



REVISED 7/8/2024

15" ORTEGA STAINLESS STEEL UNDERMOUNT PREP SINK

SKU: 448360
Code: SHORUCA1515



REVISED 7/8/2024