

29" ORTEGA STAINLESS STEEL UNDERMOUNT KITCHEN SINK

SKU: 448361
Code: SHORUCA2918



FEATURES

Material: Stainless Steel
Product Finish: Stainless Steel
Installation Type: Undermount
Shape: Rectangle
Drain Placement: Center Rear
Fits Drain Hole Size: 3-1/2"
Faucet Centers: No Faucet Hole
Overflow Hole: No
Mounting Hardware Included: Yes

Optional Accessory: Strainer: SH482757, SH482758, SH480532, SH446624, SH482759, SH480531, SH402266, SH212170, SH446628, SH171SS, SH482752, SH482753, SH480538, SH446614, SH446615, SH482754, SH480537, SH196809, SH212165, SH446618, SH406049, Basin Grid: 459706

ASME A112.19.3/CSA B45.4, LISTED ID: SHORUCA2918



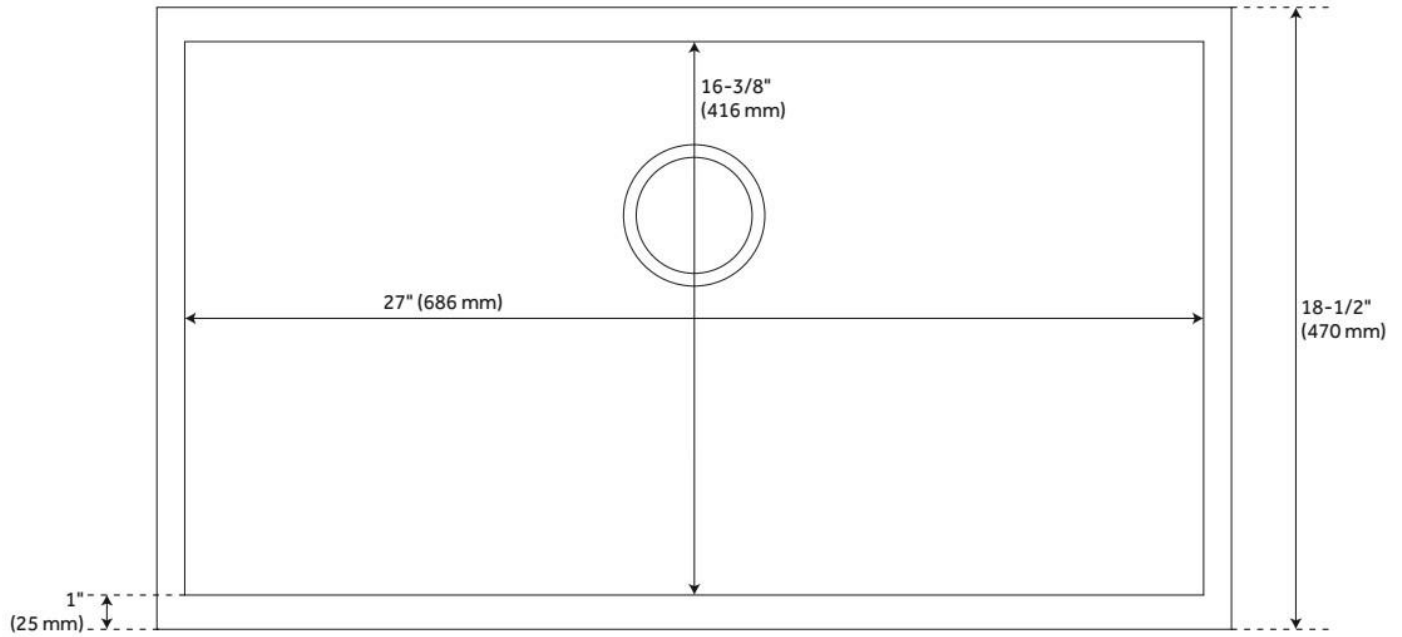
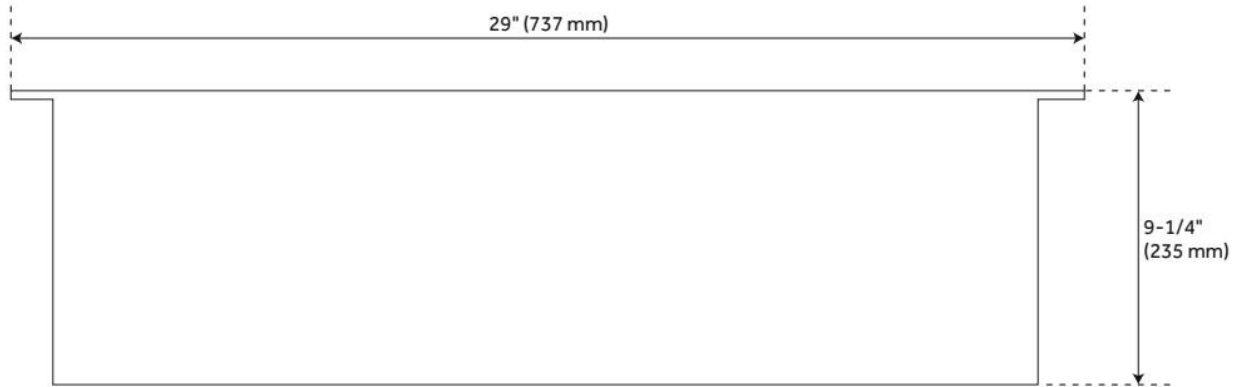
ADDITIONAL FEATURES

- It is recommended to have the sink at the job site before cutting cabinet or counter top.
- Sound absorption pads on the underside of sink.
- Has an undercoating to prevents condensation buildup.
- Sink Grid Measurements: 26-5/8" L x 16-1/8" W.

REVISED 7/15/2024

29" ORTEGA STAINLESS STEEL UNDERMOUNT KITCHEN SINK

SKU: 448361
Code: SHORUCA2918



REVISED 7/15/2024