

# PRESSURE BALANCE ROUGH-IN VALVE FOR SIMPLE SELECT TRIMS

SKU: 460073  
Code: SH5001SSGG



## FEATURES

Material: Bronze  
Flow Rate: 7.4 gpm (28.0 L/min) @ 80 psi  
Connection Type: 1/2" MIP and SWT  
Diverter Outlets: 2  
Cartridge Type: Ceramic Disc

IAPMO, ASME A112.18.1/CSA B125.1, ASSE 1016 Type P, Massachusetts Accepted, LISTED ID: SH5001SSG



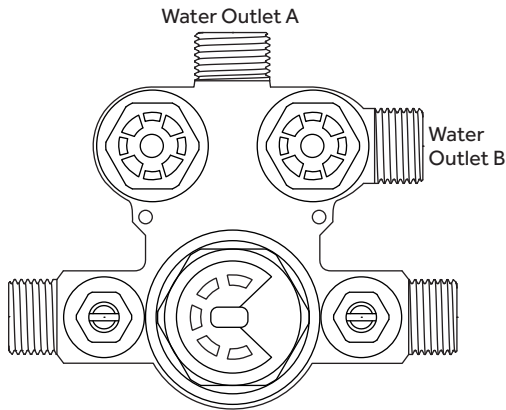
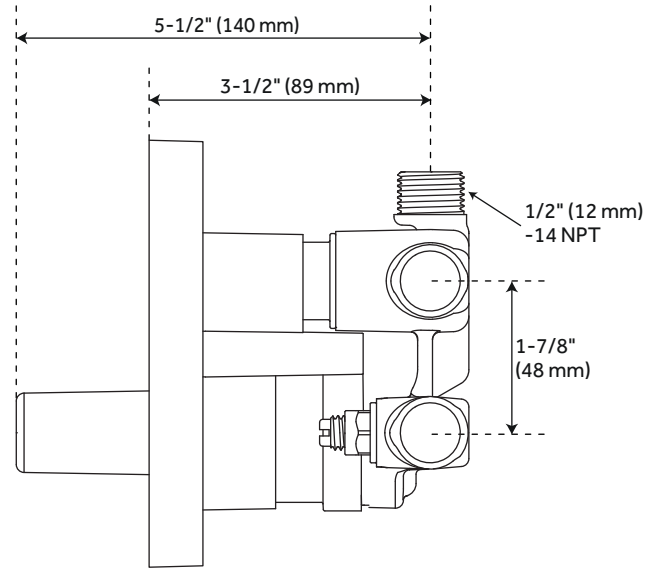
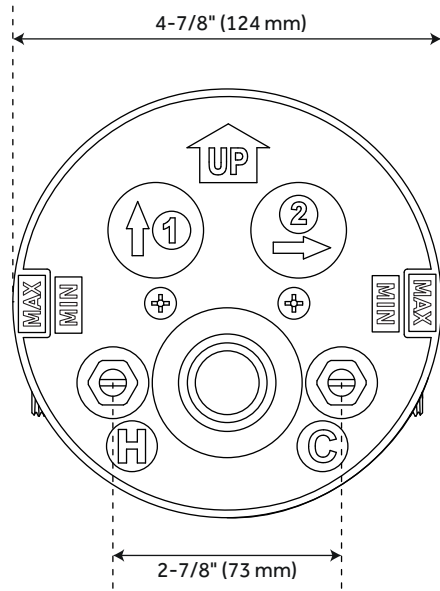
## ADDITIONAL FEATURES

- Dual functionality allows for one or both shower features to run at a time.
- Pressure balanced with integral stops.
- One-piece cartridge design for ease of maintenance.
- Back-to-back capability.
- Adjustable temperature limit stop.
- Cast bronze body.
- Quick remove plaster guard.
- Easy mounting brackets.
- Compatible with Greyfield and Hibiscus Simple Select trims.

REVISED 5/29/2024

# PRESSURE BALANCE ROUGH-IN VALVE FOR SIMPLE SELECT TRIMS

SKU: 460073  
SH5001SSGG



## STANDARD:

| Pressure (psi)                     |                | 20  | 40  | 60  | 80  |
|------------------------------------|----------------|-----|-----|-----|-----|
| Simultaneous<br>(Both Valves Open) | Total (gpm)    | 3.4 | 5   | 6.3 | 7.4 |
|                                    | Outlet A (gpm) | 1.2 | 2.2 | 2.9 | 3.5 |
|                                    | Outlet B (gpm) | 2.2 | 2.8 | 3.4 | 3.9 |
| Separate<br>(A or B Closed)        | Outlet A (gpm) | 2.5 | 3.9 | 4.8 | 5.5 |
|                                    | Outlet B (gpm) | 2.5 | 3.9 | 4.8 | 5.5 |

## WITH FLOW RESTRICTOR:

| Pressure (psi)                     |                | 20   | 40   | 60   | 80   |
|------------------------------------|----------------|------|------|------|------|
| Simultaneous<br>(Both Valves Open) | Total (gpm)    | 1.20 | 1.40 | 1.53 | 1.64 |
|                                    | Outlet A (gpm) | 0.43 | 0.56 | 0.64 | 0.68 |
|                                    | Outlet B (gpm) | 0.77 | 0.84 | 0.89 | 0.96 |
| Separate<br>(A or B Closed)        | Outlet A (gpm) | 1.17 | 1.38 | 1.49 | 1.59 |
|                                    | Outlet B (gpm) | 1.16 | 1.39 | 1.49 | 1.60 |

All dimensions and specifications are nominal and may vary. Use actual products for accuracy in critical situations.