

72" SHEBA ACRYLIC DOUBLE-SLIPPER TUB - AIR MASSAGE WITH FOAM

SKU: 462583
Code: SH462583



FEATURES

Tub Material: Acrylic
Product Finish: White
Shape: Oval
Tub Drain Placement: Center
Drain Included: Yes
Drain and Overflow Finish: White
Water Depth to Overflow: 15-3/8"
Water Capacity (Gallons): 65
Built-In Adjusters: Yes
Tub Weight Uncrated (lbs): 114

ASME A112.19.7/CSA B45.10, Massachusetts Accepted, LISTED ID: SHSBFSODS7231FAWH



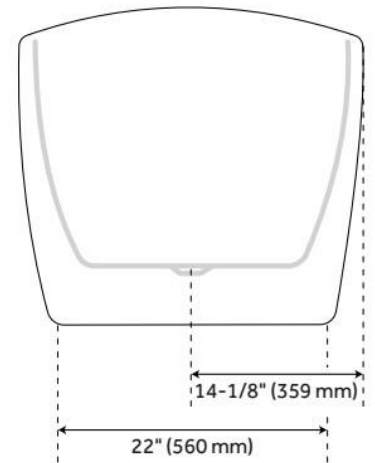
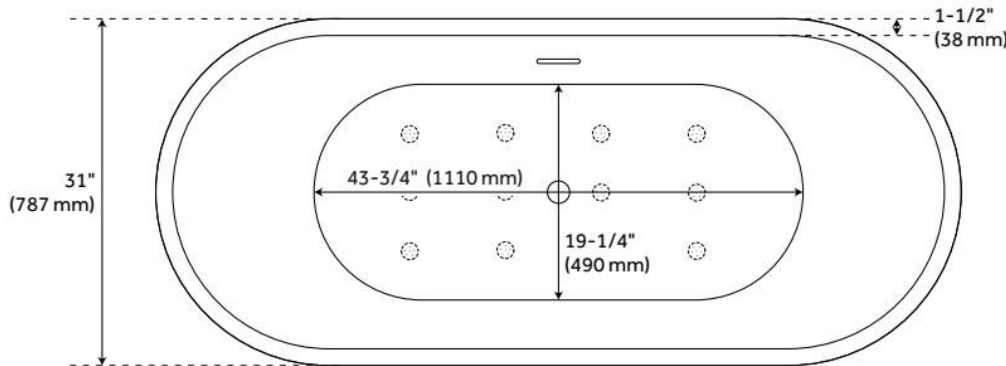
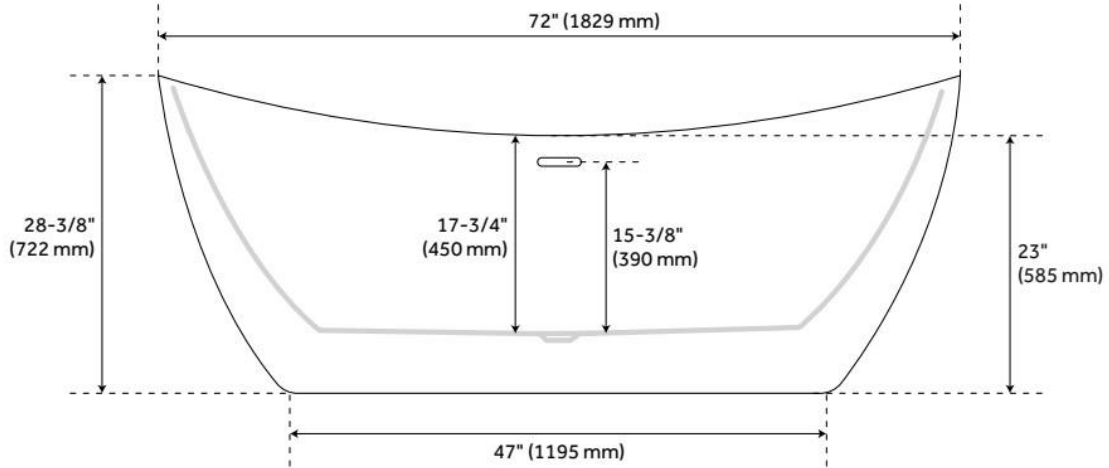
ADDITIONAL FEATURES

- All dimensions are ($\pm 1/2$ ").
- Features 12 air jets that massage and relax. Remote control works within 15-foot radius and is designed to float.
- Foam Insulation increases heat retention and prevents condensation due to water and air temperature fluctuations.

REVISED 8/2/2024

72" SHEBA ACRYLIC DOUBLE-SLIPPER TUB - AIR MASSAGE WITH FOAM

SKU: 462583
Code: SH462583



REVISED 8/2/2024

72" SHEBA ACRYLIC DOUBLE-SLIPPER TUB - AIR MASSAGE WITH FOAM

SKU: 462583
Code: SH462583

COMPONENTS LIST

- BM-TWP BALL CHECK VALVE JETS
- MANI-SD-A SECURITY DEVICE
- MAN-A-4-AC MANIFOLD
- SILVER SLS+ VARIABLE SPEED BLOWER

INSTALLATION

Install blower behind a wall (with an access panel) or in a closet. Blower can also be installed under floor. Ensure the security device, MANI-SD-A, is at least:

- 2" Above the tub rim

Security device and hose can be mounted in wall

REMOTE CONTROL

- CG+/RTC-SENSOR-WP
- 12 – 15 YEAR BATTERY LIFE

INSIDE OF BATH

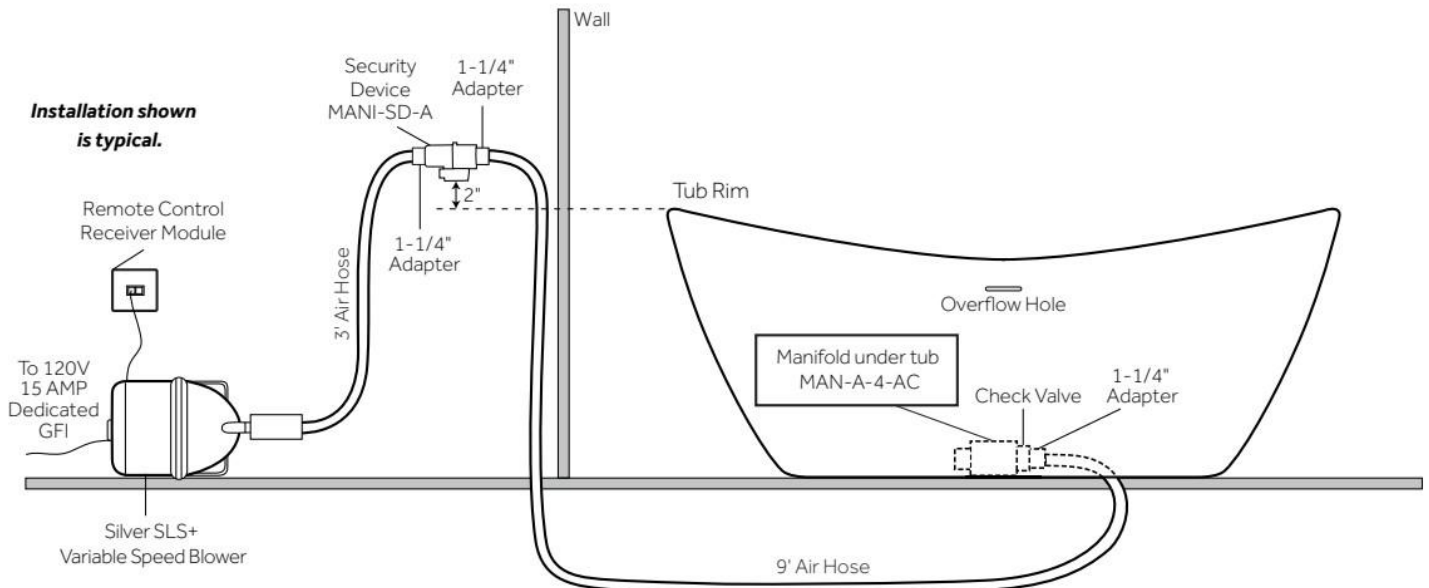
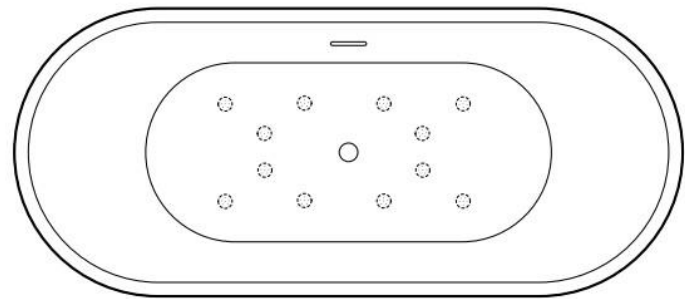
- (12) MAXI AIR JETS WITH 24 OPENINGS



ELBOWS FOR
AIR JETS



TEES FOR
AIR JETS



REVISED 8/2/2024