

59" CATINO SOLID SURFACE FREESTANDING TUB - MATTE FINISH

SKU: 466609

Code: SHCTFSO5929



FEATURES

Tub Material: Solid Surface

Product Finish: White

Shape: Oval

Tub Drain Placement: Center

Drain Included: Yes

Drain and Overflow Finish: White

Water Depth to Overflow: 14-7/16"

Water Capacity (Gallons): 58

Built-In Adjusters: Yes

Tub Weight Uncrated (lbs): 220

Optional Accessory: 428473

CSA B45.5/IAPMO Z124, Massachusetts Accepted, LISTED ID: SHCTFSO5929MWH



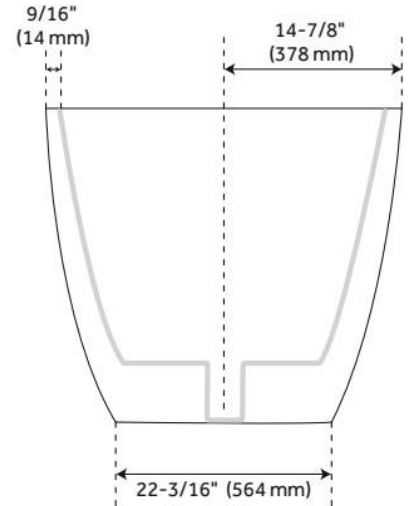
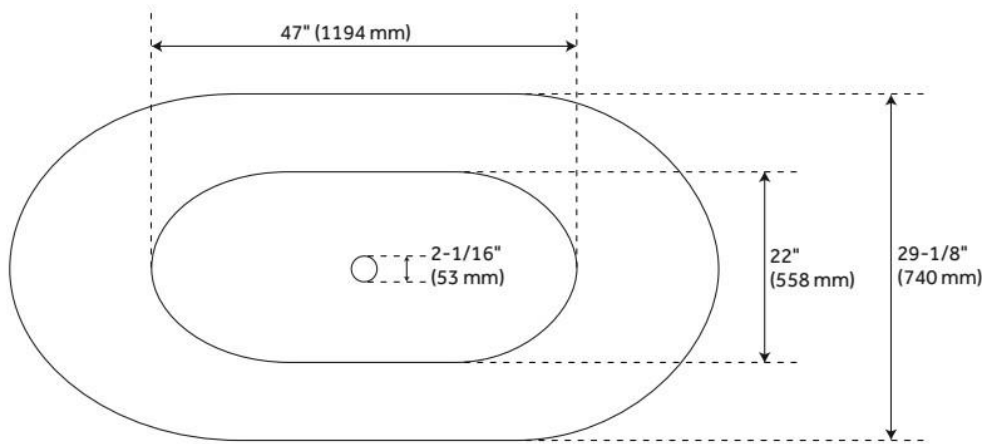
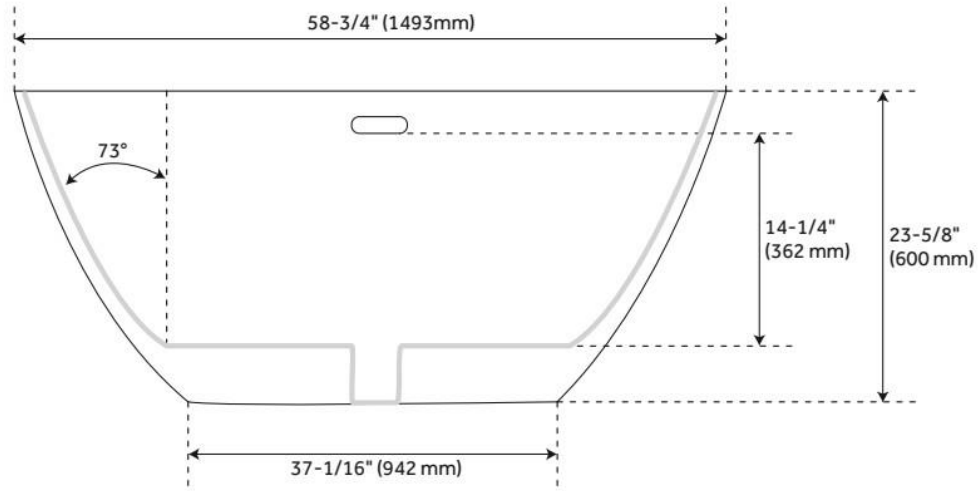
ADDITIONAL FEATURES

- All dimensions ($\pm 1/2$ ").
- White Pop-Up drain included.
- Leveling legs for simplified installation.
- Optional Quick Connect Drop-In Drain Kit Includes:
 - Floor Plate, 1-1/2" PVC Pipe, 2" x 1-1/2" Trap Adapters, 1 Brass Threaded, 1 Brass Unthreaded Tailpiece and Plug.
 - Installs above your subfloor, but underneath your cement floor or tile, so you do not need access below the fixture.

REVISED 6/25/2024

59" CATINO SOLID SURFACE FREESTANDING TUB - MATTE FINISH

SKU: 466609
Code: SHCTFSO5929



REVISED 6/25/2024