

66" CATINO SOLID SURFACE FREESTANDING TUB - MATTE FINISH

SKU: 466610
Code: SHCTFSO6632



ASSE 1016 Type P/T

FEATURES

Installation Type: Freestanding
Features: Integral Drain & Overflow
Design: Modern
Product Finish: White
Material: Solid Surface
Length: 66"
Width: 32"
Height: 23-5/8"
Water Depth To Overflow: 14-7/16"
Exterior Treatment: Matte
Interior Treatment: Matte
Drain Included: Yes
Drain Finish: White
Faucet Included: No
Shape: Oval
Tub Overflow: Yes
Integral Drain & Overflow: Yes
Tub Interior Length: 52-3/8"
Tub Interior Width: 23-9/16"
Tap Deck: No
Faucet Drillings: No Drillings
Water Capacity (Gallons): 77
Built-In Adjusters: Yes
Tub Weight Uncrated (lbs): 255
Tub Weight Crated (lbs): 319
Weight: 350.0000

REVISED 2/8/2024

66" CATINO SOLID SURFACE FREESTANDING TUB - MATTE FINISH

SKU: 466610

Code: SHCTFSO6632

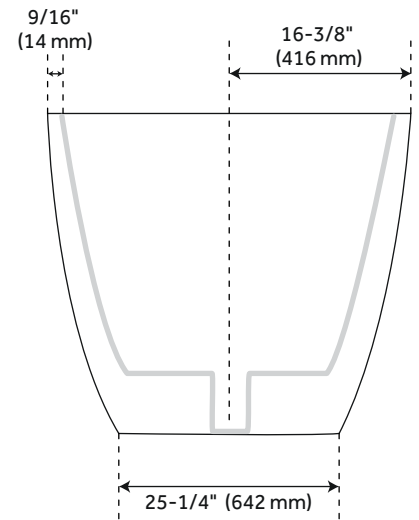
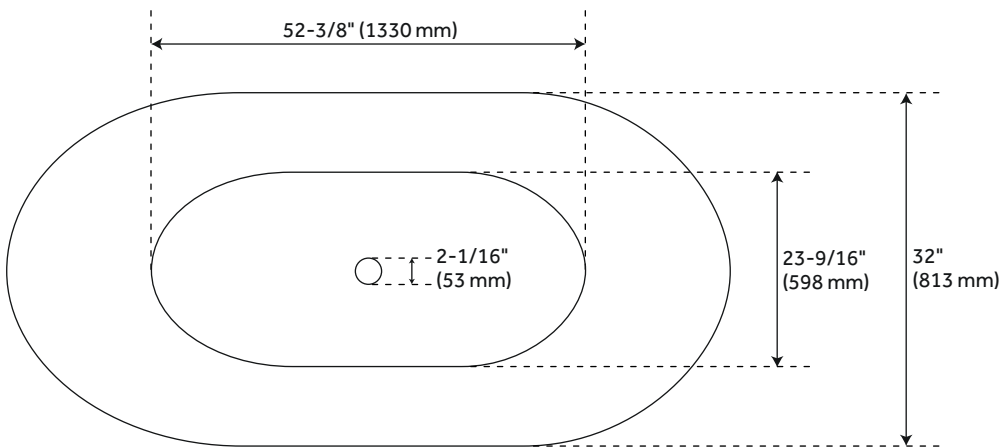
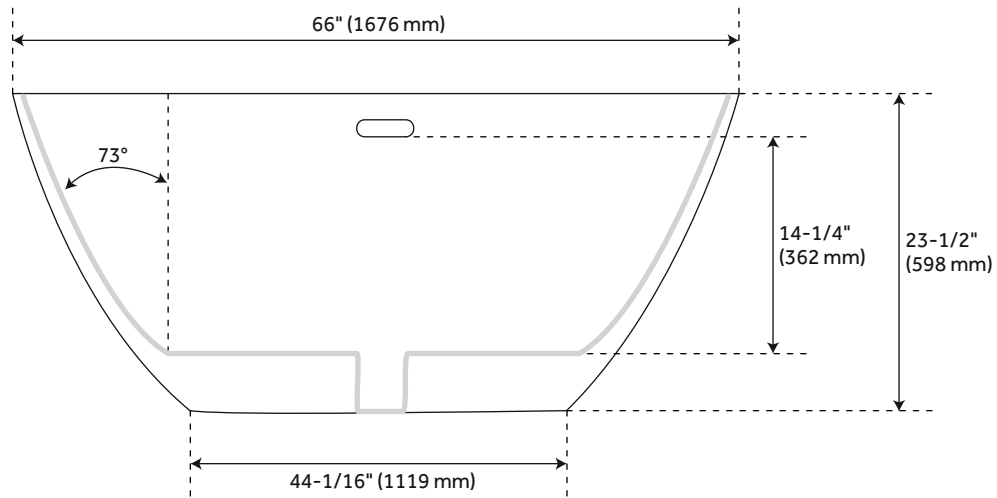


ADDITIONAL FEATURES

- All dimensions ($\pm 1/2"$).
- White Pop-Up drain included.
- Leveling legs for simplified installation.
- Optional Quick Connect Drop-In Drain Kit Includes:
 - Floor Plate, 1-1/2" PVC Pipe, 2" x 1-1/2" Trap Adapters, 1 Brass Threaded, 1 Brass Unthreaded Tailpiece and Plug.
 - Installs above your subfloor, but underneath your cement floor or tile, so you do not need access below the fixture.

REVISED 2/8/2024

66" CATINO SOLID SURFACE FREESTANDING TUB - MATTE FINISH



All dimensions and specifications are nominal and may vary. Use actual products for accuracy in critical situations.