

30" NOVAK TEAK VANITY WITH RECTANGULAR UNDERMOUNT SINK - TEAK

SKU: 953363-30-RUMB

Code: SH480904, SH478852, SH478854, SH478849, SH478850, SH478857, SH478851, SH478855, SH478853, SH478848, SH478856



FEATURES

Installation Type: Freestanding
Features: Matching Mirror;Soft-Close Hinges
Product Finish: Teak
Material: Teak
Number of Doors: 2
Number of Drawers: 1
Width: 30"
Height: 34"
Depth: 21-1/2"
Assembly Required: No
Dovetail Drawers: Yes
Number of Basins: 1
Sink Installation: Undermount - Rectangle
Fits Drain Hole Size: 1-1/2"
Faucet Included: No
Vanity Top Thickness: 3cm
Hardware Finish: Brass
Built-In Adjusters: Yes
Sink Included: yes
Basin Overflow: Yes
Vanity Top Included: yes
Vanity Top Depth: 22"
Vanity Top Width: 31"
Mirror Included: No

REVISED 6/8/2023

30" NOVAK TEAK VANITY WITH RECTANGULAR UNDERMOUNT SINK - TEAK

SKU: 953363-30-RUMB

Code: SH480904, SH478852, SH478854, SH478849, SH478850, SH478857, SH478851, SH478855, SH478853, SH478848, SH478856

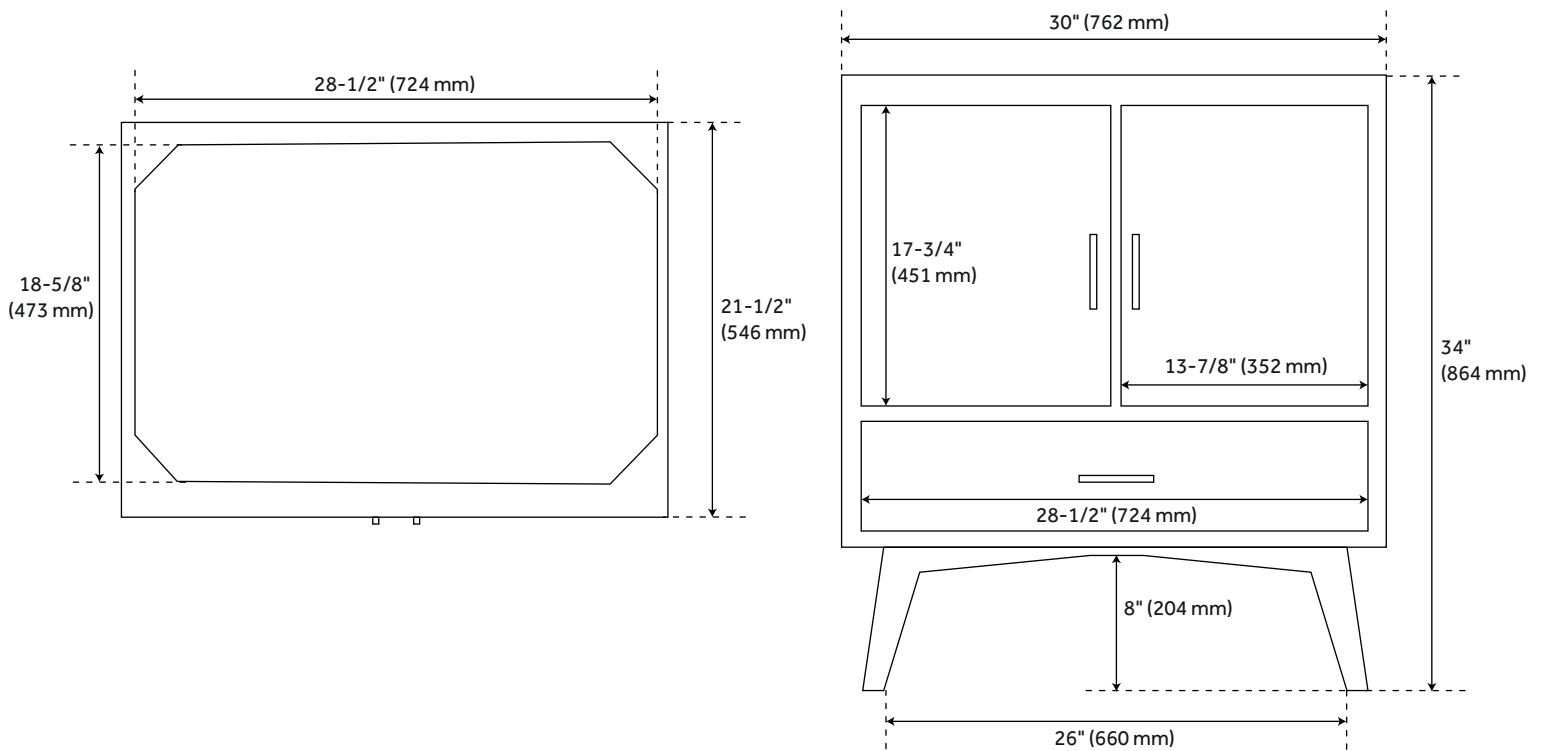


ADDITIONAL FEATURES

- Each stone top is carved from a single piece of stone and will feature natural variations.
- Teak top is kiln dried and sanded to a smooth finish.
- Teak top has a monocoat oil finish. Monocoat is a plant-based, non-toxic, environmentally friendly wood finish that protects and restores with one coat. Use monocoat cleaning agents only to care for and maintain this finish.
- 2" diameter cutout for sink.
- We will drill your faucet hole to fit the sink on your order. If no sink is ordered, we will drill the faucet hole to fit a standard 16-1/2" sink.
- See Installation Instructions for directions to attach the vanity top and sink.
- [Wood finish samples available.](#)

REVISED 6/8/2023

30" NOVAK TEAK VANITY - TEAK



All dimensions and specifications are nominal and may vary. Use actual products for accuracy in critical situations.