

# 48" NOVAK TEAK VANITY WITH UNDERMOUNT SINK - TEAK

SKU: 953363-48-UM

Code: SH478927, SH478925, SH478926, SH478928, SH478924



## FEATURES

Installation Type: Freestanding  
Features: Matching Mirror;Soft-Close Hinges  
Product Finish: Teak  
Material: Teak  
Number of Doors: 2  
Number of Drawers: 7  
Width: 48"  
Height: 34"  
Depth: 21-1/2"  
Assembly Required: No  
Dovetail Drawers: Yes  
Number of Basins: 1  
Sink Installation: Undermount - Oval  
Fits Drain Hole Size: 1-1/2"  
Faucet Included: No  
Vanity Top Thickness: 3cm  
Hardware Finish: Brass  
Built-In Adjusters: Yes  
Sink Included: yes  
Basin Overflow: Yes  
Vanity Top Included: yes  
Vanity Top Depth: 22"  
Vanity Top Width: 49"  
Mirror Included: No

REVISED 6/8/2023

# 48" NOVAK TEAK VANITY WITH UNDERMOUNT SINK - TEAK

SKU: 953363-48-UM

Code: SH478927, SH478925, SH478926, SH478928, SH478924

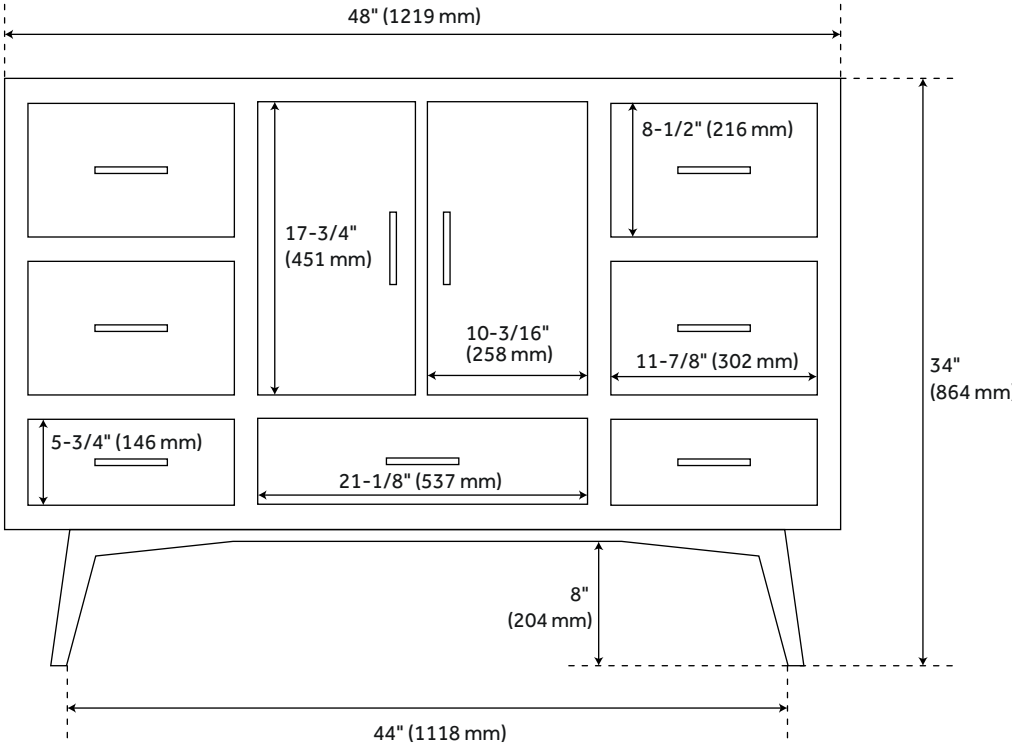
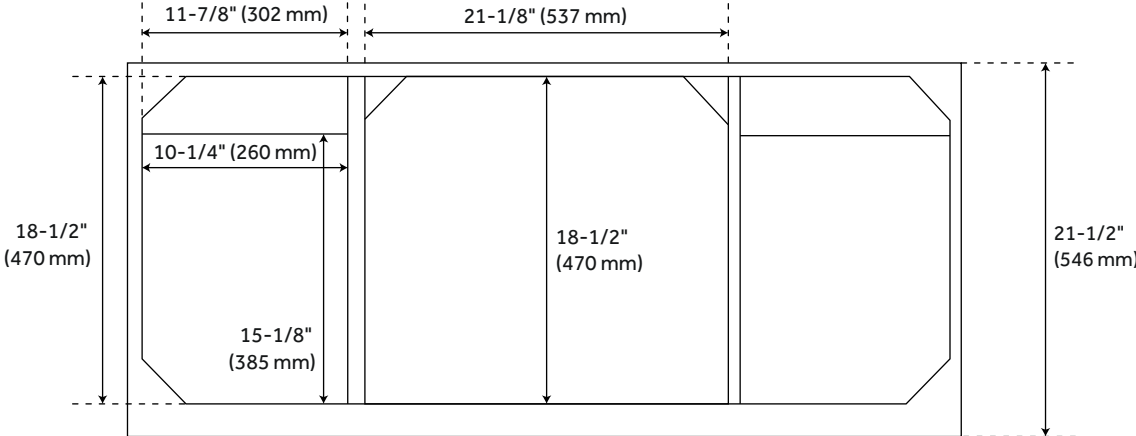


## ADDITIONAL FEATURES

- Each stone top is carved from a single piece of stone and will feature natural variations.
- Teak top is kiln dried and sanded to a smooth finish.
- Teak top has a monocoat oil finish. Monocoat is a plant-based, non-toxic, environmentally friendly wood finish that protects and restores with one coat. Use monocoat cleaning agents only to care for and maintain this finish.
- 2" diameter cutout for sink.
- We will drill your faucet hole to fit the sink on your order. If no sink is ordered, we will drill the faucet hole to fit a standard 16-1/2" sink.
- See Installation Instructions for directions to attach the vanity top and sink.
- [Wood finish samples available.](#)

REVISED 6/8/2023

# 48" NOVAK TEAK VANITY - TEAK



All dimensions and specifications are nominal and may vary. Use actual products for accuracy in critical situations.