

BEASLEY 4-HOLE ROMAN TUB FAUCET AND HAND SHOWER - WITHOUT ROUGH-IN VALVE - BRUSHED

SKU: 480489
Code: SHBE4RTG



FEATURES

Material: Metal construction for strength and durability
Installation Type: Deck Mount

ASME A112.18.1/CSA B125.1, CEC Listed, WaterSense by IAPMO, Massachusetts Accepted, LISTED ID: SHBE4RTG**



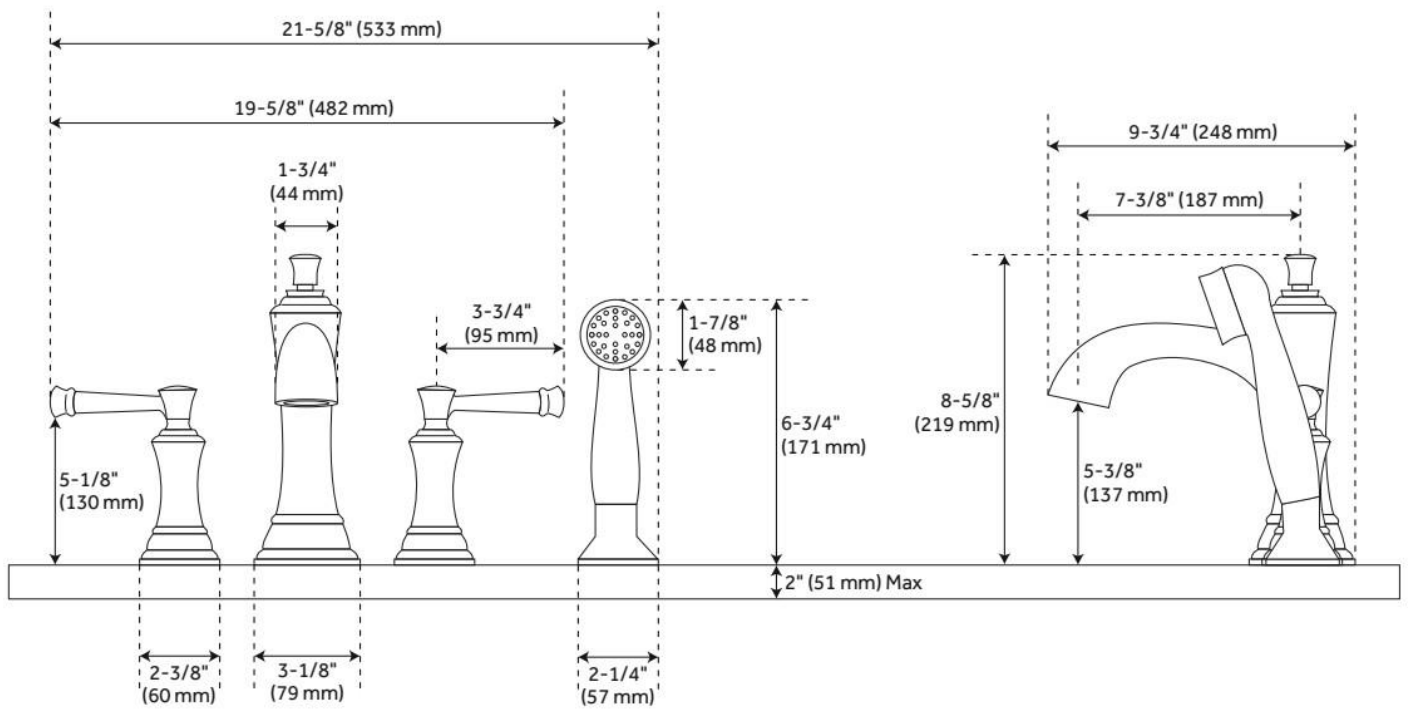
ADDITIONAL FEATURES

- 4-hole installation.
- Hand shower max. flow rate: 1.8 gpm (6.8 L/min) @ 80 psi.
- Single function hand shower (full spray).
- Lift rod diverter to handshower.
- Handshower includes factory installed backflow prevention check valve.
- Rough-in valve needed for installation sold separately. (SH674164)

REVISED 5/16/2024

BEASLEY 4-HOLE ROMAN TUB FAUCET AND HAND SHOWER - WITHOUT ROUGH-IN VALVE - BRUSHED

SKU: 480489
Code: SHBE4RTG



REVISED 5/16/2024