

# 71" EATON ACRYLIC FREESTANDING AIR TUB WITH FOAM

SKU: 480901  
Code: SH480901



## FEATURES

Product Finish: White  
Tub Drain Placement: Center  
Drain Included: Yes  
Drain and Overflow Finish: White  
Water Depth to Overflow: 15-1/4"  
Water Capacity (Gallons): 79  
Built-In Adjusters: Yes  
Tub Weight Uncrated (lbs): 158.7

ASME A112.19.7/CSA B45.10, Massachusetts Accepted, LISTED ID: SH112125FAWH



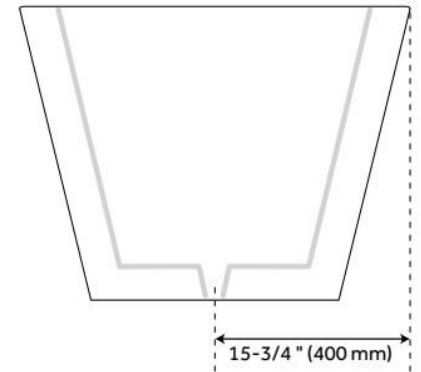
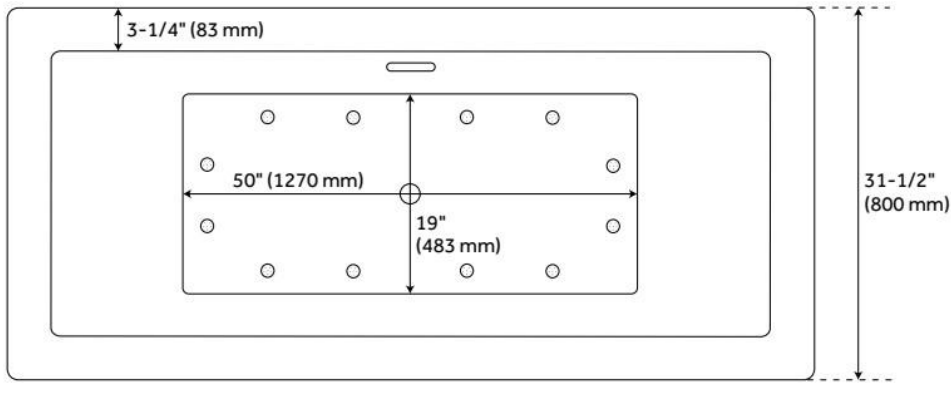
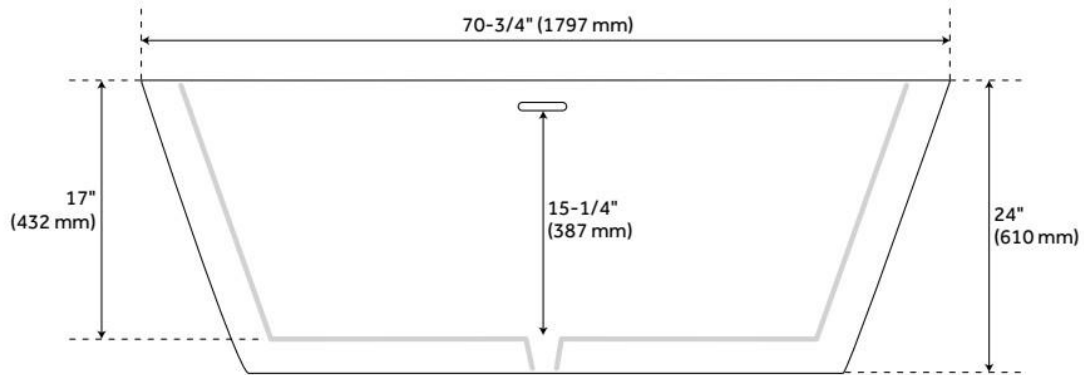
## ADDITIONAL FEATURES

- All dimensions are ( $\pm 1/2$ ").
- Formed of two acrylic sheets with foam insulation.
- Foam Insulation increases heat retention and prevents condensation due to water and air temperature fluctuations.
- Optional Quick Connect Drop-In Drain Kit Includes:
  - Floor Plate, 1-1/2" PVC Pipe, 2" x 1-1/2" Trap Adapters, 1 Brass Threaded, 1 Brass Unthreaded Tailpiece and Plug.
  - Installs above your subfloor, but underneath your cement floor or tile, so you do not need access below the fixture.

REVISED 10/9/2024

# 71" EATON ACRYLIC FREESTANDING AIR TUB WITH FOAM

SKU: 480901  
Code: SH480901



REVISED 10/9/2024

# 71" EATON ACRYLIC FREESTANDING AIR TUB WITH FOAM

SKU: 480901  
Code: SH480901

## COMPONENTS LIST

- BM-TWP BALL CHECK VALVE JETS
- MANI-SD-A SECURITY DEVICE
- MAN-A-4-AC MANIFOLD
- SILVER SLS+ VARIABLE SPEED BLOWER

## INSTALLATION

Install blower behind a wall (with an access panel) or in a closet. Blower can also be installed under floor. Ensure the security device, MANI-DS-A, is at least:

- 2" Above the tub rim

Security device and hose can be mounted in wall

## REMOTE CONTROL

- CG+/RTC-SENSOR-WP
- 12 – 15 YEAR BATTERY LIFE

## INSIDE OF BATH

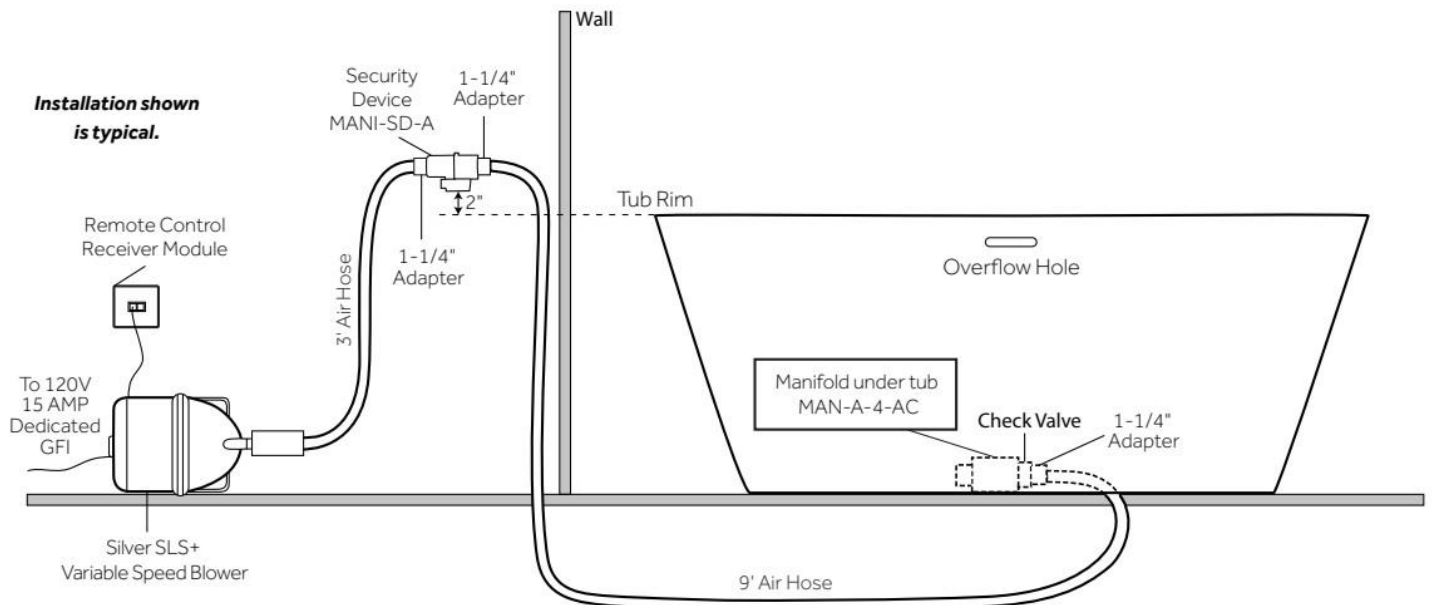
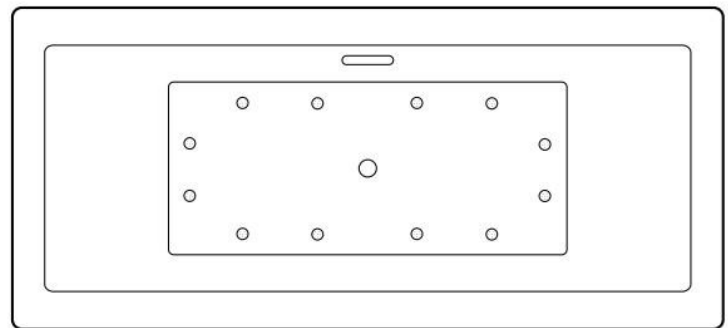
- (12) MAXI AIR JETS WITH 24 OPENINGS



ELBOWS FOR AIR JETS



TEES FOR AIR JETS



REVISED 10/9/2024