

30" FIRCREST VANITY WITH INTEGRAL SINK - SANDY OAK

SKU: 483700



ASME A112.19.2/CSA B45.1
Massachusetts Accepted



FEATURES

Installation Type: Freestanding
Features: Soft-Close Hinges
Product Finish: Sandy Oak
Material: Oak
Number of Doors: 2
Width: 30"
Height: 34-1/2"
Depth: 15-5/8"
Assembly Required: Yes
Number of Shelves: 1
Number of Basins: 1
Sink Installation: Integral
Vanity Top Options: White
Faucet Centers: 4"
Basin Length: 20"
Basin Width: 9-3/4"
Fits Drain Hole Size: 1-1/2"
Faucet Included: No
Vanity Top Material: Porcelain
Sink Material: Porcelain
Water Depth to Rim: 4-5/8"
Size: 30"
Adjustable Shelves: Yes
Built-In Adjusters: Yes
Sink Included: Yes
Sink Color: White
Basin Overflow: No
Vanity Top Included: Yes
Vanity Top Depth: 15-5/8"
Vanity Top Width: 30"
Backsplash: No
Mirror Included: No
Weight: 121.36 lb

REVISED 9/29/2022

30" FIRCREST VANITY WITH INTEGRAL SINK - SANDY OAK

SKU: 483700



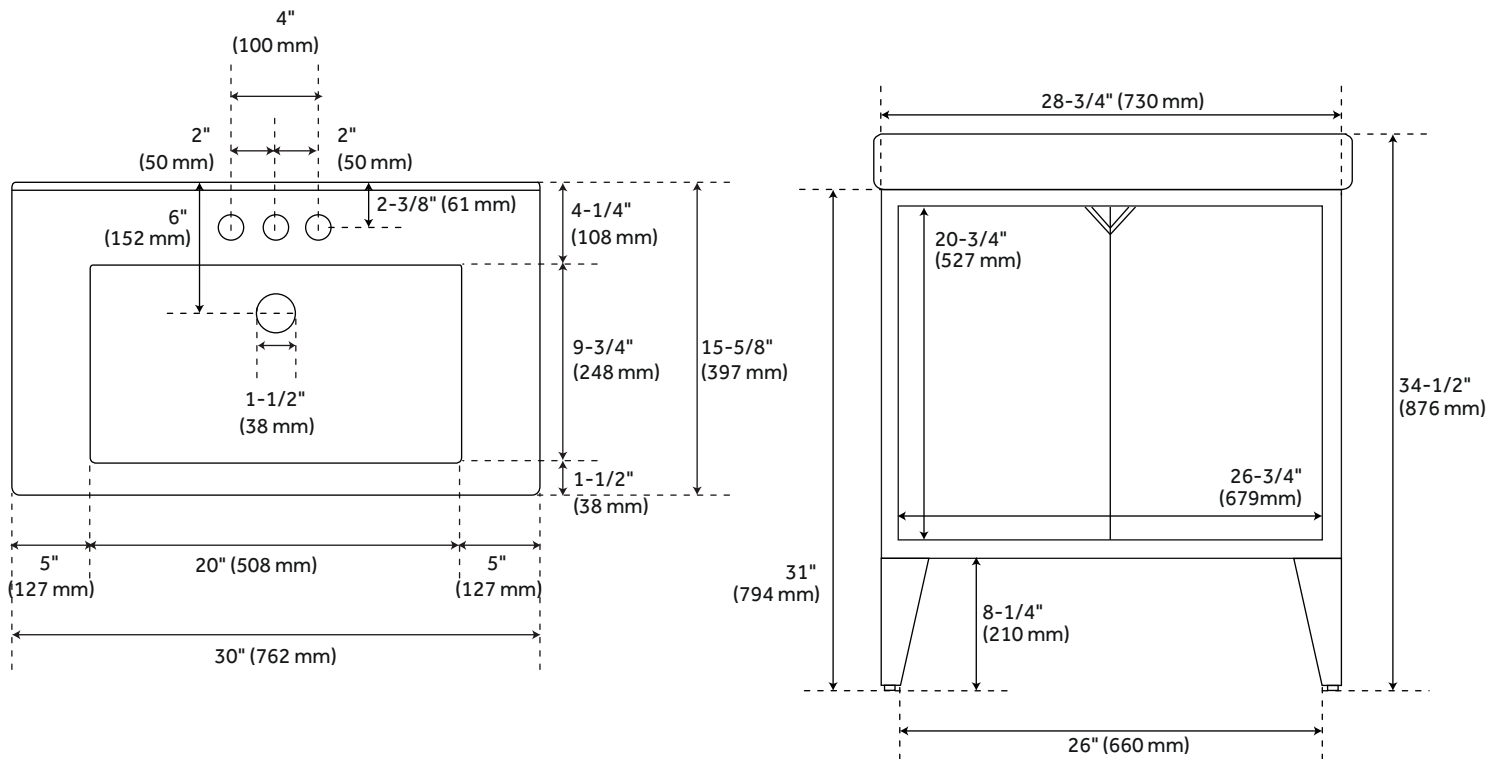
ADDITIONAL FEATURES

- See Installation Instructions for directions to attach the vanity top and sink.
- All dimensions are ($\pm 1/2$ ").

REVISED 9/29/2022

30" FIRCREST VANITY WITH INTEGRAL SINK - SANDY OAK

SKU: 483700



All dimensions and specifications are nominal and may vary. Use actual products for accuracy in critical situations.