

HIBISCUS THERMOSTATIC SHOWER SYSTEM WITH 3 BODY SPRAYS AND HAND SHOWER - MATTE BLACK

SKU: 484709

Code: SHHB9009,SH6006,SHRSA120S,SHSH2080G,SHHS4080G,SHH1010,SHWES2050,SHHB9005,SH6103,SHHB9007,SH6040,SHBS6040E



FEATURES

Shower Head Swivel: Yes

Shower Head Spray: Rainfall

Shower Head Flow Rate: 1.8 gpm (6.8 L/min) @ 80 psi

Hand Shower Flow Rate: 1.8 gpm (6.8 L/min) @ 80 psi

ASME A112.18.1/CSA B125.1, ASME A112.18.2/CSA B125.2, CEC Listed, WaterSense by IAPMO, Massachusetts Accepted, LISTED ID:

SHHB9005*;SH6103;SHH1010*;SHH1010*;SHHS4080G*;SHRSA120S**;SHHB9007*;SHHB9009*;SH6006;SH6040;SHBS6040E**;SHWES2050xy;SHSH2080G*



ADDITIONAL FEATURES

u #
u 7
o
U
o
o
"
" O
U
k
@ k
u
t
) o 7) #

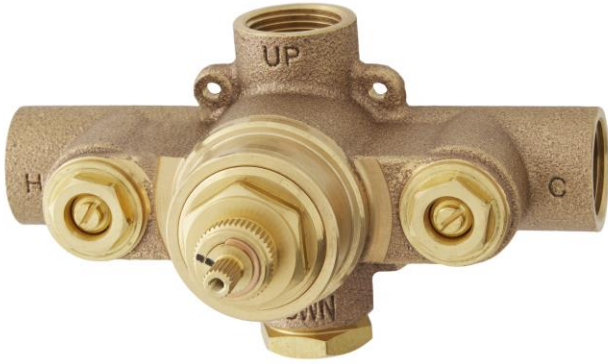
REVISED 10/22/2024

THERMOSTATIC ROUGH-IN VALVE - 3/4" CONNECTION

SKU: 447694
Code: SH6006

FEATURES

Material: Bronze
Flow Rate: 18.2 gpm (68.9 L/min) @ 80 psi
Connection Type: 3/4" NPT
Cartridge Type: Thermostatic



IAPMO, ASME A112.18.1/CSA B125.1, Massachusetts Accepted, LISTED ID: SH6006



ADDITIONAL FEATURES

- Compatible with Beasley, Berwyn, Boca Raton, Drea, Edenton, Elita, Greyfield, Gunther, Hibiscus, Key West, Lentz, Lexia, Pendleton, Pinecrest, Provincetown, Rigi, Sefina, Vassor and Vilamonte Thermostatic Valve Trim.
- For proper installation, requires use of volume control valve and trim.
- Bronze valve body.
- Factory-calibrated comfort setting at 104 degrees Fahrenheit.
- Water inlet stops and check valve.
- Thermostatic technology keeps shower temperature ± 1 degree Celsius.

REVISED 10/21/2024

VOLUME CONTROL ROUGH-IN VALVE - 3/4" CONNECTION

SKU: 447696
Code: SH6040



FEATURES

Material: Bronze
Connection Type: 3/4" NPT
Cartridge Type: Ceramic Disc

IAPMO, ASME A112.18.1/CSA B125.1, Massachusetts Accepted, LISTED ID: SH6040



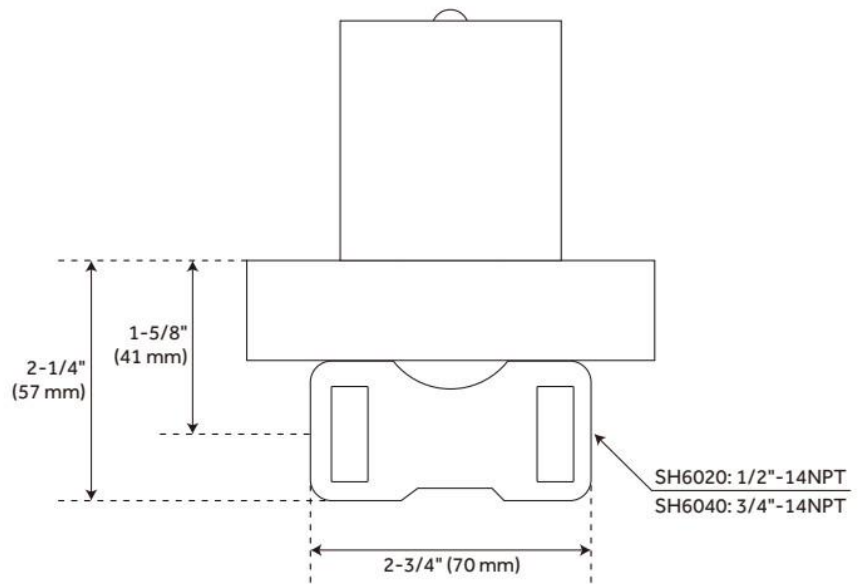
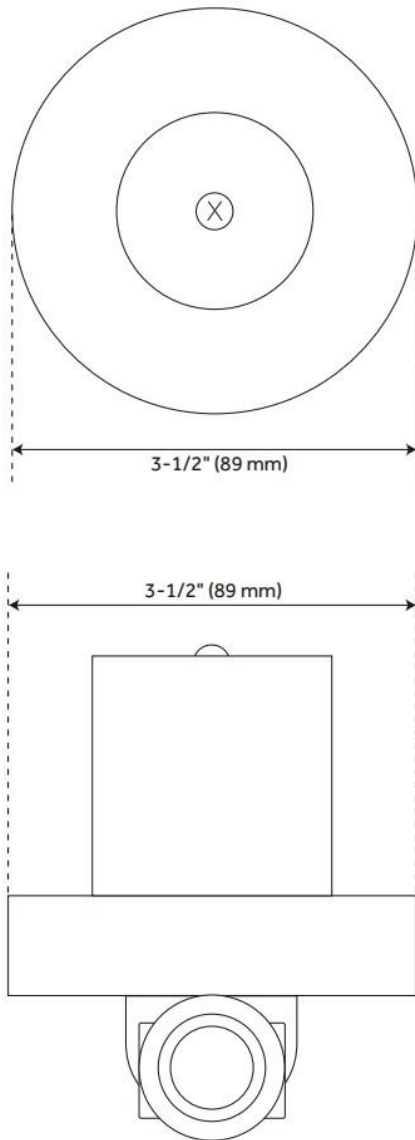
ADDITIONAL FEATURES

- Intended for use with a thermostatic valve and trim.
- Bronze valve body.
- Ceramic cartridge.
- Compatible with Beasley, Berwyn, Boca Raton, Drea, Edenton, Elita, Greyfield, Gunther, Hibiscus, Key West, Lentz, Lexia, Pendleton, Pinecrest, Provincetown, Rigi, Sefina, Vassor and Vilamonte Volume Control Trims.

REVISED 10/21/2024

VOLUME CONTROL ROUGH-IN VALVE - 3/4" CONNECTION

SKU: 447696
Code: SH6040



REVISED 10/21/2024

3-WAY IN-WALL DIVERTER ROUGH-IN VALVE - 3/4"

SKU: 446519
Code: SH6103

FEATURES

Material: Brass
Cartridge Type: Ceramic Disc



IAPMO, ASME A112.18.1/CSA B125.1, ASME A112.18.2/CSA B125.2, Massachusetts Accepted, LISTED ID: SH6103



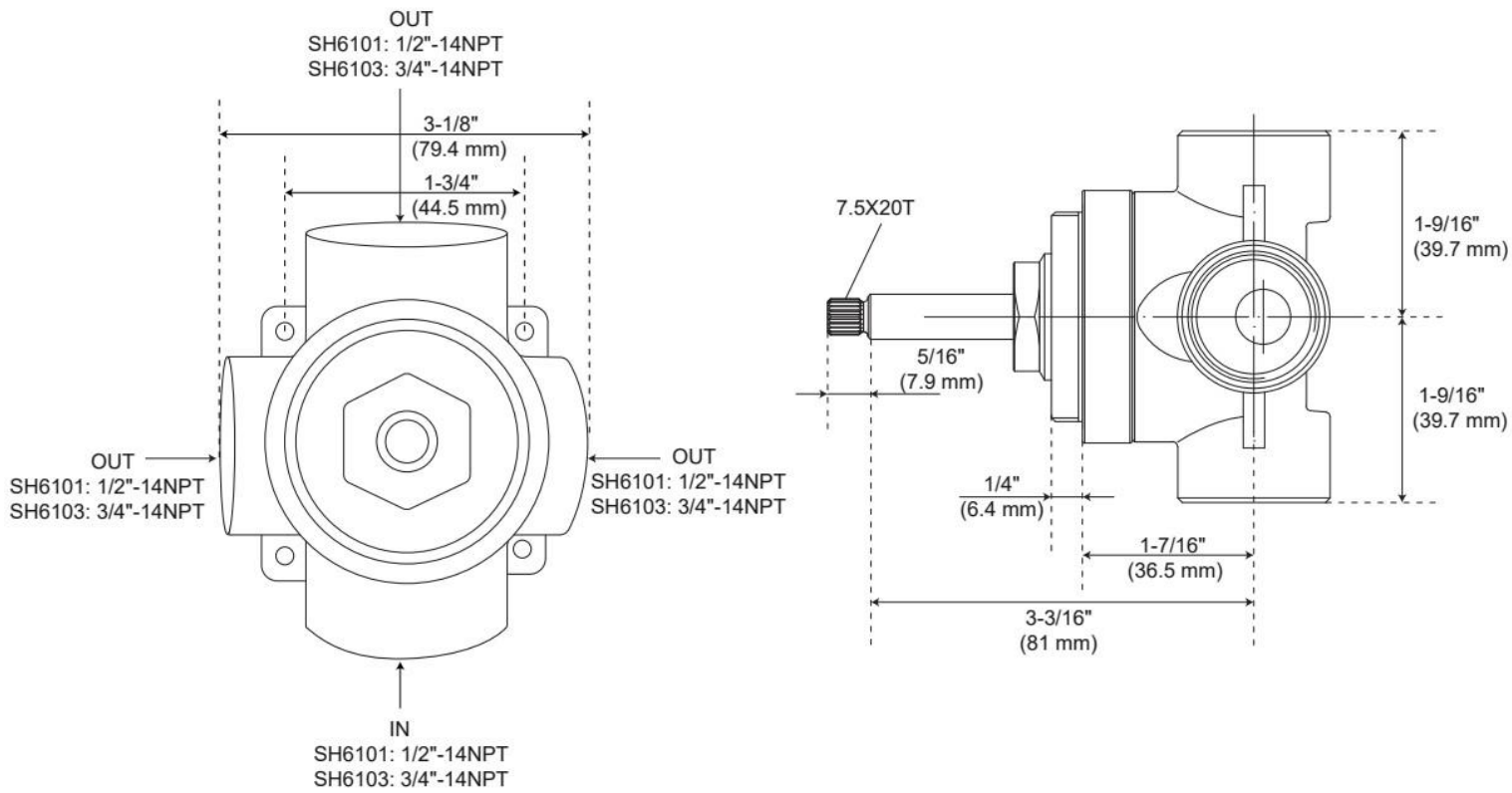
ADDITIONAL FEATURES

- Six total settings allow for shared water flow between outlets, giving you the ability to use two functions at once.
- Ceramic cartridge.
- Available Single-Function Diverter Valve Cartridge restricts water flow to one outlet at a time.
- Not intended as a shut off valve.
- For installations only requiring 2 outlets, the 3rd outlet may be looped into one of the existing pipes.
- Compatible with Beasley, Berwyn, Boca Raton, Drea, Edenton, Elita, Greyfield, Gunther, Hibiscus, Key West, Lentz, Lexia, Pendleton, Pinecrest, Provincetown, Rigi, Sefina, Vassor and Vilamonte Diverter Trims.

REVISED 10/14/2024

3-WAY IN-WALL DIVERTER ROUGH-IN VALVE - 3/4"

SKU: 446519
Code: SH6103



REVISED 10/14/2024

HIBISCUS IN-WALL SHOWER DIVERTER TRIM - MATTE BLACK

SKU: 449801
Code: SHHB9005



FEATURES

Material: Brass

Required for Installation: Rough-in valve: SH6103 or SH6101

IAPMO, ASME A112.18.1/CSA B125.1, ICC/ANSI A117.1, Massachusetts Accepted, LISTED ID: SHHB9005*



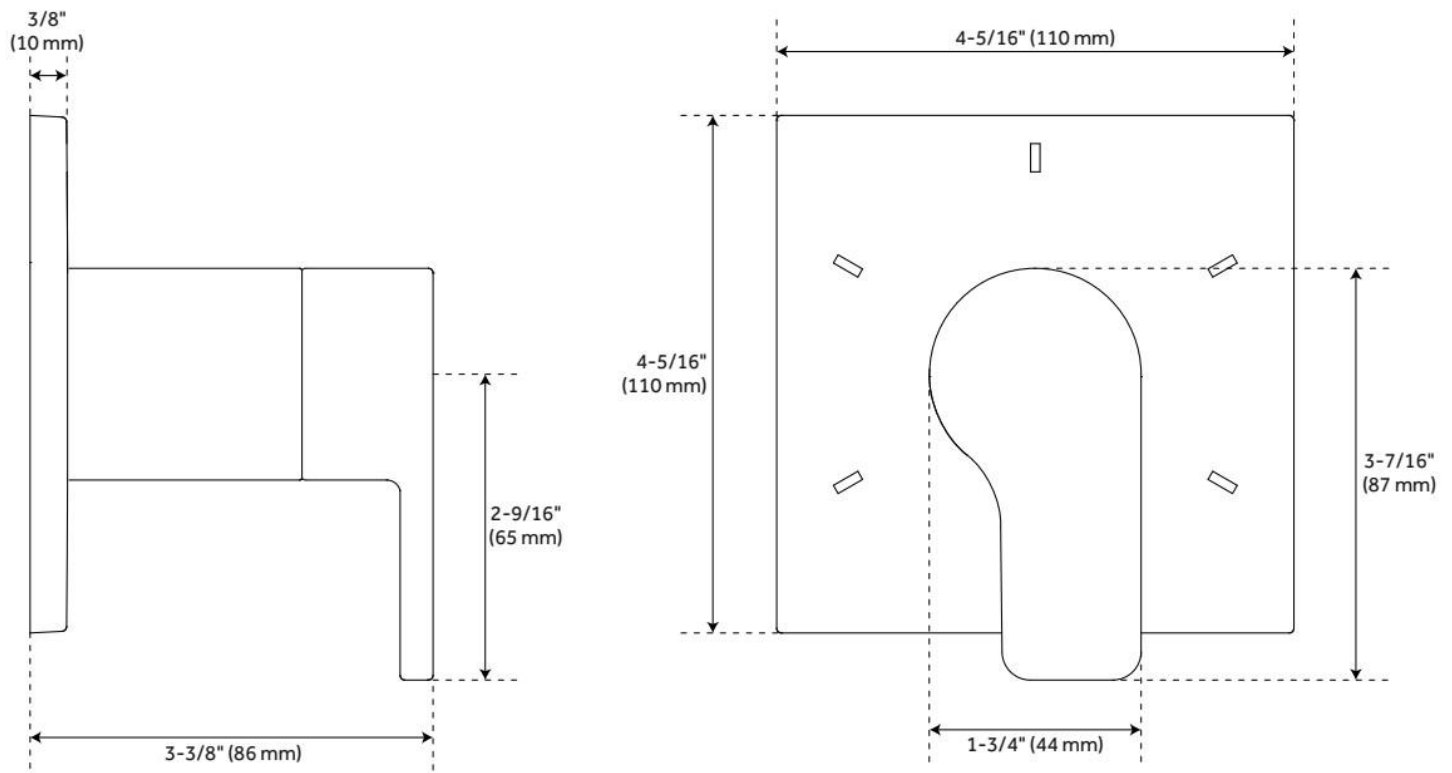
ADDITIONAL FEATURES

- Metal handle.
- Metal Escutcheon.
- Not intended as a shut off valve.
- Six total settings allow for shared water flow between outlets, giving you the ability to use two functions at once.
- Optional Rough-in Valve:
 - Available Single-Function Diverter Valve Cartridge restricts water flow to one outlet at a time.
 - Brass valve body.
 - Ceramic cartridge.
 - Must be installed in accordance with provided installation instructions.

REVISED 10/22/2024

HIBISCUS IN-WALL SHOWER DIVERTER TRIM - MATTE BLACK

SKU: 449801
Code: SHHB9005



REVISED 10/22/2024

60" STRETCHABLE METAL HAND SHOWER HOSE - MATTE BLACK

SKU: 449694
Code: SHH1010

FEATURES

Material: Metal
Connection Type: 1/2" IPS



ASME A112.18.1/CSA B125.1, Massachusetts Accepted, LISTED ID: SHH1010*



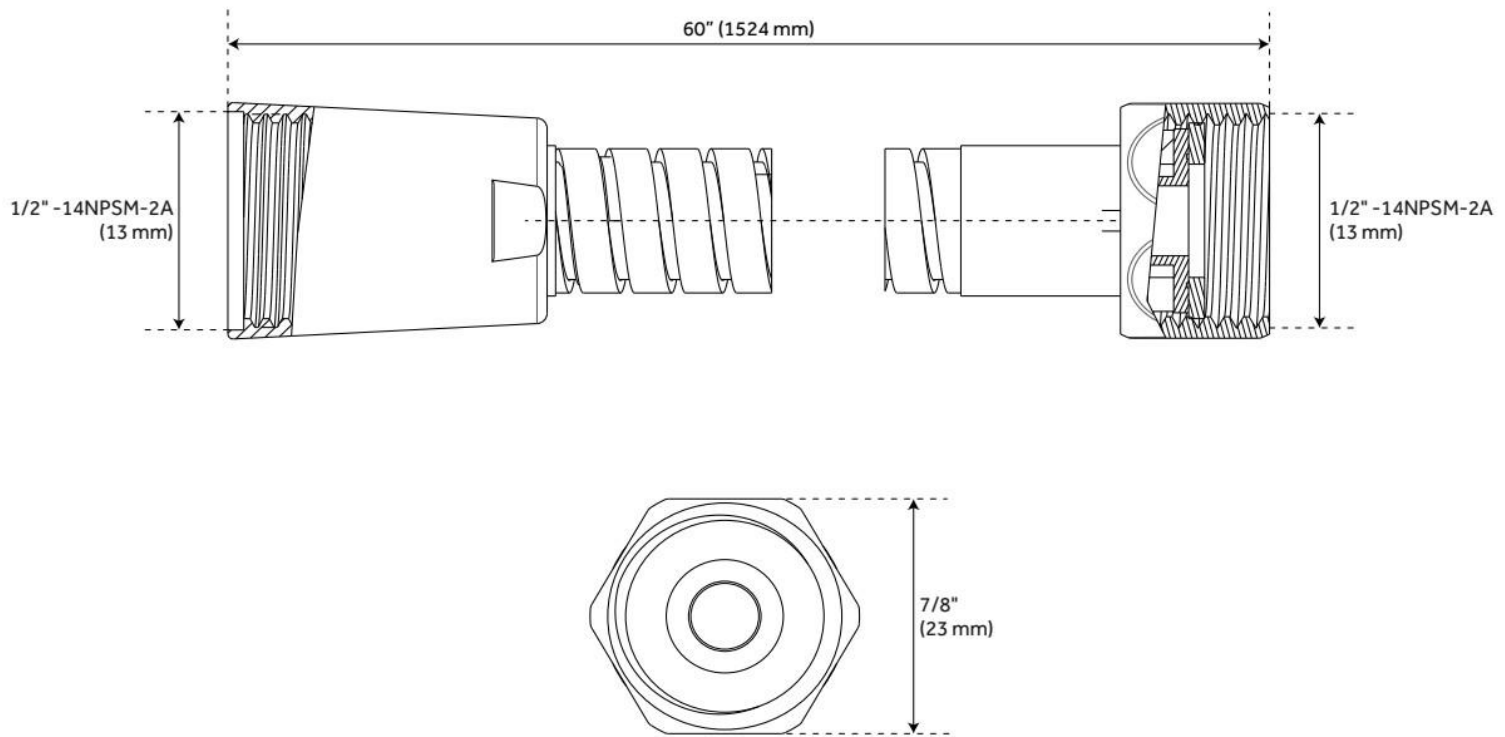
ADDITIONAL FEATURES

- 60" - 72" stretchable metal shower hose.
- Double spiral construction.
- Metal conical nut.

REVISED 10/22/2024

60" STRETCHABLE METAL HAND SHOWER HOSE - MATTE BLACK

SKU: 449694
Code: SHH1010



REVISED 10/22/2024

HIBISCUS HAND SHOWER - MATTE BLACK

SKU: 449804
Code: SHHS4080G



FEATURES

Material: ABS
Hand Shower Spray: Full
Hand Shower Flow Rate: 1.8 gpm (6.8 L/min) @ 80 psi

IAPMO, ASME A112.18.1/CSA B125.1, CEC Listed, WaterSense by IAPMO, Massachusetts Accepted, LISTED ID: SHHS4080G*



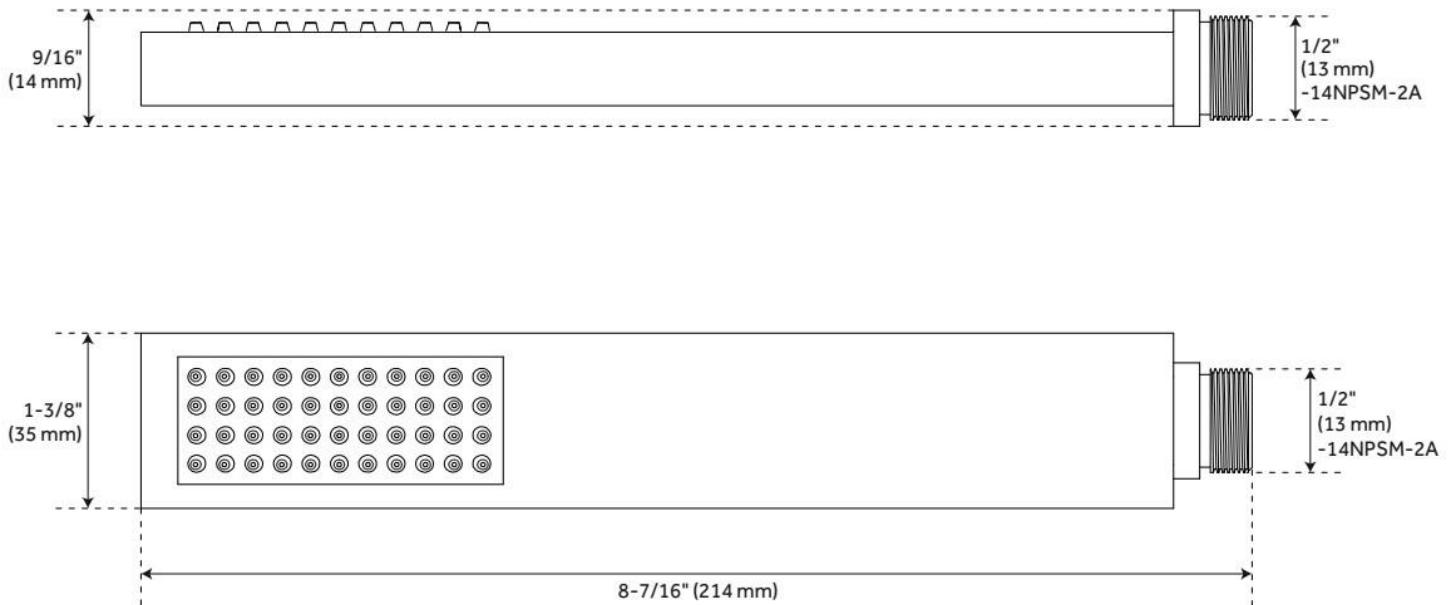
ADDITIONAL FEATURES

- Single function hand shower (full spray).
- Easy-clean spray nozzles.
- Factory installed backflow prevention check valve.
- Hose sold separately.

REVISED 10/22/2024

HIBISCUS HAND SHOWER - MATTE BLACK

SKU: 449804
Code: SHHS4080G



REVISED 10/22/2024

12" MODERN SQUARE WALL-MOUNT SHOWER ARM WITH FLANGE - MATTE BLACK

SKU: 449625

Code: SHRSA120S

FEATURES

Material: Brass

Connection Type: 1/2" NPT



IAPMO, ASME A112.18.1/CSA B125.1, Massachusetts Accepted, LISTED ID: SHRSA120S**



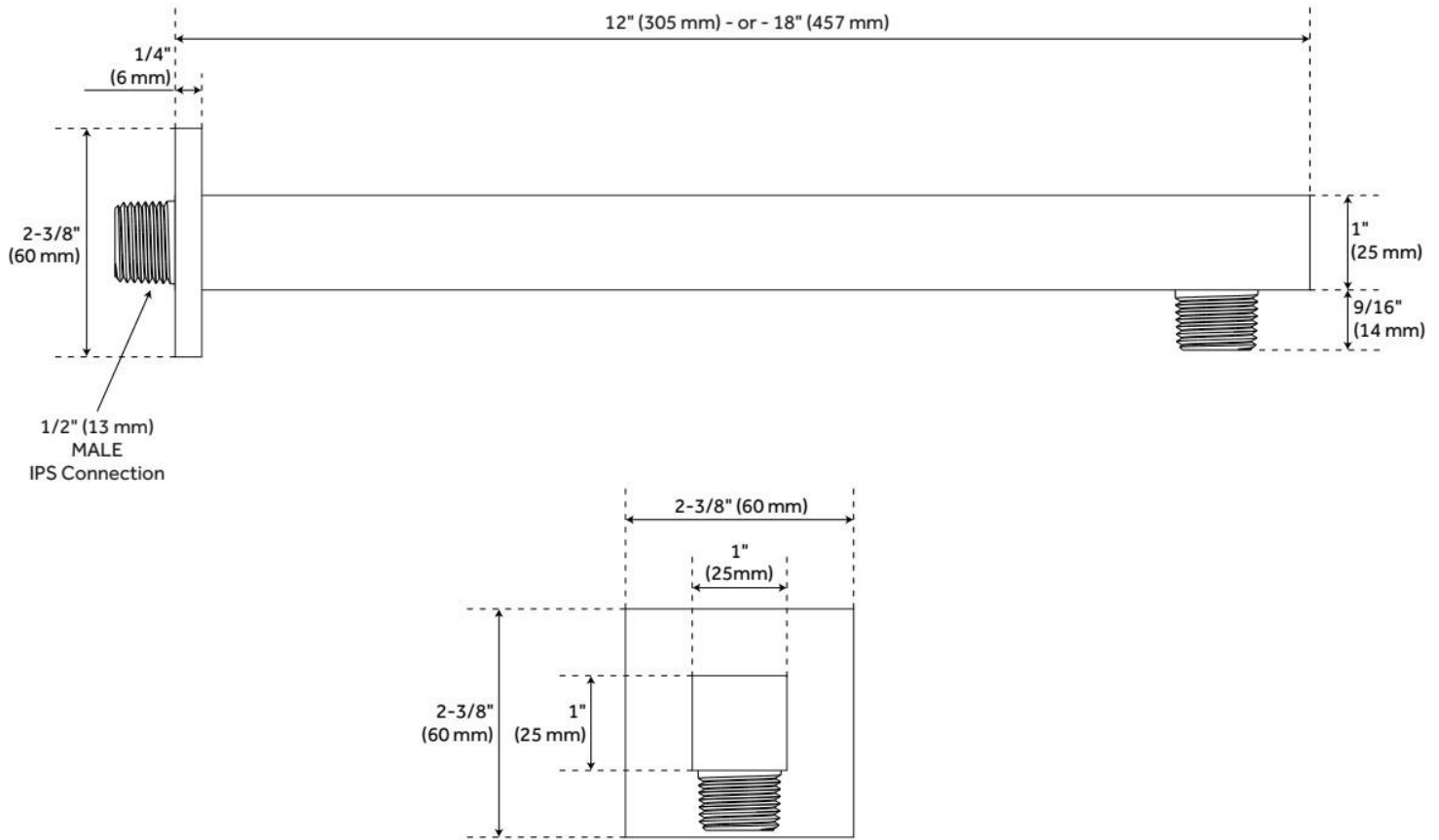
ADDITIONAL FEATURES

- Solid brass construction.
- Escutcheon included.

REVISED 10/22/2024

12" MODERN SQUARE WALL-MOUNT SHOWER ARM WITH FLANGE - MATTE BLACK

SKU: 449625
Code: SHRSA120S



REVISED 10/22/2024

HIBISCUS IN-WALL SHOWER VOLUME CONTROL HANDLE TRIM - MATTE BLACK

SKU: 448237
Code: SHHB9007



FEATURES

Material: Brass

Required for Installation: Rough-in valve: SH6020 or SH6040

IAPMO, ASME A112.18.1/CSA B125.1, ICC/ANSI A117.1, Massachusetts Accepted, LISTED ID: SHHB9007*



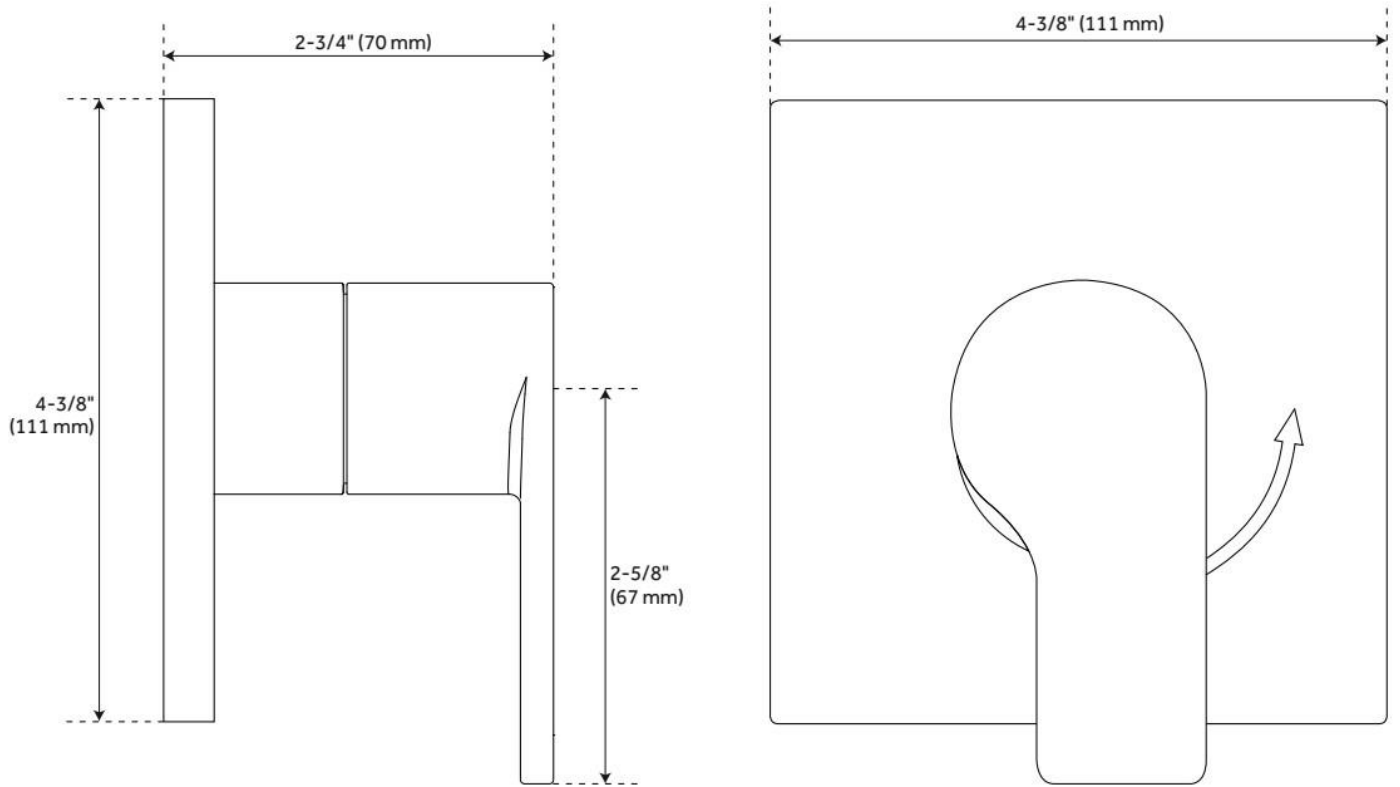
ADDITIONAL FEATURES

- Metal handle.
- Wall thickness range: 1" to 1-3/4"
- For proper installation, requires use of a thermostatic valve and trim.
- Optional Rough-in Valve:
 - Brass valve body.
 - Ceramic cartridge.
 - Recommended valve installation depth 1-5/8" to 2-3/8"

REVISED 10/22/2024

HIBISCUS IN-WALL SHOWER VOLUME CONTROL HANDLE TRIM - MATTE BLACK

SKU: 448237
Code: SHHB9007



REVISED 10/22/2024

HIBISCUS THERMOSTATIC SHOWER VALVE - MATTE BLACK

SKU: 448234
Code: SHHB9009



FEATURES

Material: Brass
Cartridge Type: Thermostatic

Required for Installation: Rough-in valve: SH6006 or SH6004

IAPMO, ASME A112.18.1/CSA B125.1, Massachusetts Accepted, LISTED ID: SHHB9009*



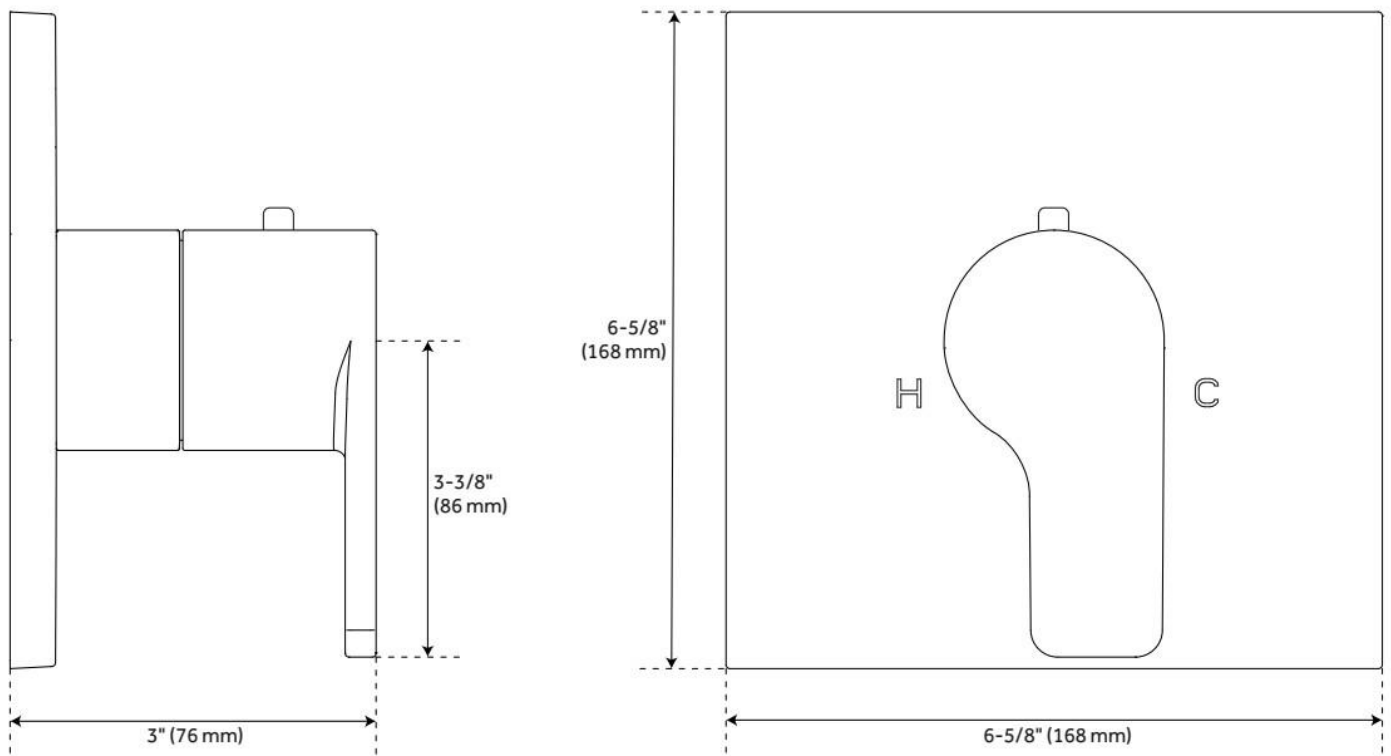
ADDITIONAL FEATURES

- Metal handle.
- Temperature outlet factory preset to 104 degrees Fahrenheit.
- Temperature can be easily adjusted up and down to user's comfort level.
- Scald guard protection.
- High temperature limit stop.
- Thermostatic technology keeps shower temperature within 1 degree Celsius.
- For proper installation, requires use of volume control valve and trim.
- Wall thickness range: 1" to 1-3/4"
- Optional Rough-in Valve:
 - Bronze valve body.
 - Ceramic cartridge.
 - Integral water stops and check valve.
 - Recommended valve installation depth 1-5/8" to 2-3/8"

REVISED 10/22/2024

HIBISCUS THERMOSTATIC SHOWER VALVE - MATTE BLACK

SKU: 448234
Code: SHHB9009



REVISED 10/22/2024

SQUARE FLUSH-MOUNT SWIVEL BODY SPRAY - MATTE BLACK

SKU: 449908
Code: SHBS6040E



FEATURES

Material: Brass
Shower Head Swivel: Yes
Shower Head Spray: Full
Flow Rate: 2.5 gpm (9.5 L/min) @ 80 psi
Connection Type: 1/2" IPS

IAPMO, ASME A112.18.1/CSA B125.1, Massachusetts Accepted, LISTED ID: SHBS6040E**



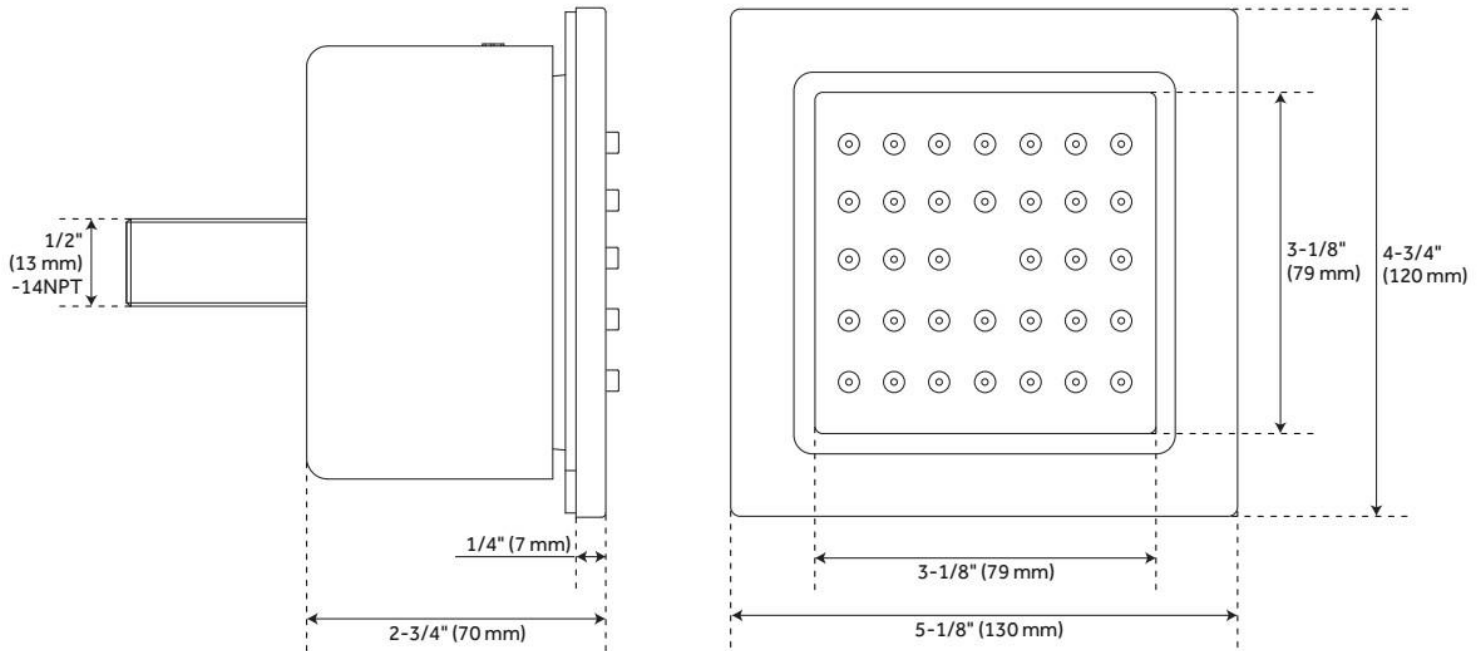
ADDITIONAL FEATURES

- 1/2" Male connection.
- Jet surface area: 3-1/8"
- Surface depth: 1/4"

REVISED 10/22/2024

SQUARE FLUSH-MOUNT SWIVEL BODY SPRAY - MATTE BLACK

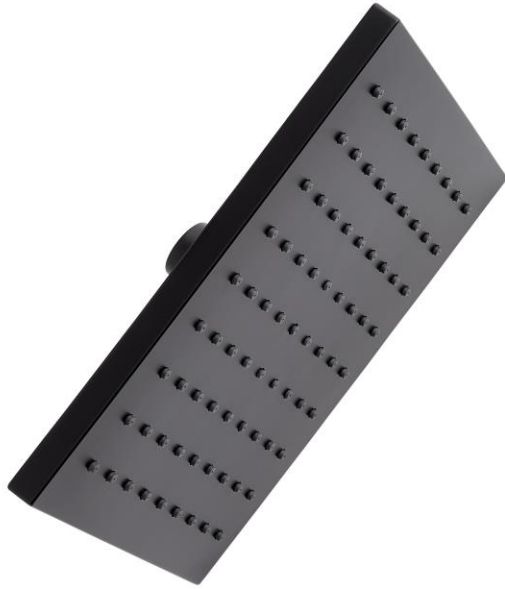
SKU: 449908
Code: SHBS6040E



REVISED 10/22/2024

RIGI SQUARE RAINFALL SHOWER HEAD - MATTE BLACK

SKU: 484998
Code: SHSH2080G



FEATURES

Material: ABS
Shower Head Swivel: Yes
Shower Head Spray: Rainfall
Shower Head Flow Rate: 1.8 gpm (6.8 L/min) @ 80 psi
Flow Rate: 1.8 gpm (6.8 L/min) @ 80 psi

ASME A112.18.1/CSA B125.1, CEC Listed, WaterSense by IAPMO, Massachusetts Accepted, LISTED ID: SHSH2080G*



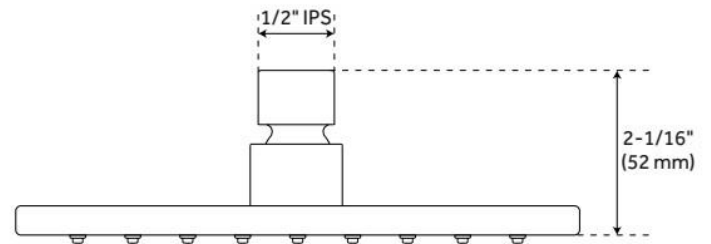
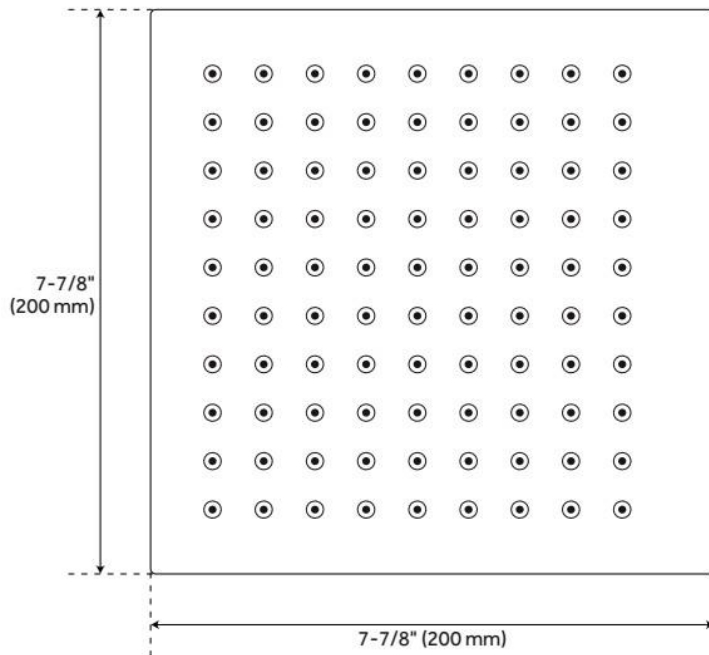
ADDITIONAL FEATURES

- Single function rainfall shower head.
- Brass ball joint & threaded connection.
- Easy clean rubber nozzles.
- Easy installation.

REVISED 10/22/2024

RIGI SQUARE RAINFALL SHOWER HEAD - MATTE BLACK

SKU: 484998
Code: SHSH2080G



REVISED 10/22/2024

SWIVEL WATER SUPPLY ELBOW AND BRACKET FOR HAND SHOWER - MATTE BLACK

SKU: 478494

Code: SHWES2050

FEATURES

Material: Metal, ABS

Connection Type: 1/2" NPT



CSA, ASME A112.18.1/CSA B125.1, Massachusetts Accepted, LISTED ID: SHWES2050xy



ADDITIONAL FEATURES

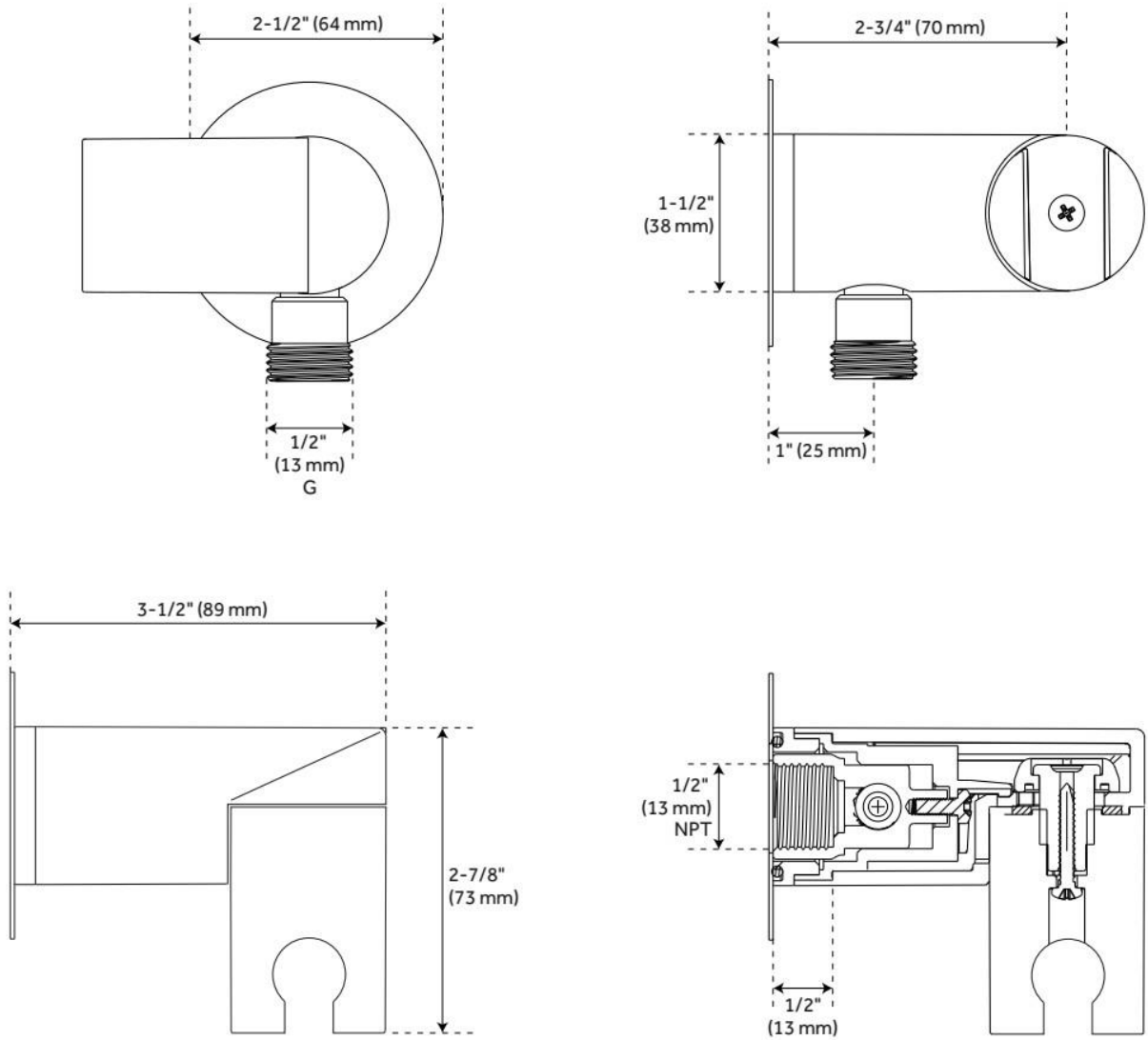
- 1/2" Female wall connection.
- 1/2" Male hose connection.
- Brass inlet/outlet, ABS body.

REVISED 10/22/2024

SWIVEL WATER SUPPLY ELBOW AND BRACKET FOR HAND SHOWER - MATTE BLACK

SKU: 478494

Code: SHWES2050



REVISED 10/22/2024