

# HIBISCUS THERMOSTATIC SHOWER SYSTEM WITH 3 BODY SPRAYS AND HAND SHOWER - MATTE BLACK

SKU: 484709

Code: SHHB9009,SH6006,SHRSA120S,SHSH2080G,SHHS4080G,SHH1010,SHWES2050,SHHB9005,SH6103,SHHB9007,SH6040,SHBS6040E



## FEATURES

Shower Head Swivel: Yes

Shower Head Spray: Rainfall

Shower Head Flow Rate: 1.8 gpm (6.8 L/min) @ 80 psi

Hand Shower Flow Rate: 1.8 gpm (6.8 L/min) @ 80 psi

ASME A112.18.1/CSA B125.1, ASME A112.18.2/CSA B125.2, CEC Listed, WaterSense by IAPMO, Massachusetts Accepted, LISTED ID:

SHHB9005\*;SH6103;SHH1010\*;SHH1010\*;SHHS4080G\*;SHRSA120S\*\*;SHHB9007\*;SHHB9009\*;SH6006;SH6040;SHBS6040E\*\*;SHWES2050xy;SHSH2080G\*



## ADDITIONAL FEATURES

u . . . . . #  
u . . . . . 7 . . . . .  
o . . . . .  
U . . . . .  
o . . . . .  
o . . . . .  
" . . . . .  
" . . . . . O . . . . .  
U . . . . .  
k . . . . .  
@ . . . . . k . . . . .  
u . . . . .  
t . . . . .  
) . . . . . o 7 ) . . . . . # . . . . .

REVISED 10/22/2024

# HIBISCUS IN-WALL SHOWER DIVERTER TRIM - MATTE BLACK

SKU: 449801  
Code: SHHB9005



## FEATURES

Material: Brass

Required for Installation: Rough-in valve: SH6103 or SH6101

IAPMO, ASME A112.18.1/CSA B125.1, ICC/ANSI A117.1, Massachusetts Accepted, LISTED ID: SHHB9005\*



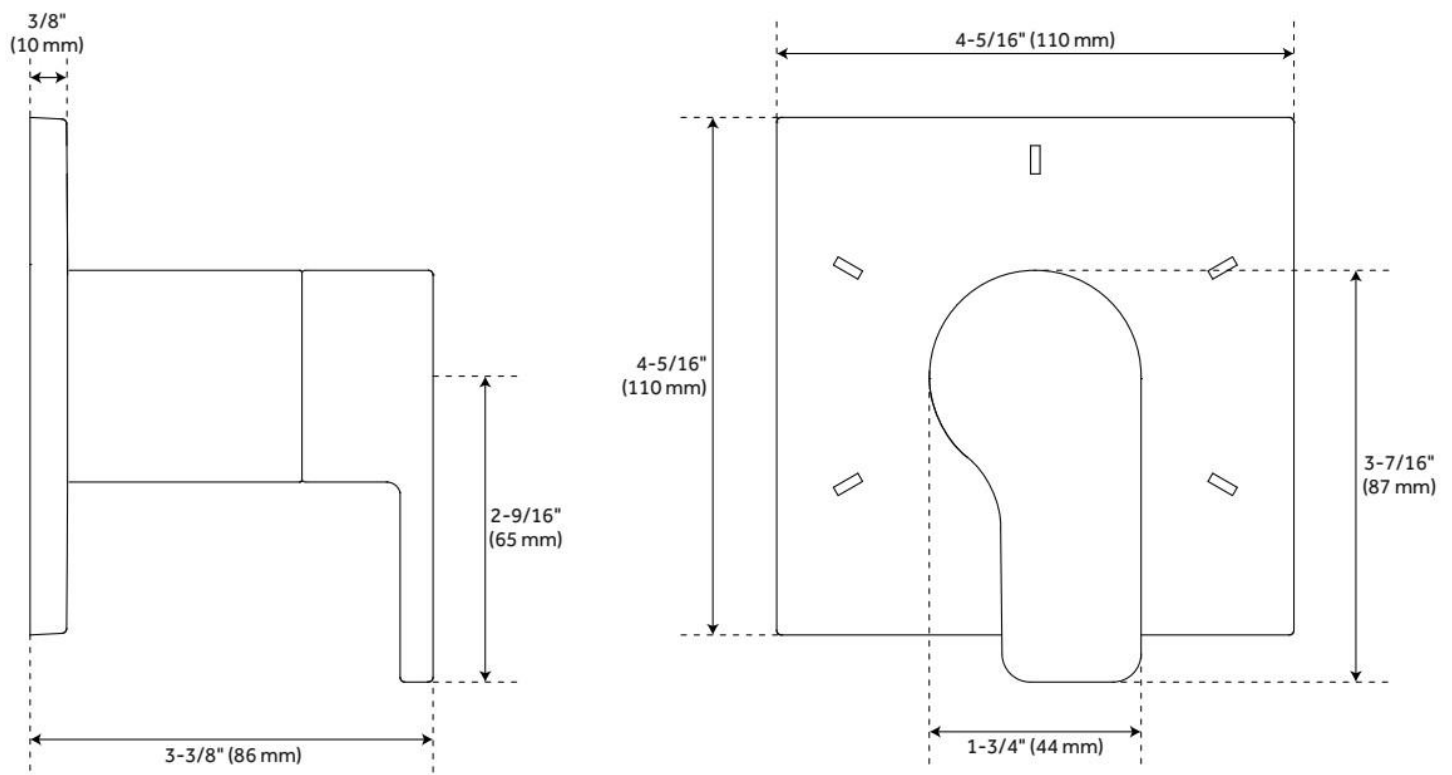
## ADDITIONAL FEATURES

- Metal handle.
- Metal Escutcheon.
- Not intended as a shut off valve.
- Six total settings allow for shared water flow between outlets, giving you the ability to use two functions at once.
- Optional Rough-in Valve:
  - Available Single-Function Diverter Valve Cartridge restricts water flow to one outlet at a time.
  - Brass valve body.
  - Ceramic cartridge.
  - Must be installed in accordance with provided installation instructions.

REVISED 10/22/2024

# HIBISCUS IN-WALL SHOWER DIVERTER TRIM - MATTE BLACK

SKU: 449801  
Code: SHHB9005



REVISED 10/22/2024

# 60" STRETCHABLE METAL HAND SHOWER HOSE - MATTE BLACK

SKU: 449694  
Code: SHH1010

## FEATURES

Material: Metal  
Connection Type: 1/2" IPS



ASME A112.18.1/CSA B125.1, Massachusetts Accepted, LISTED ID: SHH1010\*



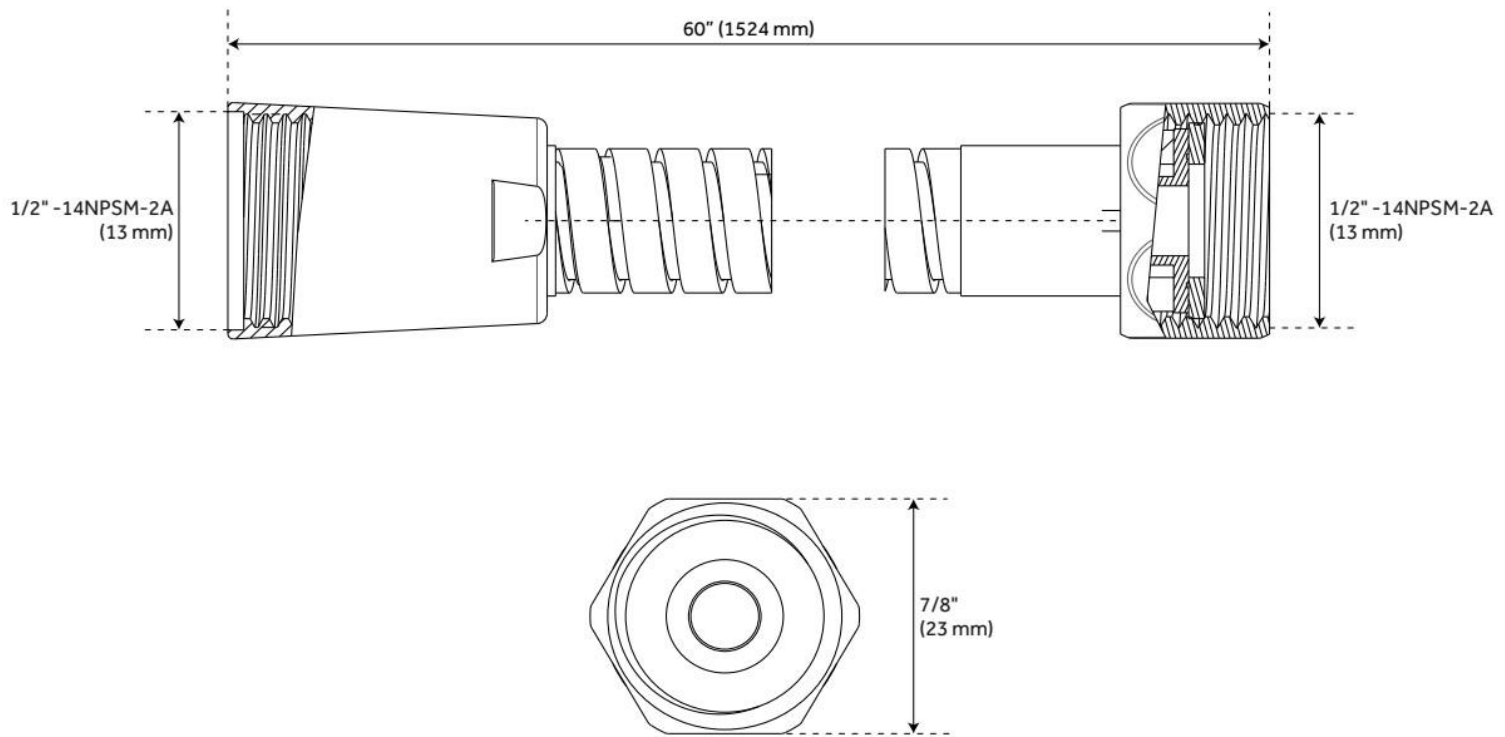
## ADDITIONAL FEATURES

- 60" - 72" stretchable metal shower hose.
- Double spiral construction.
- Metal conical nut.

REVISED 10/22/2024

# 60" STRETCHABLE METAL HAND SHOWER HOSE - MATTE BLACK

SKU: 449694  
Code: SHH1010



REVISED 10/22/2024

# HIBISCUS HAND SHOWER - MATTE BLACK

SKU: 449804  
Code: SHHS4080G



## FEATURES

Material: ABS  
Hand Shower Spray: Full  
Hand Shower Flow Rate: 1.8 gpm (6.8 L/min) @ 80 psi

IAPMO, ASME A112.18.1/CSA B125.1, CEC Listed, WaterSense by IAPMO, Massachusetts Accepted, LISTED ID: SHHS4080G\*



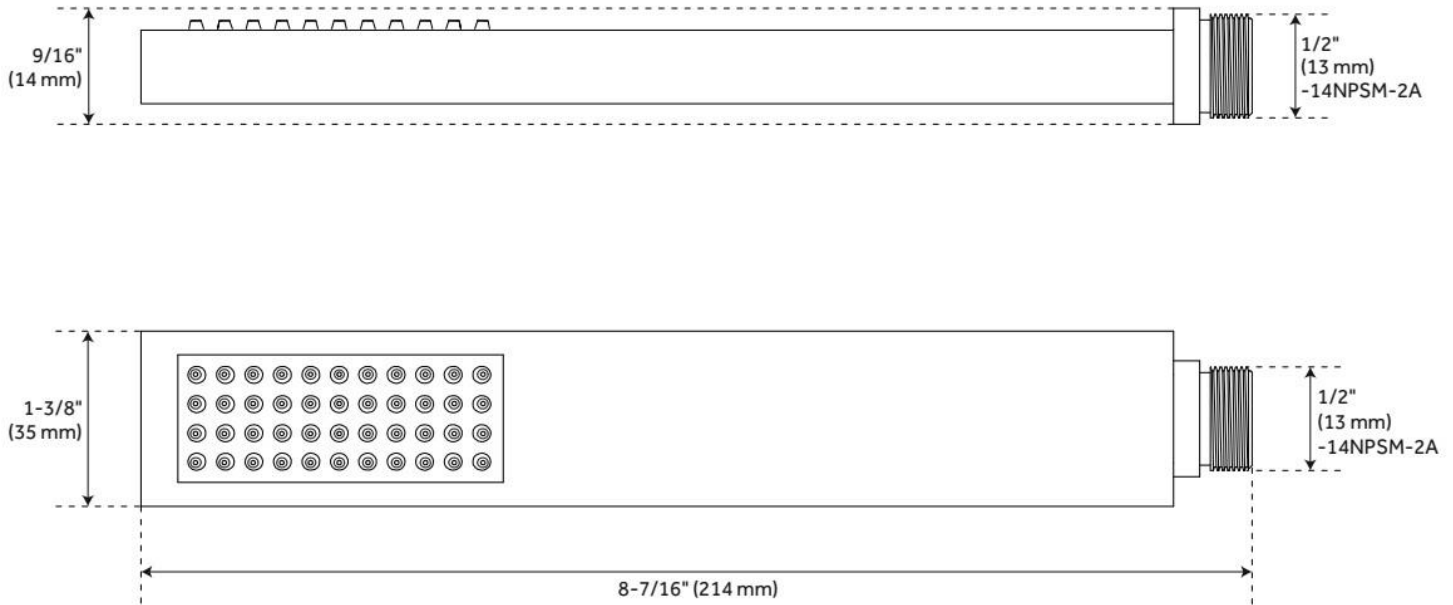
## ADDITIONAL FEATURES

- Single function hand shower (full spray).
- Easy-clean spray nozzles.
- Factory installed backflow prevention check valve.
- Hose sold separately.

REVISED 10/22/2024

# HIBISCUS HAND SHOWER - MATTE BLACK

SKU: 449804  
Code: SHHS4080G



REVISED 10/22/2024

# 12" MODERN SQUARE WALL-MOUNT SHOWER ARM WITH FLANGE - MATTE BLACK

SKU: 449625

Code: SHRSA120S

## FEATURES

Material: Brass

Connection Type: 1/2" NPT



IAPMO, ASME A112.18.1/CSA B125.1, Massachusetts Accepted, LISTED ID: SHRSA120S\*\*



## ADDITIONAL FEATURES

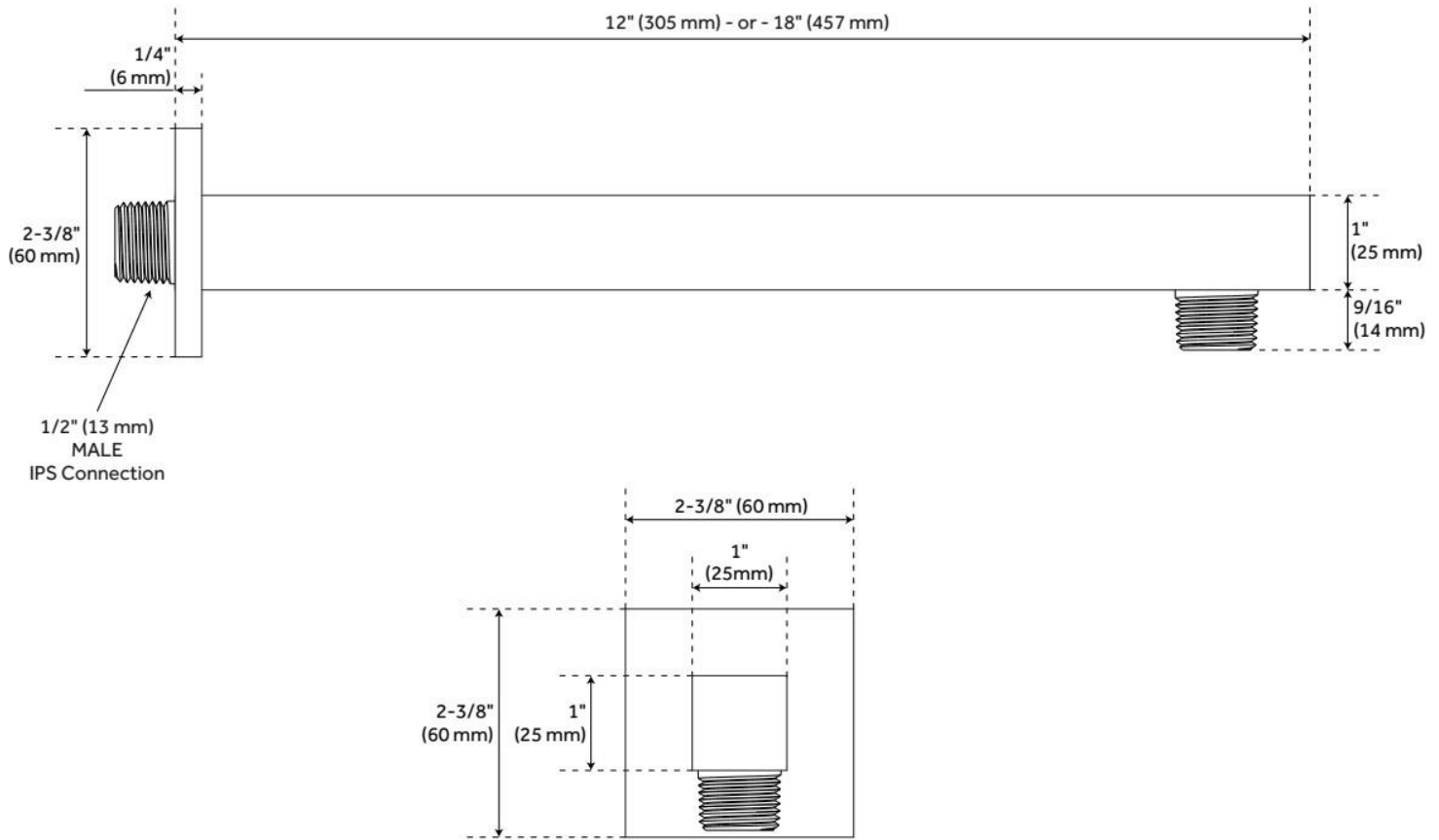
- Solid brass construction.
- Escutcheon included.

REVISED 10/22/2024



# 12" MODERN SQUARE WALL-MOUNT SHOWER ARM WITH FLANGE - MATTE BLACK

SKU: 449625  
Code: SHRSA120S



REVISED 10/22/2024

# HIBISCUS IN-WALL SHOWER VOLUME CONTROL HANDLE TRIM - MATTE BLACK

SKU: 448237  
Code: SHHB9007



## FEATURES

Material: Brass

Required for Installation: Rough-in valve: SH6020 or SH6040

IAPMO, ASME A112.18.1/CSA B125.1, ICC/ANSI A117.1, Massachusetts Accepted, LISTED ID: SHHB9007\*



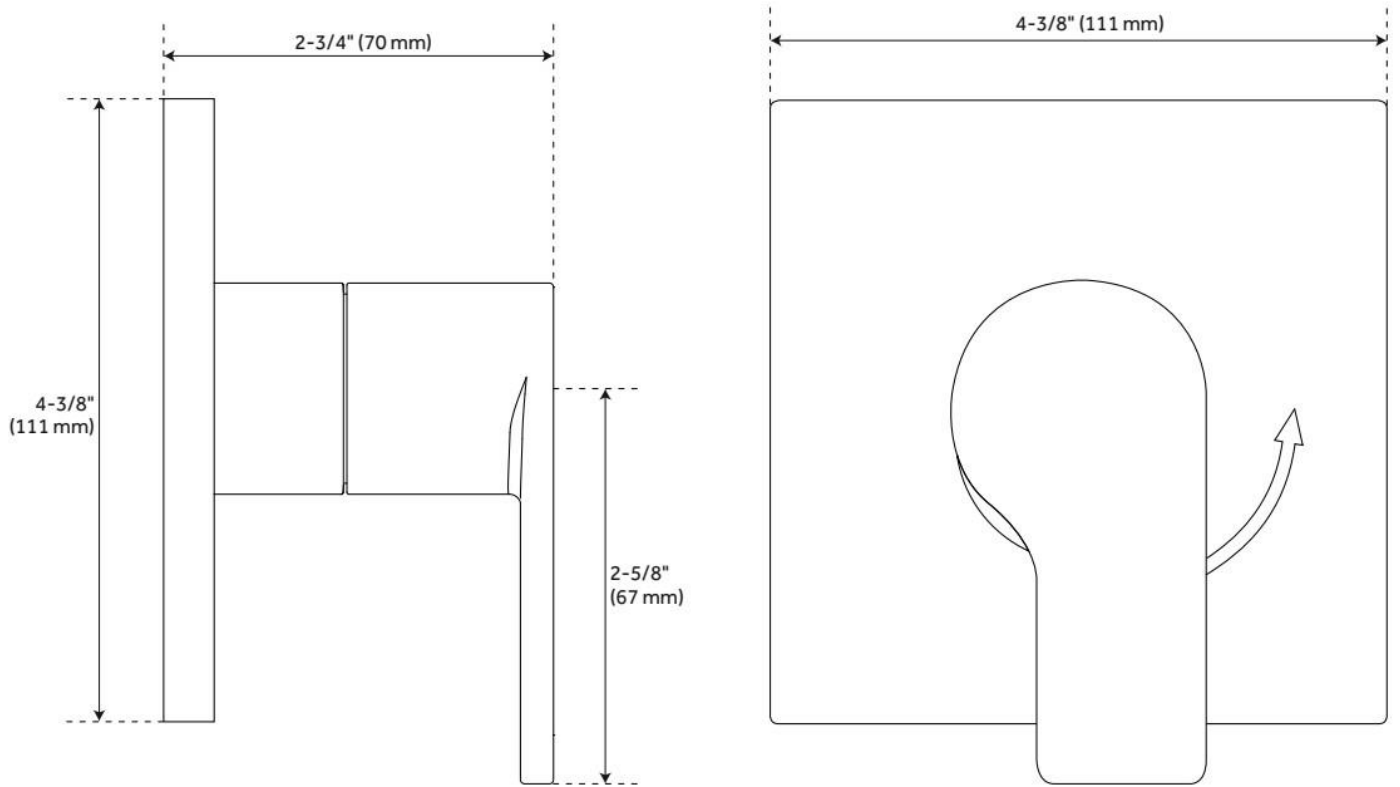
## ADDITIONAL FEATURES

- Metal handle.
- Wall thickness range: 1" to 1-3/4"
- For proper installation, requires use of a thermostatic valve and trim.
- Optional Rough-in Valve:
  - Brass valve body.
  - Ceramic cartridge.
  - Recommended valve installation depth 1-5/8" to 2-3/8"

REVISED 10/22/2024

# HIBISCUS IN-WALL SHOWER VOLUME CONTROL HANDLE TRIM - MATTE BLACK

SKU: 448237  
Code: SHHB9007



REVISED 10/22/2024

# HIBISCUS THERMOSTATIC SHOWER VALVE - MATTE BLACK

SKU: 448234  
Code: SHHB9009



## FEATURES

Material: Brass  
Cartridge Type: Thermostatic

Required for Installation: Rough-in valve: SH6006 or SH6004

IAPMO, ASME A112.18.1/CSA B125.1, Massachusetts Accepted, LISTED ID: SHHB9009\*



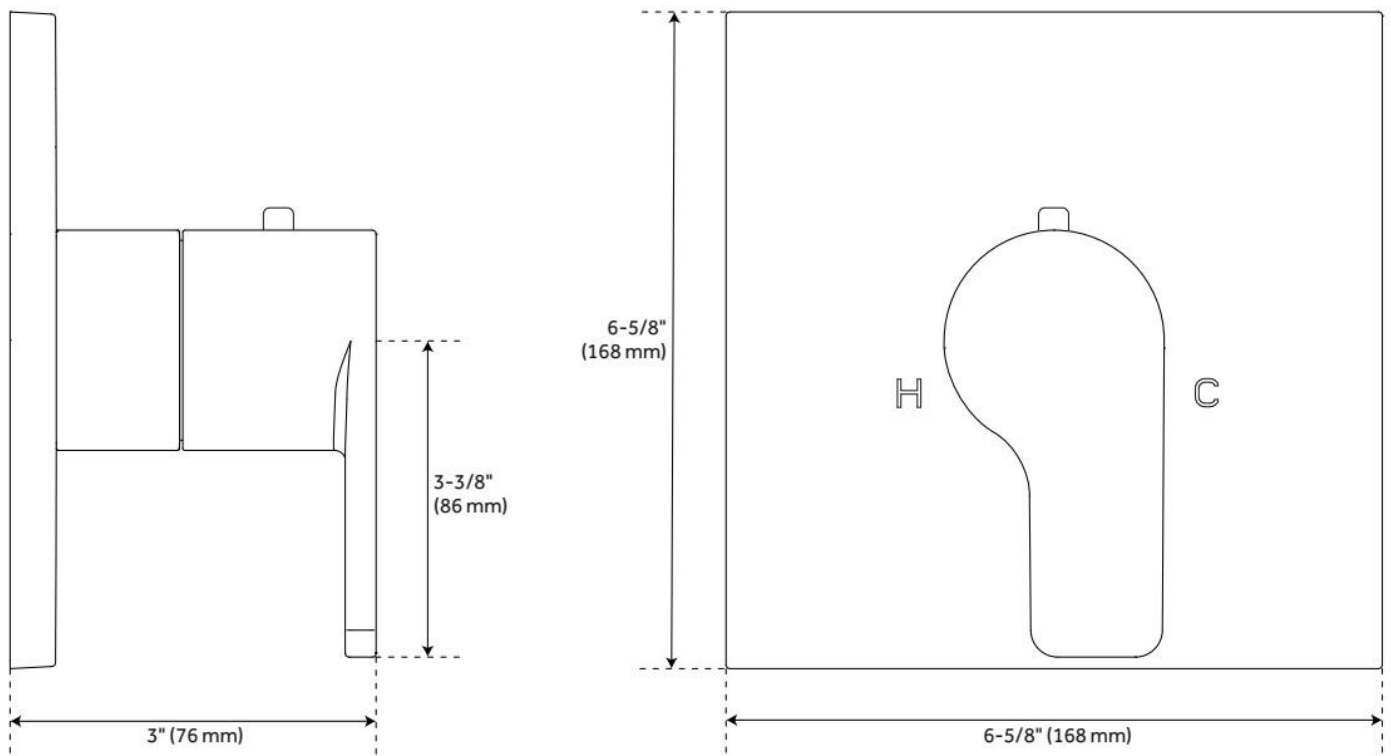
## ADDITIONAL FEATURES

- Metal handle.
- Temperature outlet factory preset to 104 degrees Fahrenheit.
- Temperature can be easily adjusted up and down to user's comfort level.
- Scald guard protection.
- High temperature limit stop.
- Thermostatic technology keeps shower temperature within 1 degree Celsius.
- For proper installation, requires use of volume control valve and trim.
- Wall thickness range: 1" to 1-3/4"
- Optional Rough-in Valve:
  - Bronze valve body.
  - Ceramic cartridge.
  - Integral water stops and check valve.
  - Recommended valve installation depth 1-5/8" to 2-3/8"

REVISED 10/22/2024

# HIBISCUS THERMOSTATIC SHOWER VALVE - MATTE BLACK

SKU: 448234  
Code: SHHB9009



REVISED 10/22/2024

# SQUARE FLUSH-MOUNT SWIVEL BODY SPRAY - MATTE BLACK

SKU: 449908  
Code: SHBS6040E



## FEATURES

Material: Brass  
Shower Head Swivel: Yes  
Shower Head Spray: Full  
Flow Rate: 2.5 gpm (9.5 L/min) @ 80 psi  
Connection Type: 1/2" IPS

IAPMO, ASME A112.18.1/CSA B125.1, Massachusetts Accepted, LISTED ID: SHBS6040E\*\*



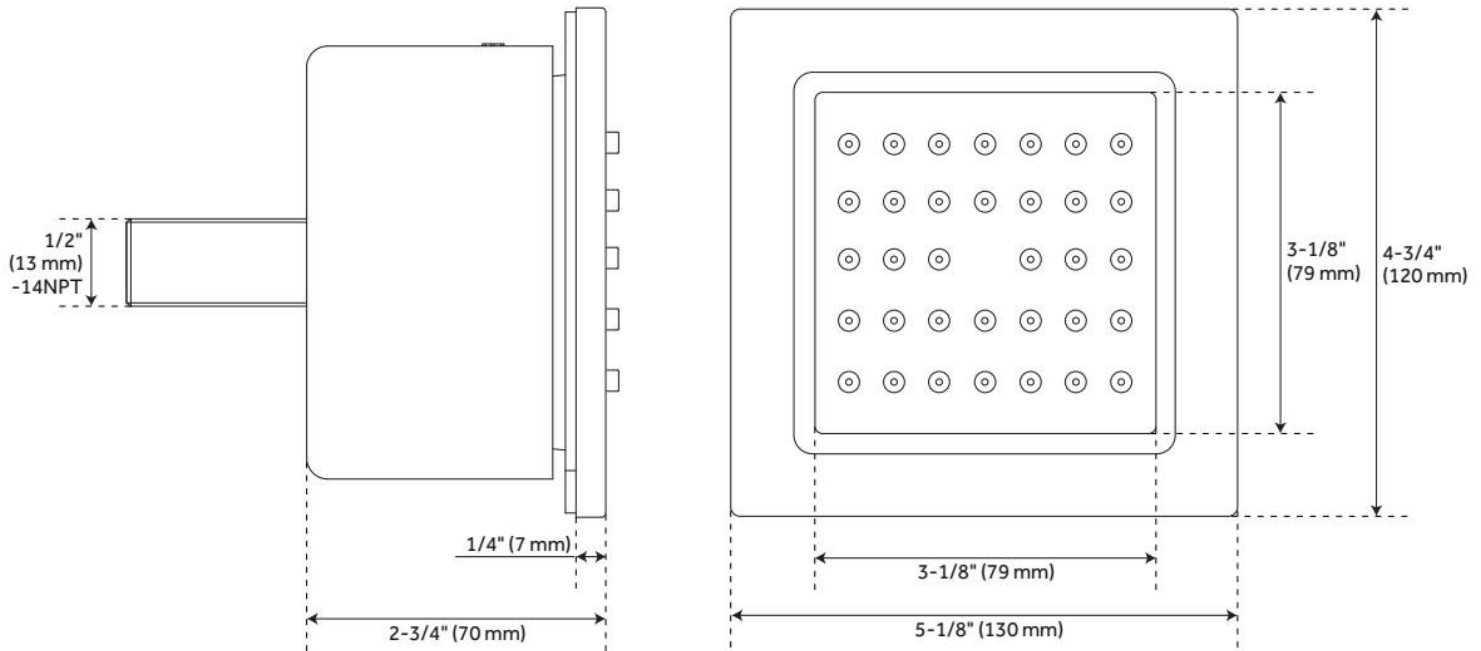
## ADDITIONAL FEATURES

- 1/2" Male connection.
- Jet surface area: 3-1/8"
- Surface depth: 1/4"

REVISED 10/22/2024

# SQUARE FLUSH-MOUNT SWIVEL BODY SPRAY - MATTE BLACK

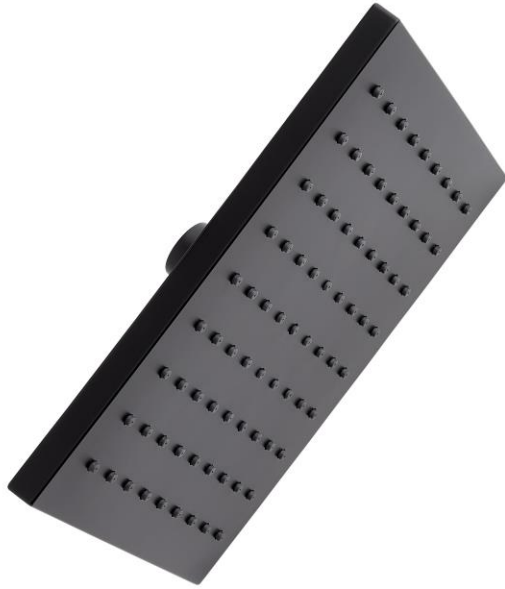
SKU: 449908  
Code: SHBS6040E



REVISED 10/22/2024

# RIGI SQUARE RAINFALL SHOWER HEAD - MATTE BLACK

SKU: 484998  
Code: SHSH2080G



## FEATURES

Material: ABS  
Shower Head Swivel: Yes  
Shower Head Spray: Rainfall  
Shower Head Flow Rate: 1.8 gpm (6.8 L/min) @ 80 psi  
Flow Rate: 1.8 gpm (6.8 L/min) @ 80 psi

ASME A112.18.1/CSA B125.1, CEC Listed, WaterSense by IAPMO, Massachusetts Accepted, LISTED ID: SHSH2080G\*



## ADDITIONAL FEATURES

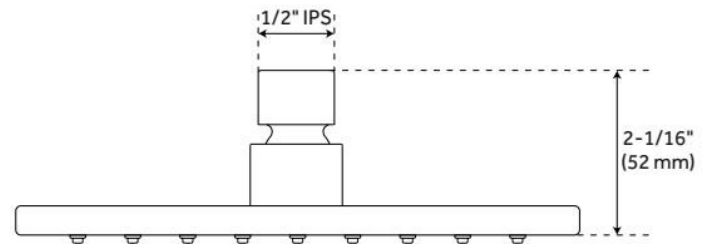
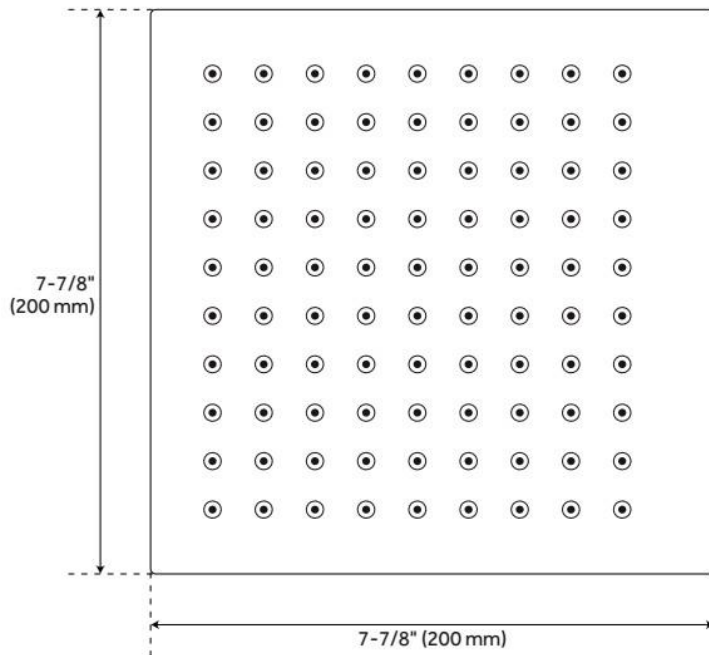
- Single function rainfall shower head.
- Brass ball joint & threaded connection.
- Easy clean rubber nozzles.
- Easy installation.

REVISED 10/22/2024



# RIGI SQUARE RAINFALL SHOWER HEAD - MATTE BLACK

SKU: 484998  
Code: SHSH2080G



REVISED 10/22/2024

# SWIVEL WATER SUPPLY ELBOW AND BRACKET FOR HAND SHOWER - MATTE BLACK

SKU: 478494

Code: SHWES2050

## FEATURES

Material: Metal, ABS

Connection Type: 1/2" NPT



CSA, ASME A112.18.1/CSA B125.1, Massachusetts Accepted, LISTED ID: SHWES2050xy



## ADDITIONAL FEATURES

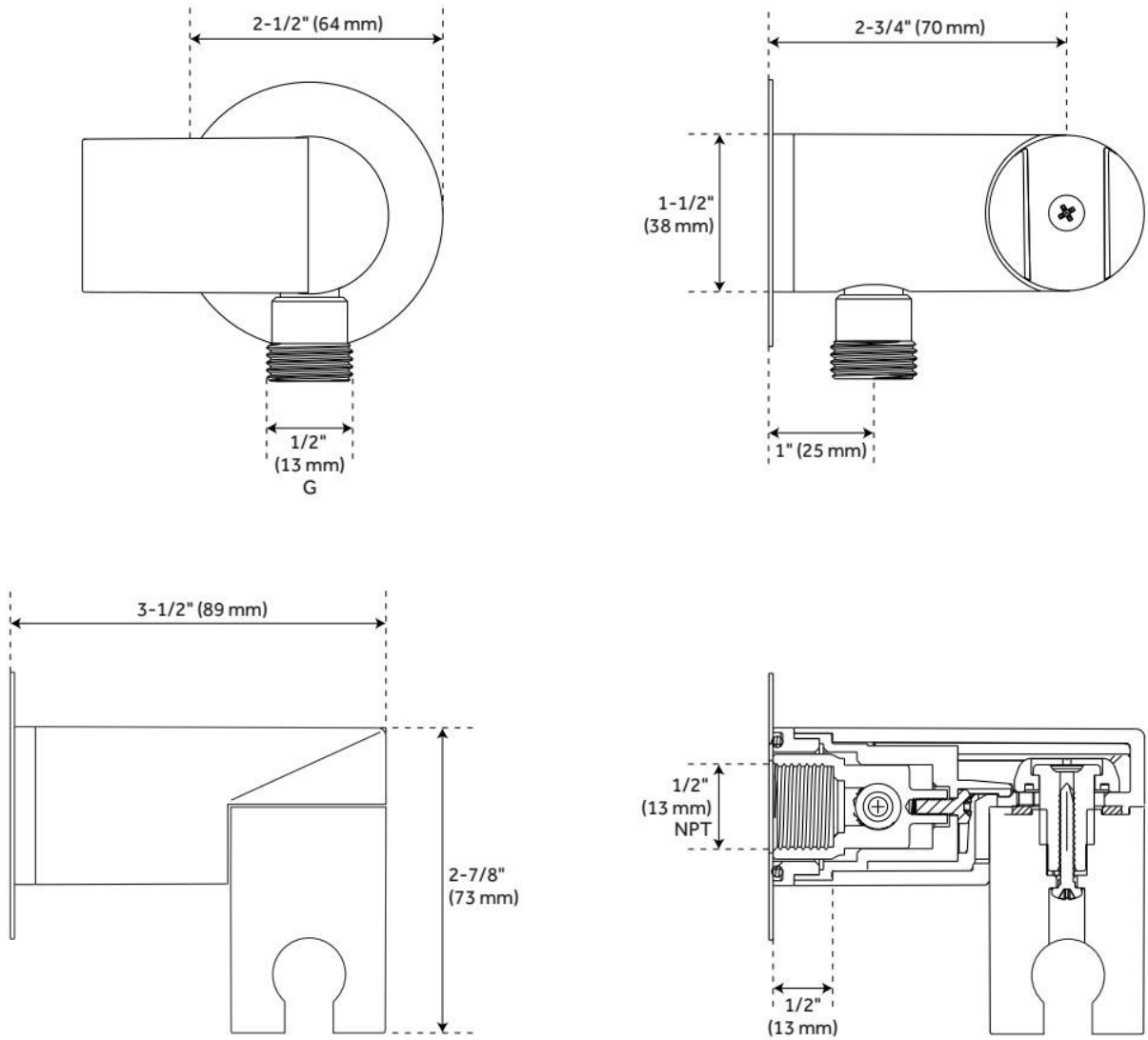
- 1/2" Female wall connection.
- 1/2" Male hose connection.
- Brass inlet/outlet, ABS body.

REVISED 10/22/2024

# SWIVEL WATER SUPPLY ELBOW AND BRACKET FOR HAND SHOWER - MATTE BLACK

SKU: 478494

Code: SHWES2050



REVISED 10/22/2024

# 3-WAY IN-WALL DIVERTER ROUGH-IN VALVE - 3/4"

SKU: 446519  
Code: SH6103

## FEATURES

Material: Brass  
Cartridge Type: Ceramic Disc



IAPMO, ASME A112.18.1/CSA B125.1, ASME A112.18.2/CSA B125.2, Massachusetts Accepted, LISTED ID: SH6103



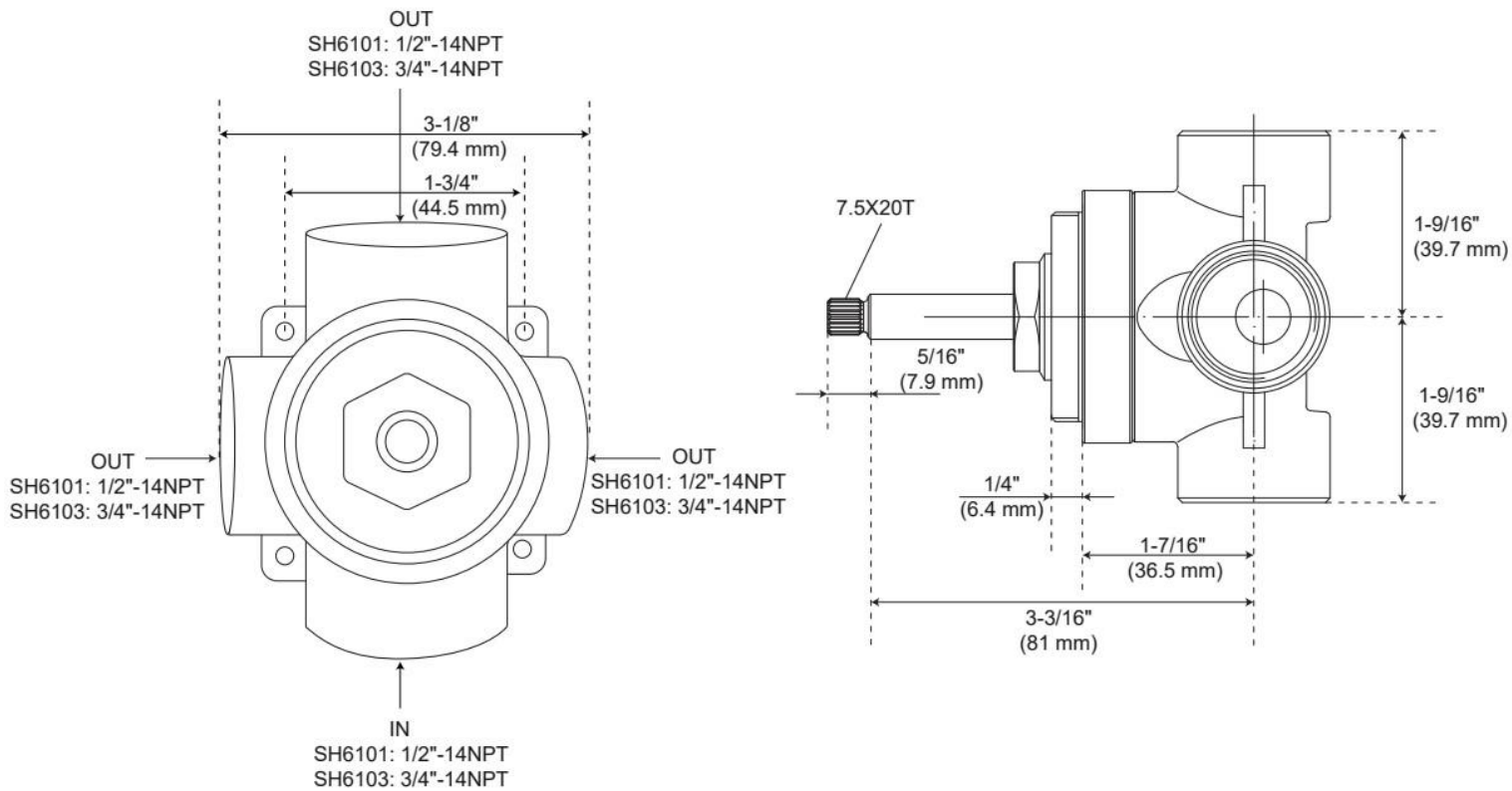
## ADDITIONAL FEATURES

- Six total settings allow for shared water flow between outlets, giving you the ability to use two functions at once.
- Ceramic cartridge.
- Available Single-Function Diverter Valve Cartridge restricts water flow to one outlet at a time.
- Not intended as a shut off valve.
- For installations only requiring 2 outlets, the 3rd outlet may be looped into one of the existing pipes.
- Compatible with Beasley, Berwyn, Boca Raton, Drea, Edenton, Elita, Greyfield, Gunther, Hibiscus, Key West, Lentz, Lexia, Pendleton, Pinecrest, Provincetown, Rigi, Sefina, Vassor and Vilamonte Diverter Trims.

REVISED 10/14/2024

# 3-WAY IN-WALL DIVERTER ROUGH-IN VALVE - 3/4"

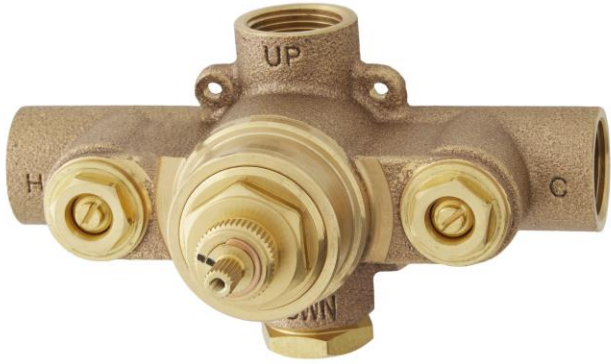
SKU: 446519  
Code: SH6103



REVISED 10/14/2024

# THERMOSTATIC ROUGH-IN VALVE - 3/4" CONNECTION

SKU: 447694  
Code: SH6006



## FEATURES

Material: Bronze  
Flow Rate: 18.2 gpm (68.9 L/min) @ 80 psi  
Connection Type: 3/4" NPT  
Cartridge Type: Thermostatic

IAPMO, ASME A112.18.1/CSA B125.1, Massachusetts Accepted, LISTED ID: SH6006



## ADDITIONAL FEATURES

- Compatible with Beasley, Berwyn, Boca Raton, Drea, Edenton, Elita, Greyfield, Gunther, Hibiscus, Key West, Lentz, Lexia, Pendleton, Pinecrest, Provincetown, Rigi, Sefina, Vassor and Vilamonte Thermostatic Valve Trim.
- For proper installation, requires use of volume control valve and trim.
- Bronze valve body.
- Factory-calibrated comfort setting at 104 degrees Fahrenheit.
- Water inlet stops and check valve.
- Thermostatic technology keeps shower temperature  $\pm 1$  degree Celsius.

REVISED 10/21/2024

# VOLUME CONTROL ROUGH-IN VALVE

SKU: 948546

Code: SH6020, SH6040



ASME A112.18.1/CSA B125.1, Massachusetts Accepted, LISTED ID: SH6020, SH6040



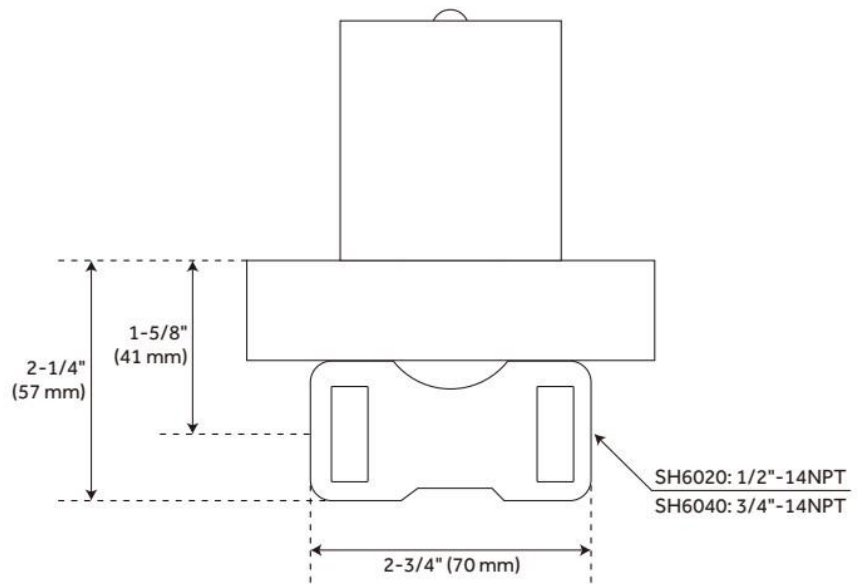
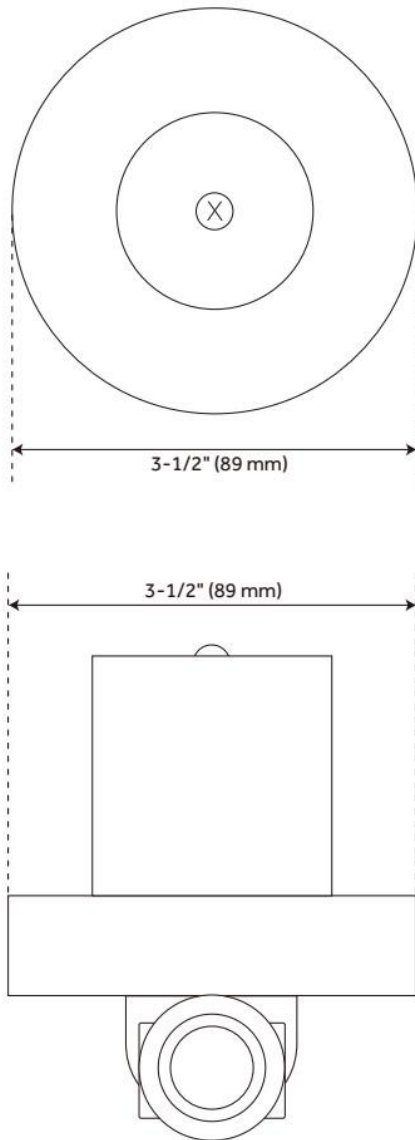
## ADDITIONAL FEATURES

- Intended for use with a thermostatic valve and trim.
- Bronze valve body.
- Ceramic cartridge.
- Compatible with Beasley, Berwyn, Boca Raton, Drea, Edenton, Elita, Greyfield, Gunther, Hibiscus, Key West, Lentz, Lexia, Pendleton, Pinecrest, Provincetown, Rigi, Sefina, Vassor and Vilamonte Volume Control Trims.

REVISED 11/22/2024

# VOLUME CONTROL ROUGH-IN VALVE

SKU: 948546  
Code: SH6020, SH6040



REVISED 11/22/2024