

60" ELMDALE CHARCOAL BLACK DOUBLE VANITY WITH OUTLETS - VANITY CABINET ONLY

SKU: 561790
Code: SH66260087



FEATURES

Material: Wood
Product Finish: Charcoal Black
Number of Doors: 5
Number of Drawers: 4
Soft-Close Hinges: Yes
Soft-Close Slides: Yes
Full Extension Drawer Slides: Yes
Dovetail Drawers: Yes
Adjustable Shelves: No
Electrical Outlet: Yes
Hardware Finish: Black
Hardware Material: Zinc
Built-In Adjusters: Yes

UL-962A, CAN/CSA-C22.2 No. 308, LISTED ID: BY213-D01



ADDITIONAL FEATURES

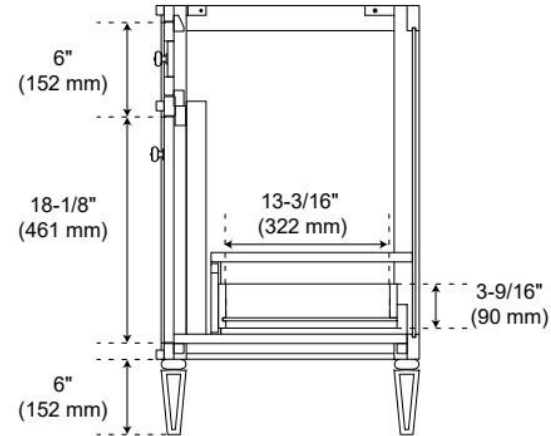
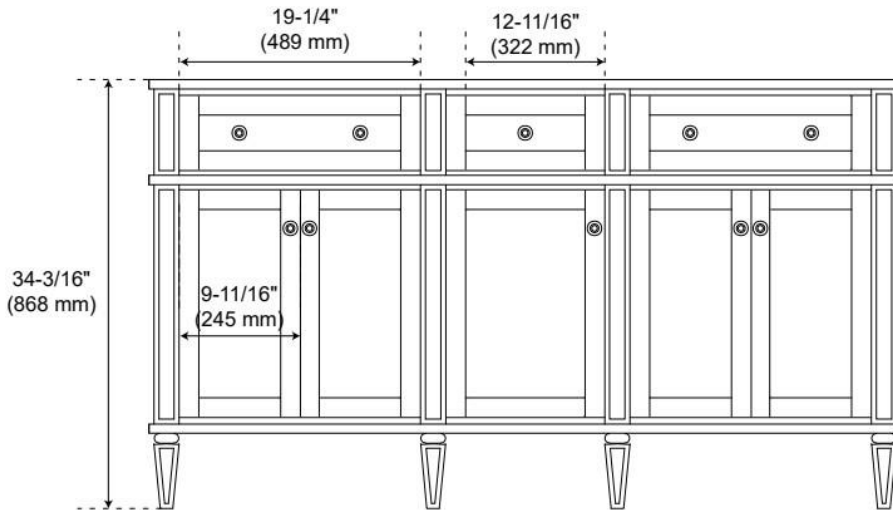
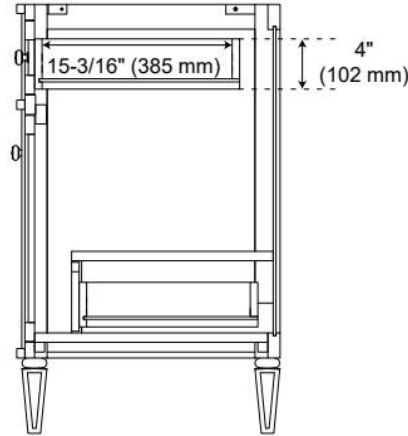
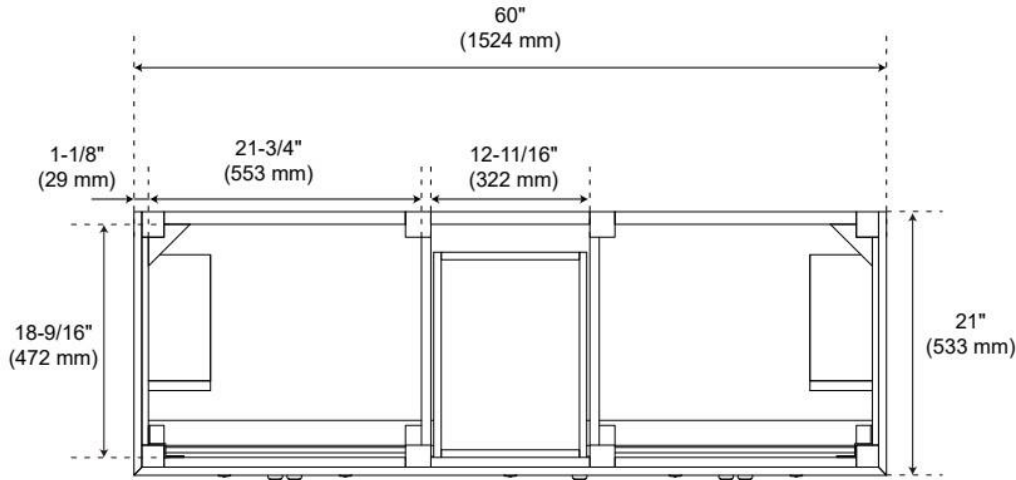
- Solid wood cabinet.
- Engineered wood panels.
- Two built-in power boxes feature two outlets and two USB ports.
- See Installation Instructions for directions to attach the vanity top and sink.
- All dimensions are ($\pm 1/2"$).

REVISED 3/23/2026

60" ELMDALE CHARCOAL BLACK DOUBLE VANITY WITH OUTLETS - VANITY CABINET ONLY

SKU: 561790

Code: SH66260087



REVISED 3/23/2026