

WOODROW TUB WALL-MOUNT FAUCET AND HAND SHOWER

SKU: 900478

Code: SH329058, SH330831



FEATURES

Material: Metal construction for strength and durability

Installation Type: Tub Wall Mount

Flow Rate: 6.8 gpm (25.7 L/min) @ 60 psi

Hand Shower Flow Rate: 1.8 gpm (6.8 L/min) @ 80 psi

Spray Type: Full

Cartridge Type: Ceramic Disc

Swivel Spout: No

ASME A112.18.1/CSA B125.1



ADDITIONAL FEATURES

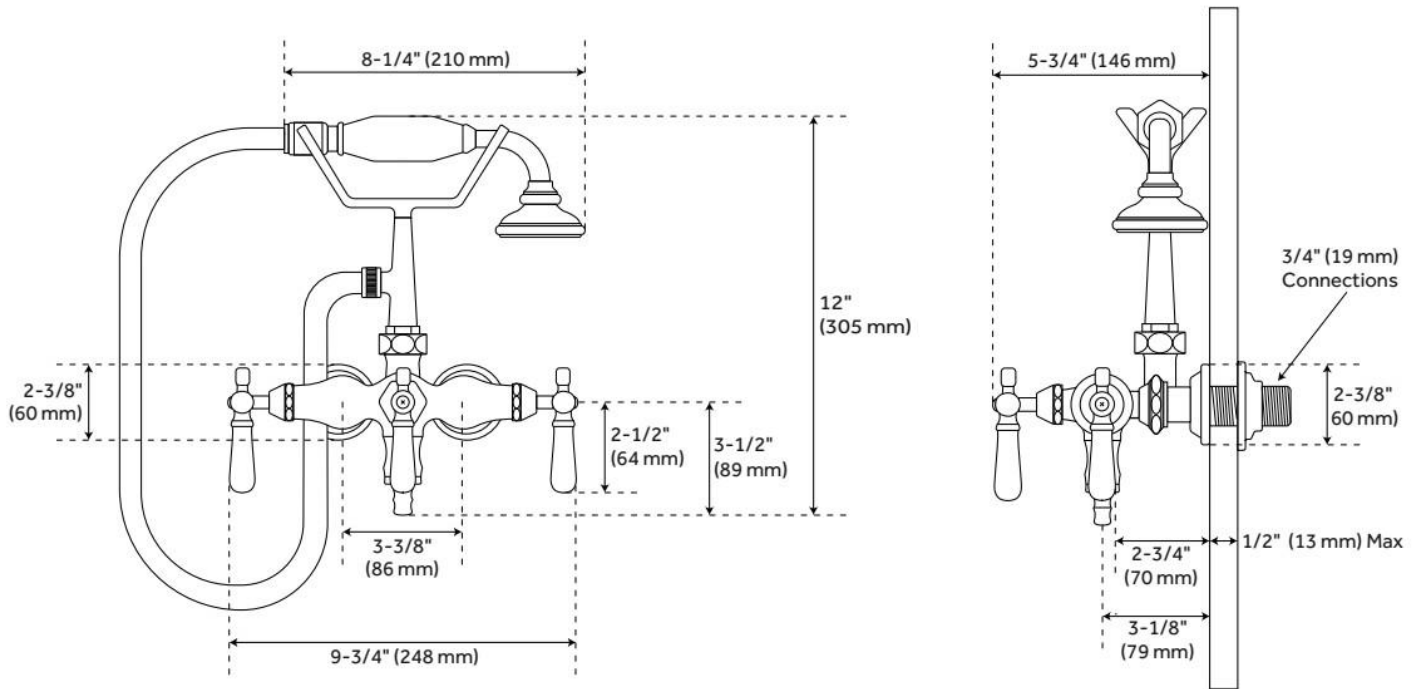
- 3 3/8" spout length.
- Construction with high quality materials.

REVISED 5/9/2024

WOODROW TUB WALL-MOUNT FAUCET AND HAND SHOWER

SKU: 900478

Code: SH329058, SH330831



REVISED 5/9/2024