

LOW PATTERN SURE GRIP FLANGE

SKU: 902337

Code: SH272, SH271, SH484081, SH484082, SH485508, SH485507



WaterSense by IAPMO



ADDITIONAL FEATURES

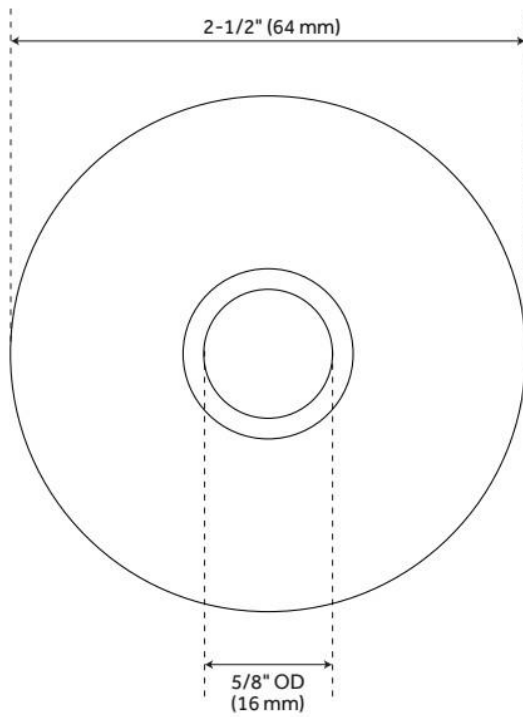
- Choose from 5/8" OD or 1/2" IPS.
- For use with standard shower arms, select 1/2".

REVISED 6/3/2024

LOW PATTERN SURE GRIP FLANGE

SKU: 902337

Code: SH272, SH271, SH484081, SH484082, SH485508, SH485507

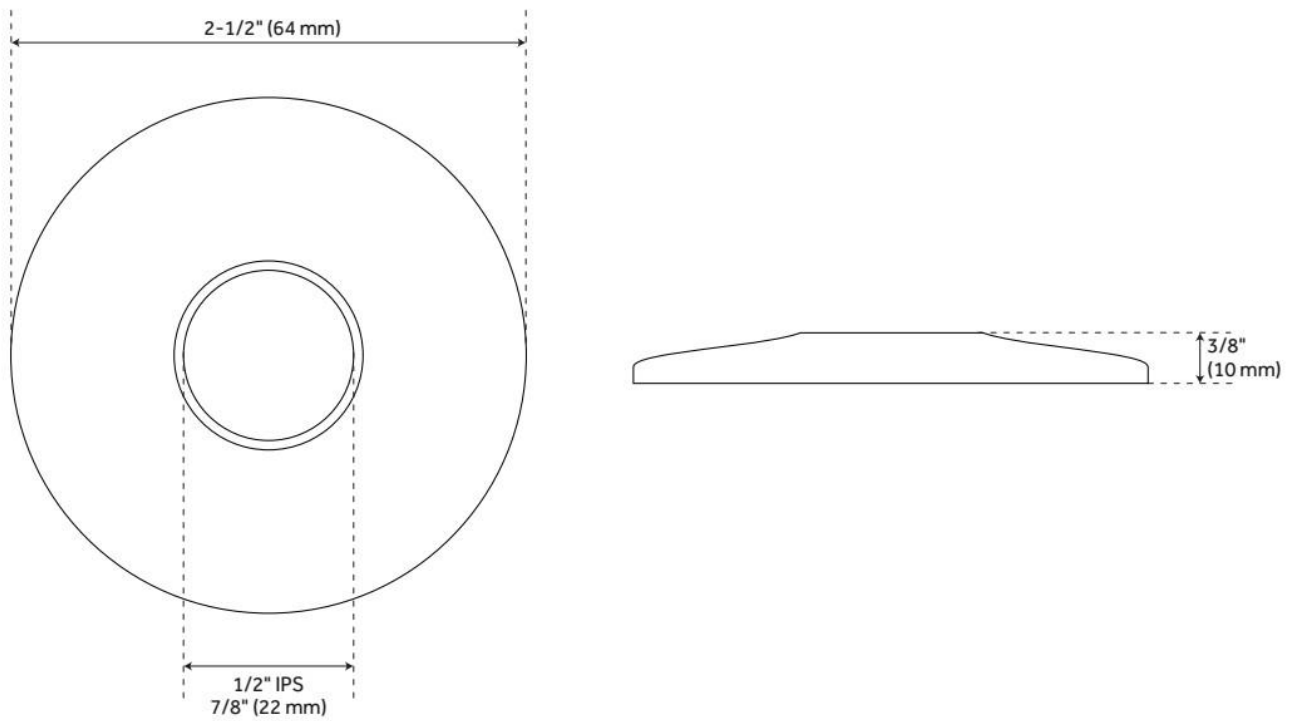


REVISED 6/3/2024

LOW PATTERN SURE GRIP FLANGE

SKU: 902337

Code: SH272, SH271, SH484081, SH484082, SH485508, SH485507



REVISED 6/3/2024