

LARGE PORCELAIN CROSS HANDLES

SKU: 904566

Code: SH111424, SH329501, SH329502, SH329503



FEATURES

Material: Porcelain
Length: 3-1/4"
Width: 3-1/4"
Height: 1-7/8"
Depth: 1-7/8"
Drain Included: No
Handle Type: Cross
Spline Count: 16
Kitchen Faucet Holes: 1
Hot and Cold Indicators: Yes

REVISED 3/17/2023

LARGE PORCELAIN CROSS HANDLES

SKU: 904566

Code: SH111424, SH329501, SH329502, SH329503



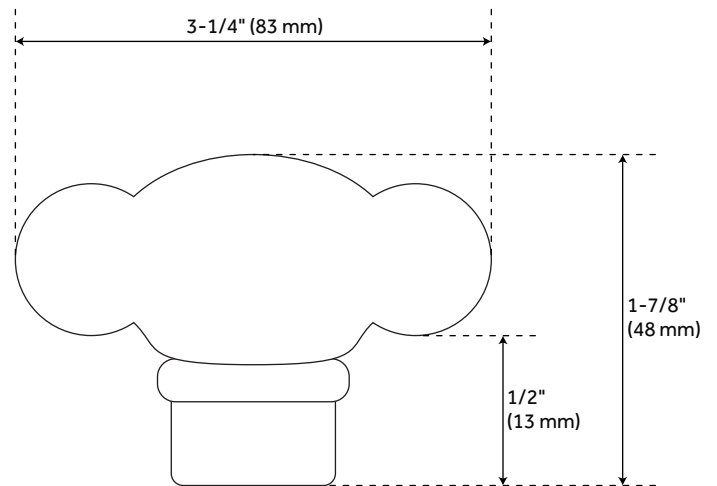
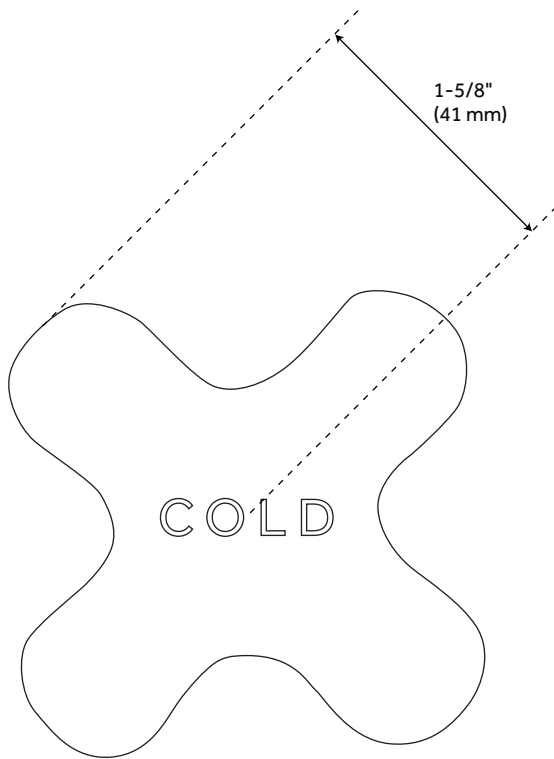
ADDITIONAL FEATURES

- Porcelain handles with metal shanks.
- Marked "HOT" and "COLD".
- Sold as a pair.
- Perfect for use as replacement handles.

REVISED 3/17/2023

LARGE PORCELAIN CROSS HANDLES

SKU: 904566



All dimensions and specifications are nominal and may vary. Use actual products for accuracy in critical situations.