

DELILAH WALL-MOUNT FAUCET - CROSS HANDLES

SKU: 906111

Code: SH214890, SH214892, SH214891



FEATURES

Material: Metal construction for strength and durability

Installation Type: Wall Mount

Flow Rate: 1.8 gpm (6.8 L/min) @ 60 psi

Cartridge Type: Ceramic Disc

Swivel Spout: Yes

ASME A112.18.1/CSA B125.1, NSF/ANSI 61, NSF/ANSI/CAN 61, CEC Listed, Massachusetts Accepted, LISTED ID: 214890, 214892, 214891



ADDITIONAL FEATURES

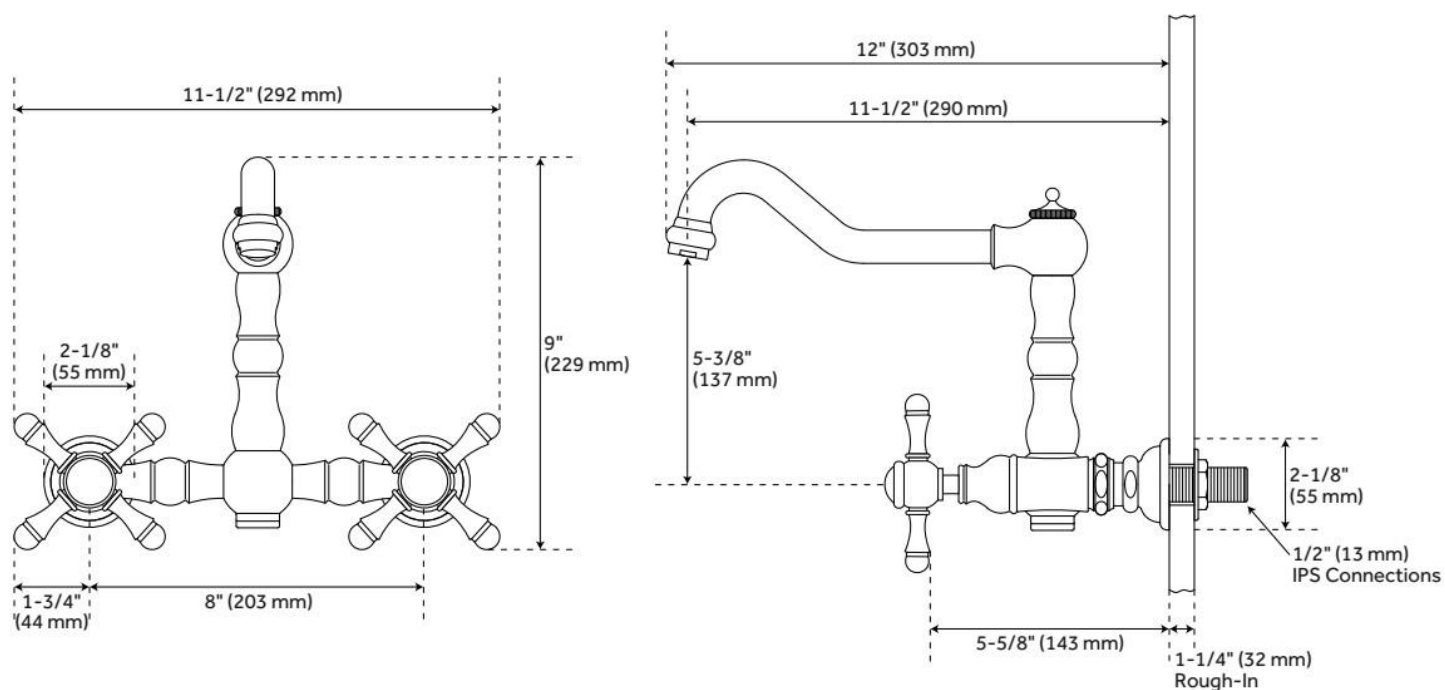
- Made of high quality materials.
- Metal cross handles.
- Ceramic disc cartridges.

REVISED 5/10/2024

DELILAH WALL-MOUNT FAUCET - CROSS HANDLES

SKU: 906111

Code: SH214890, SH214892, SH214891



REVISED 5/10/2024