

# 32" WORKSPACE UNDERMOUNT SINK - BRUSHED STAINLESS STEEL

SKU: 948496

Code: SHWORK1BZ



## FEATURES

Length: 32"

Width: 18"

Height: 10"

Mounting Hardware Included: Yes

Number of Basins: 1

Sink Installation: Undermount

Product Color: Stainless Steel

Faucet Centers: No Faucet Hole

Basin Length: 29-1/2"

Basin Width: 16-1/2"

Fits Drain Hole Size: 3-1/2"

Interior Treatment: Smooth

Metal Gauge/Thickness: 16 Gauge

Drain Included: Optional

Faucet Included: No

Sink Material: Stainless Steel

Basin Configuration: Single

Water Depth to Rim: 10"

Faucet Holes: No Faucet Hole

REVISED 3/15/2023

# 32" WORKSPACE UNDERMOUNT SINK - BRUSHED STAINLESS STEEL

SKU: 948496

Code: SHWORK1BZ



## ADDITIONAL FEATURES

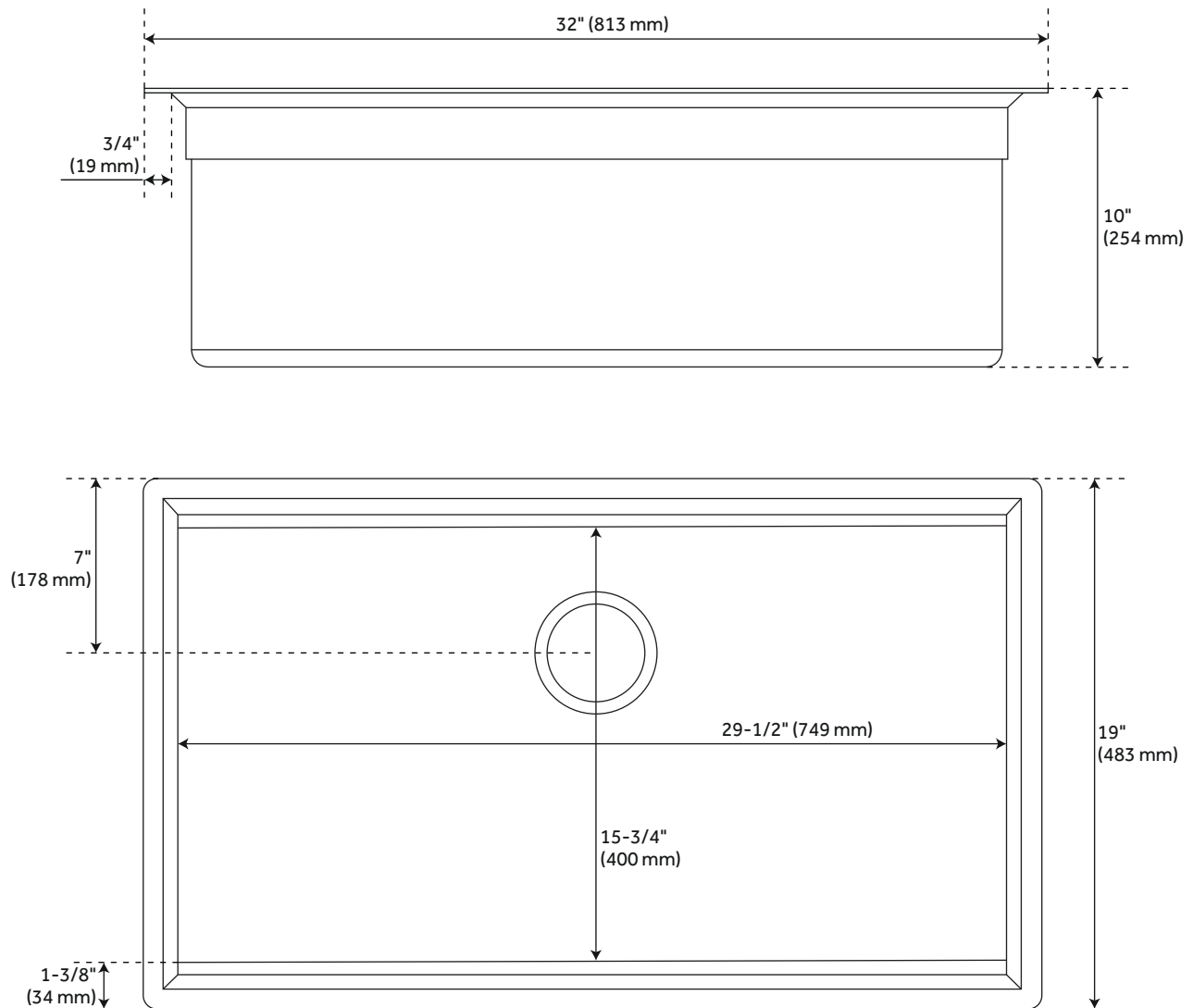
- Type 304 stainless steel.
- It is recommended to have the sink at the job site before cutting cabinet or counter top.
- Sound absorption pads on the underside of sink.
- Has an undercoating to prevent condensation buildup.
- Included a flat colander plate, bottom basin grid and wood cutting board.
- Optional Workspace Accessories:
  - Workspace Metal Rinse Basket: Contracted dimensions: 15-3/4" L x 10-3/4" W x 4" H. Extended dimensions: 21-3/4" L x 10-3/4" W x 4" H.
  - Workspace Rolling Mat Drain Board: Overall dimensions: 16-3/8" L x 12-5/8" W. Dimensions when rolled: 16-3/8" L x 2-3/8" W.
  - Workspace Plastic Rinse Basket: Contracted dimensions: 13-3/8" L x 9" W x 3-3/4" H. Extended dimensions: 18-1/2" L x 9" W x 3-3/4" H.

REVISED 3/15/2023

# 32" WORKSPACE UNDERMOUNT SINK - BRUSHED STAINLESS STEEL

SKU: 948496

SHWORK1BZ

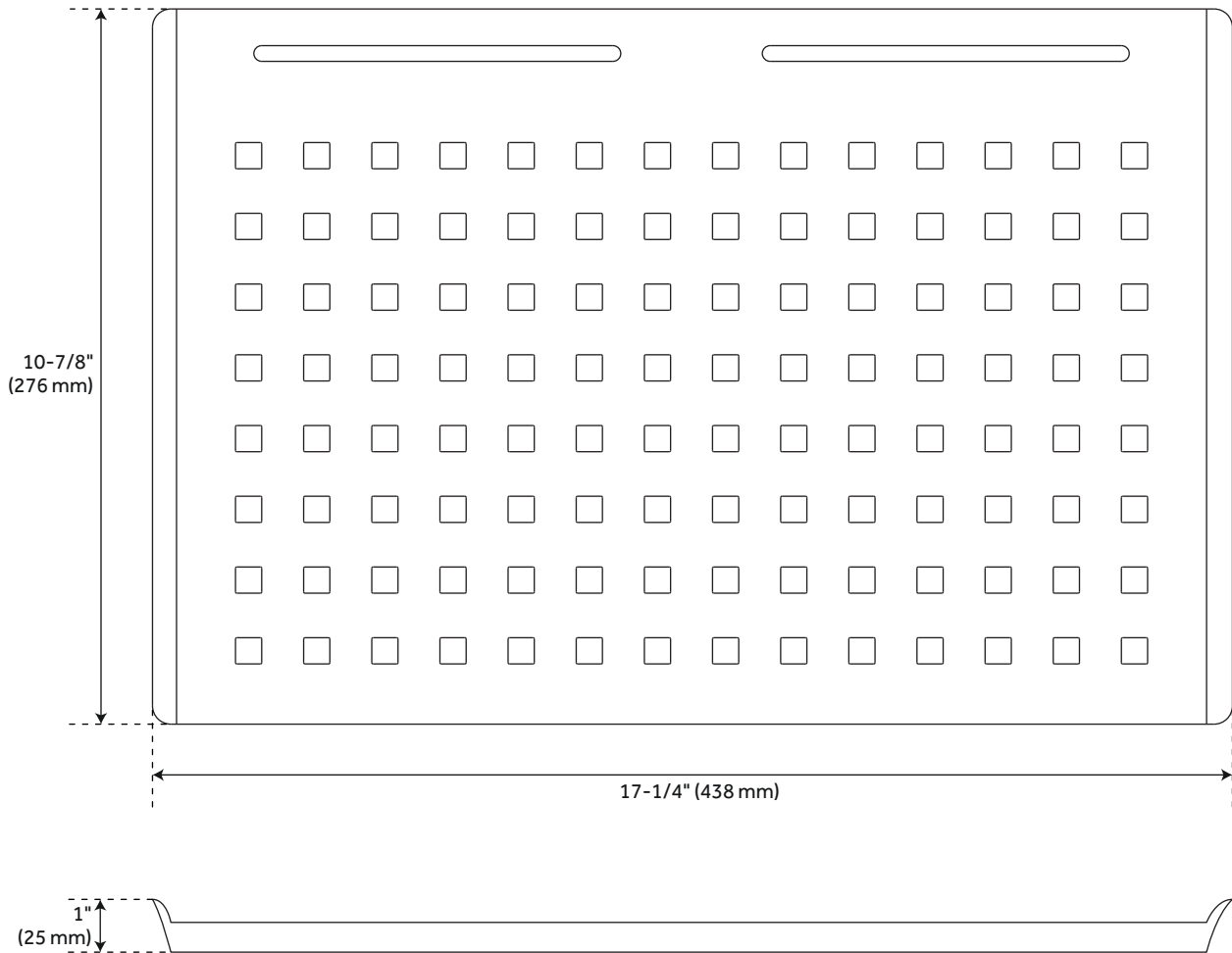


All dimensions and specifications are nominal and may vary. Use actual products for accuracy in critical situations.

# COLANDER

SKU: 948496

SHWORKMC

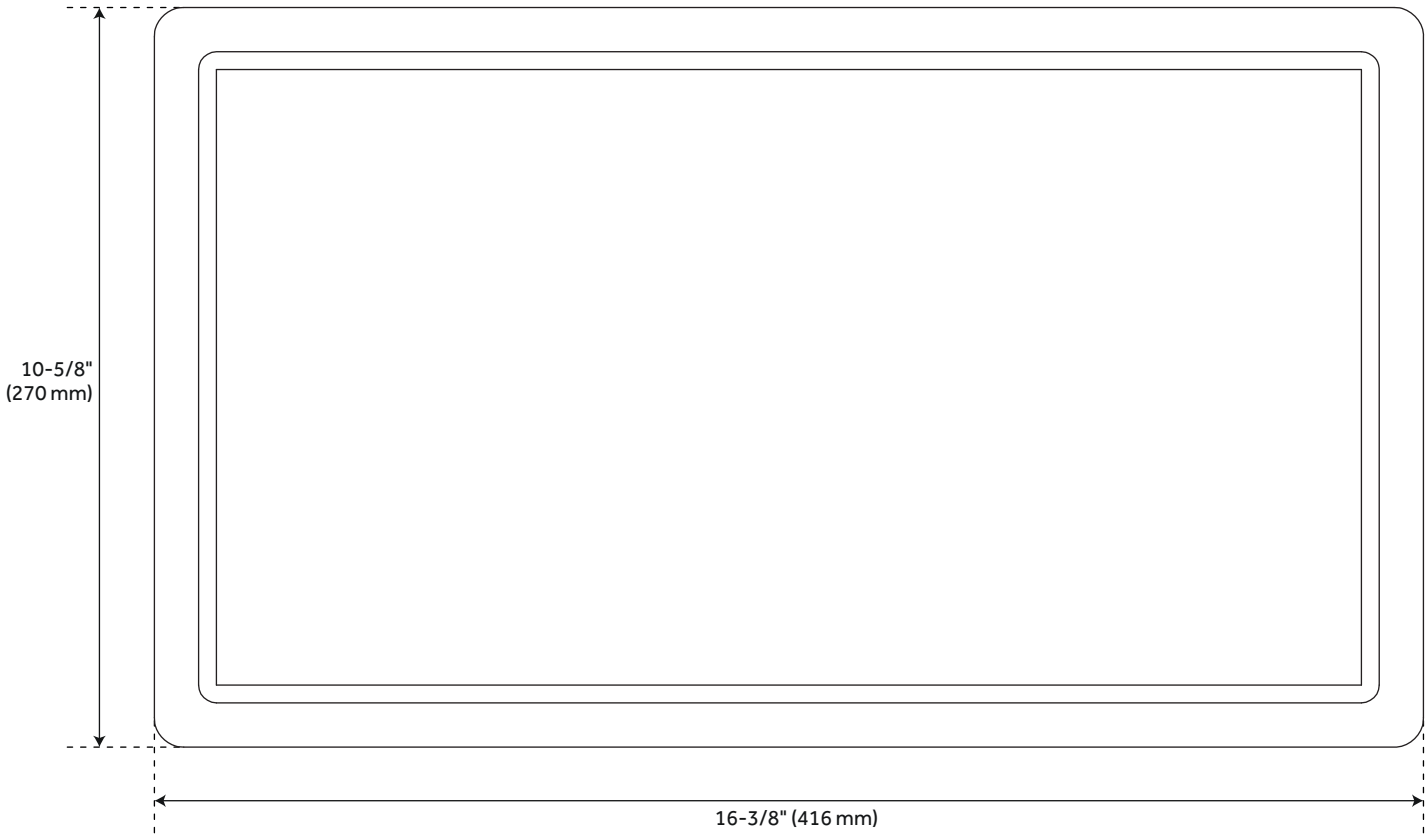


All dimensions and specifications are nominal and may vary. Use actual products for accuracy in critical situations.

# CUTTING BOARD

SKU: 948496

SHWORKCB

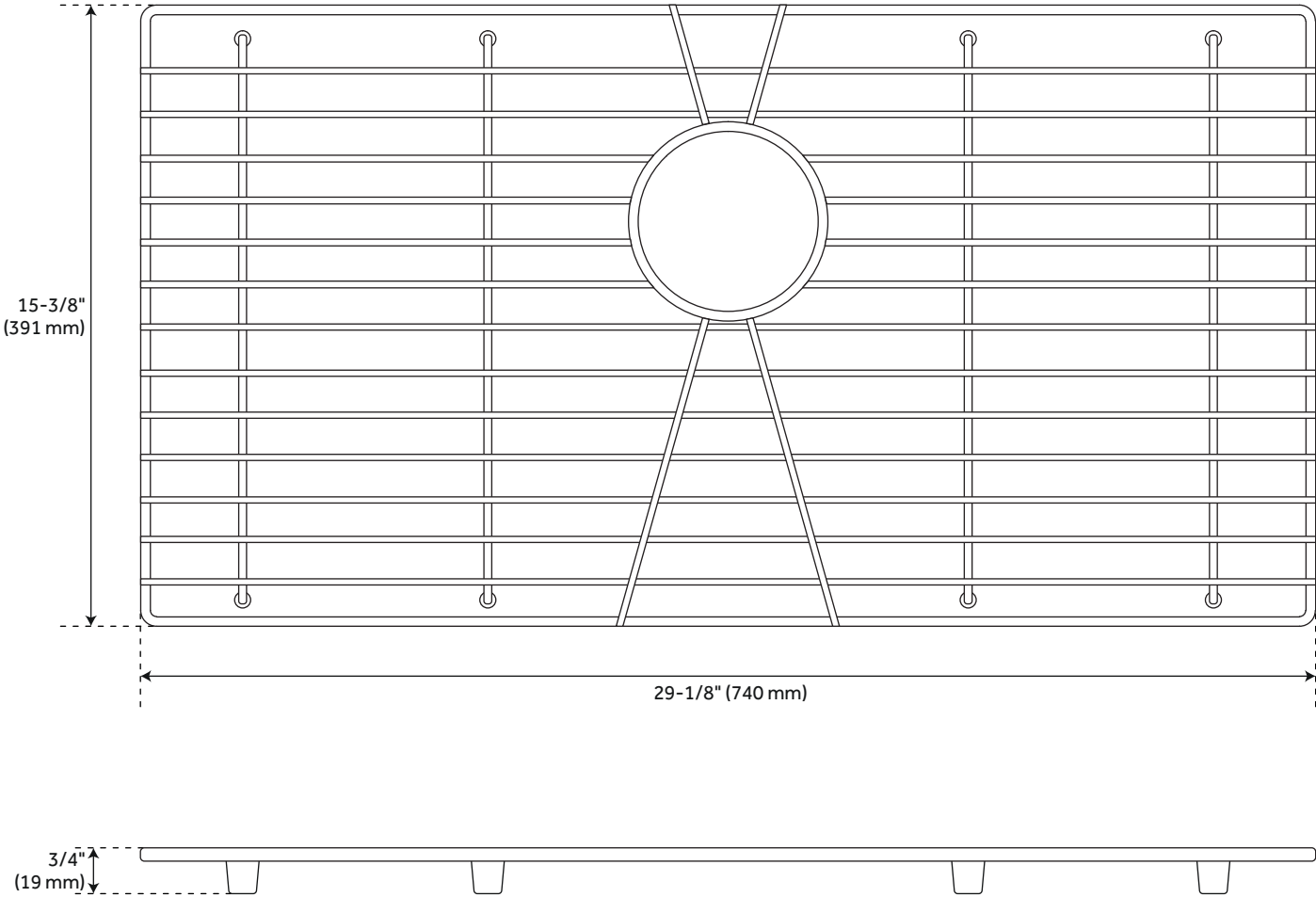


All dimensions and specifications are nominal and may vary. Use actual products for accuracy in critical situations.

# SINK GRID

SKU: 948496

SHWORKGR

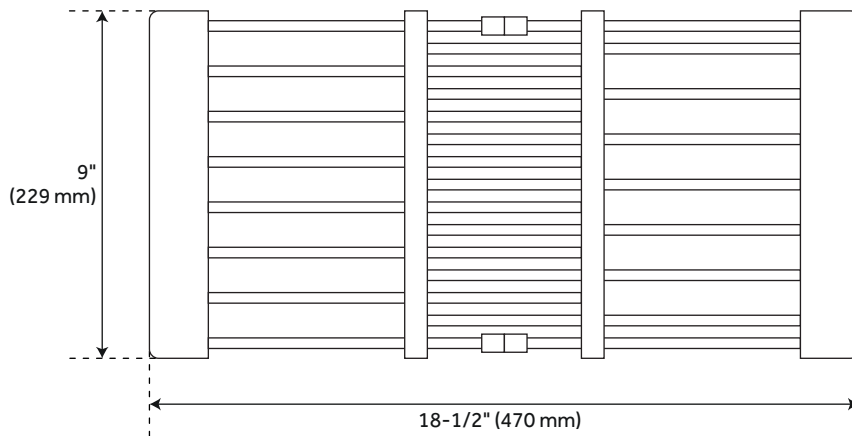
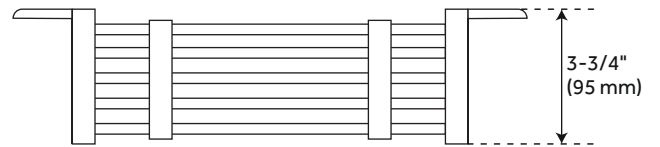
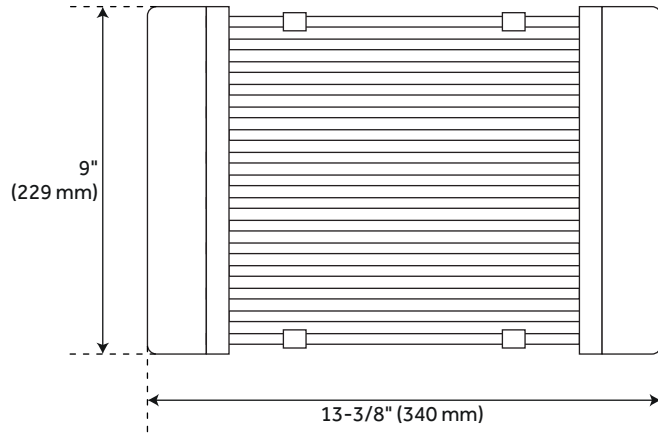


All dimensions and specifications are nominal and may vary. Use actual products for accuracy in critical situations.

# PLASTIC RINSE BASKET

SKU: 948496

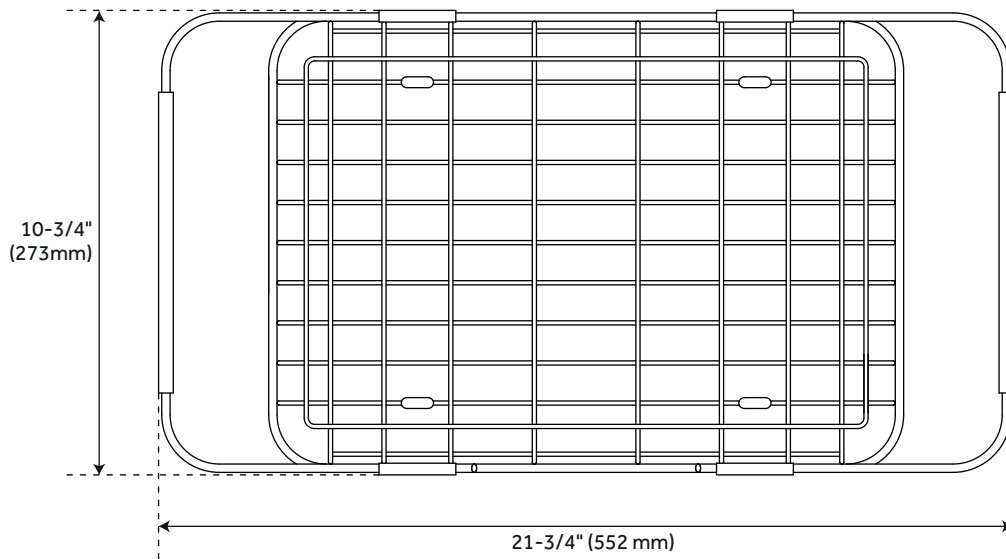
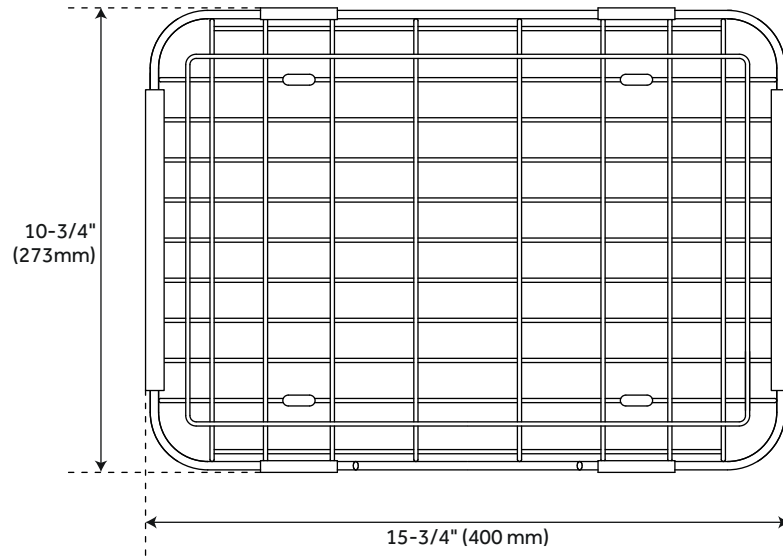
SHWORKPB



All dimensions and specifications are nominal and may vary. Use actual products for accuracy in critical situations.

# METAL RINSE BASKET

SKU: 948496  
SHWORKMBN



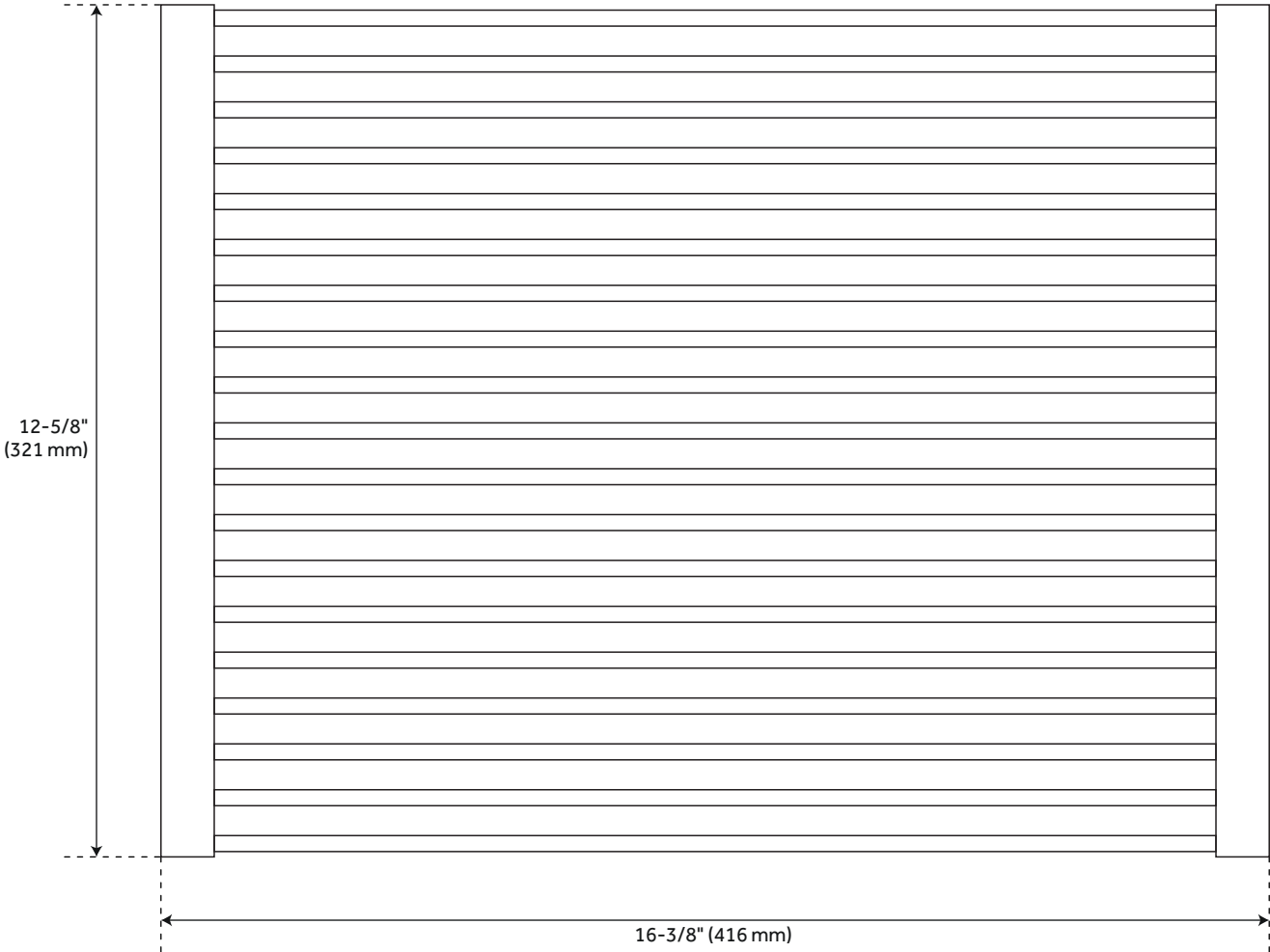
All dimensions and specifications are nominal and may vary. Use actual products for accuracy in critical situations.



# ROLLING MAT DRAIN BOARD

SKU: 948496

SHWORKRM



All dimensions and specifications are nominal and may vary. Use actual products for accuracy in critical situations.