

49" ABBEY HAMMERED COPPER SLIPPER CLAWFOOT SOAKING TUB

SKU: 908236-49

Code: SH479927, SH476064, SH476065, SH476066, SH476070



CSA B45.12/IAPMO Z402



FEATURES

Installation Type: Freestanding
Design: Traditional
Product Finish: Antique Copper Patina
Material: Copper
Length: 49"
Width: 31-1/4"
Height: 36-3/4"
Water Depth To Overflow: 24-1/2"
Exterior Treatment: Hammered
Interior Treatment: Hammered
Metal Gauge/Thickness: 16 Gauge
Drain Included: Optional
Faucet Included: No
Shape: Oval
Water Depth to Rim: 27-1/4"
Feet Material: Copper
Tub Overflow: Yes
Integral Drain & Overflow: No
Tub Material: Copper
Tub Interior Length: 33-1/2"
Tub Interior Width: 20"
Feet Type: Lion Paw
Tap Deck: No
Faucet Drillings: Roll Top - No Drillings
Water Capacity (Gallons): 72
Built-In Adjusters: Yes
Tub Weight Uncrated (lbs): 131

REVISED 1/19/2024

49" ABBEY HAMMERED COPPER SLIPPER CLAWFOOT SOAKING TUB

SKU: 908236-49

Code: SH479927, SH476064, SH476065, SH476066, SH476070



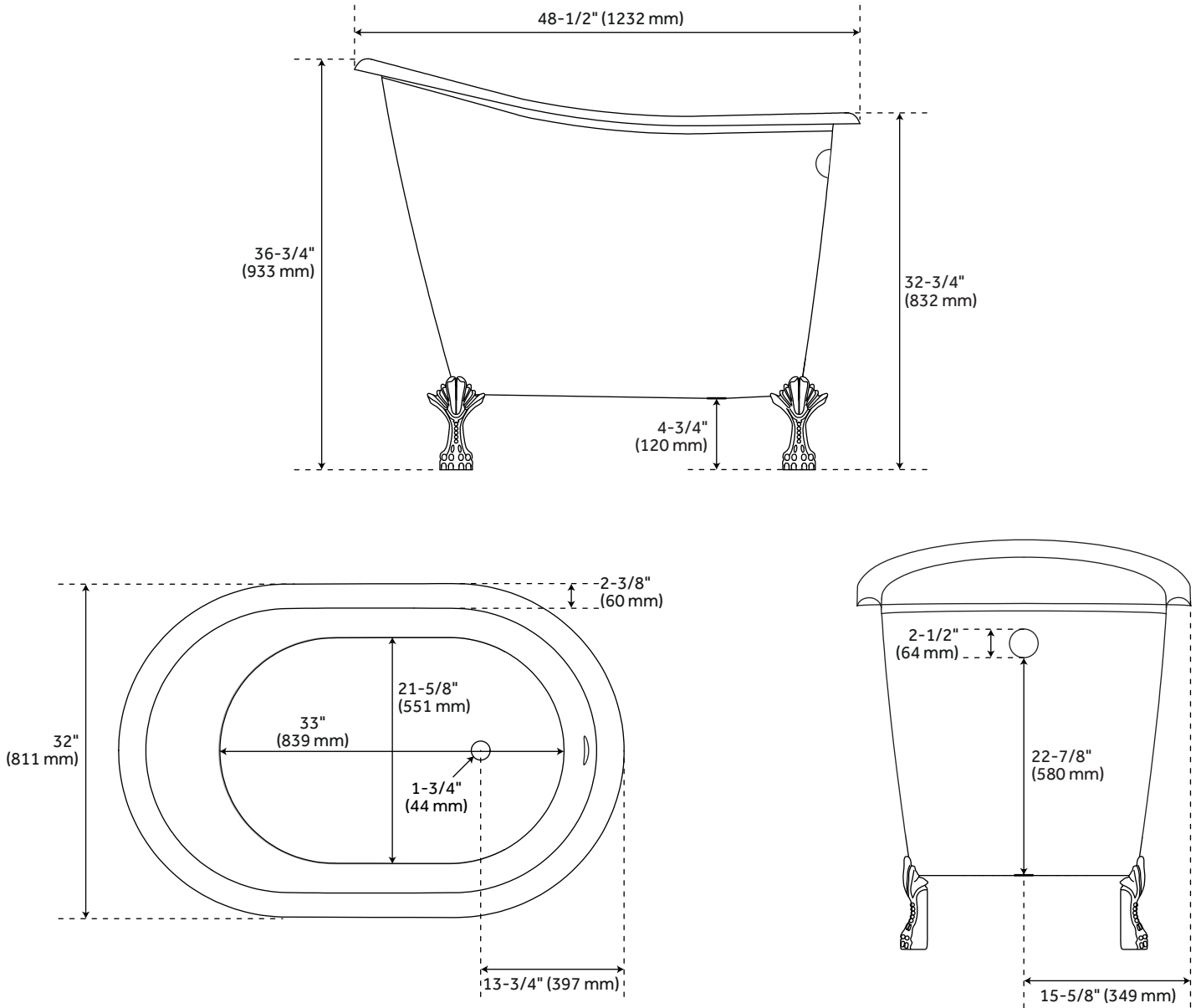
ADDITIONAL FEATURES

- Dimensions: 48-1/2" L x 31-1/4" W (front to back) x 36-3/4 -32-3/4" H ($\pm 1"$).
- Hand-polished finish.
- Patina applied using French hot process, so color is ingrained in the copper.
- Copper tubs are handmade and therefore unique. Expect slight variations in finish and dimensions ($\pm 1"$).
- Overflow includes Extended Pop-Up Drain with Swivel Head, Daisy Wheel overflow, which remain open to allow water into the drain.
- To keep the tub in premium condition, it is recommended to not use anything abrasive for bathing or cleaning, including products like Epsom salts, bristle brushes, and harsh soaps.

REVISED 1/19/2024

49" ABBEY HAMMERED COPPER SLIPPER CLAWFOOT SOAKING TUB - OVERFLOW

SKU: 908236-49



All dimensions and specifications are nominal and may vary. Use actual products for accuracy in critical situations.