

# SEBASTIAN TUB-WALL MOUNT FAUCET WITH VARIABLE CENTERS AND HAND SHOWER - CROSS

SKU: 909036

Code: SH249082, SH249083, SH249084



## FEATURES

Material: Metal construction for strength and durability

Installation Type: Tub Wall Mount

Flow Rate: 6.8 gpm (25.7 L/min) @ 80 psi

Hand Shower Flow Rate: 1.8 gpm (6.8 L/min) @ 80 psi

Spray Type: Full

Cartridge Type: Ceramic Disc

Swivel Spout: No

LISTED ID: SH441015\*



## ADDITIONAL FEATURES

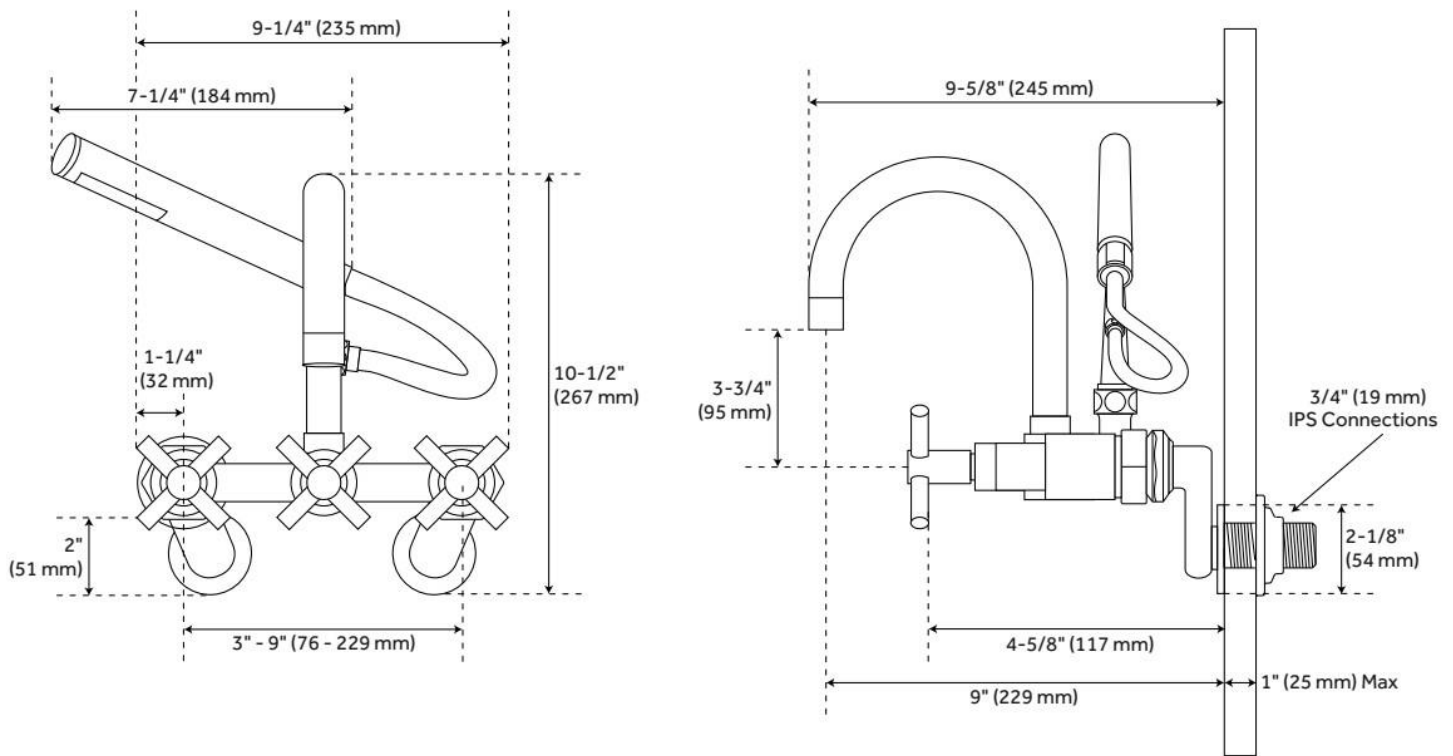
- Constructed with high quality materials.
- Hand shower wand measures 7-1/4" long.
- Contemporary metal cross handles.
- Faucet can be installed with variable centers from 3" - 9".

REVISED 5/14/2024

# SEBASTIAN TUB-WALL MOUNT FAUCET WITH VARIABLE CENTERS AND HAND SHOWER - CROSS

SKU: 909036

Code: SH249082, SH249083, SH249084



REVISED 5/14/2024

# SWING ARM COUPLER - BRUSHED NICKEL

SKU: 113142  
Code: SH113142

## FEATURES

Material: Brass



IAPMO, ASME A112.18.1/CSA B125.1, LISTED ID: SH441015\*



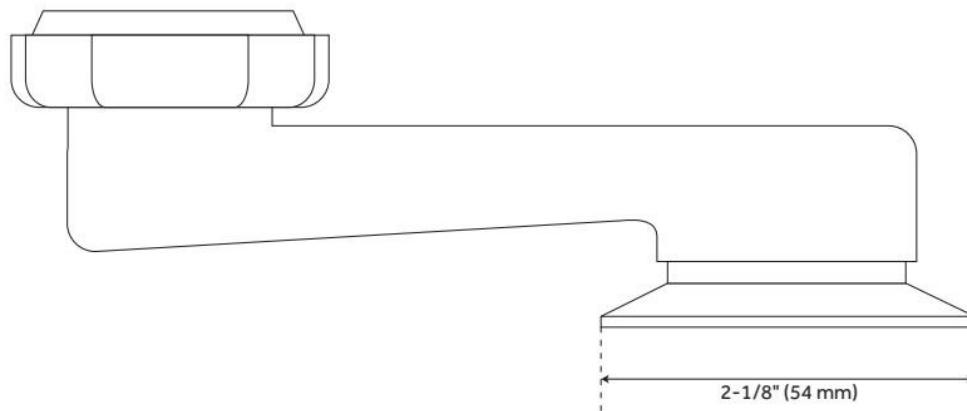
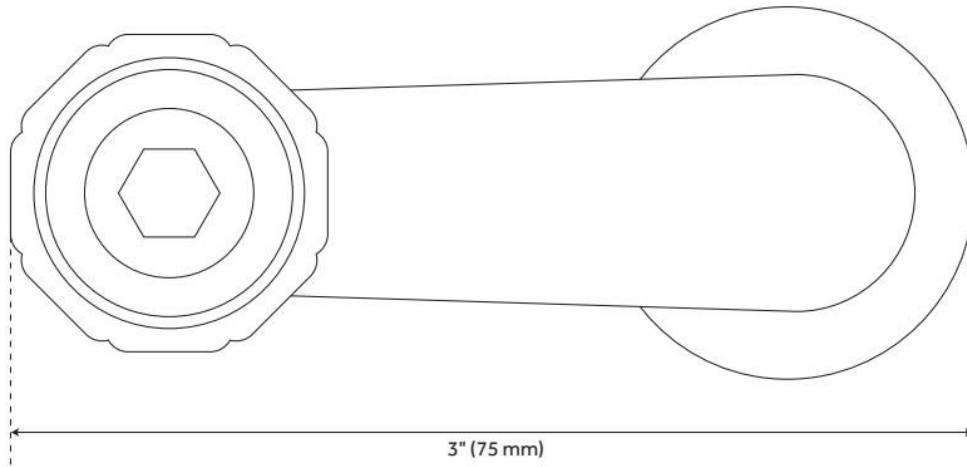
## ADDITIONAL FEATURES

- Swing arms can be used to adapt most faucets to fit tubs drilled on 9" centers or less.
- Can also be used to install wall-mount faucets.
- Allow 4 1/2" centers if used as wall mount.
- Sold in pairs.
- 2-1/8" base.

REVISED 5/14/2024

# SWING ARM COUPLER - BRUSHED NICKEL

SKU: 113142  
Code: SH113142



REVISED 5/14/2024